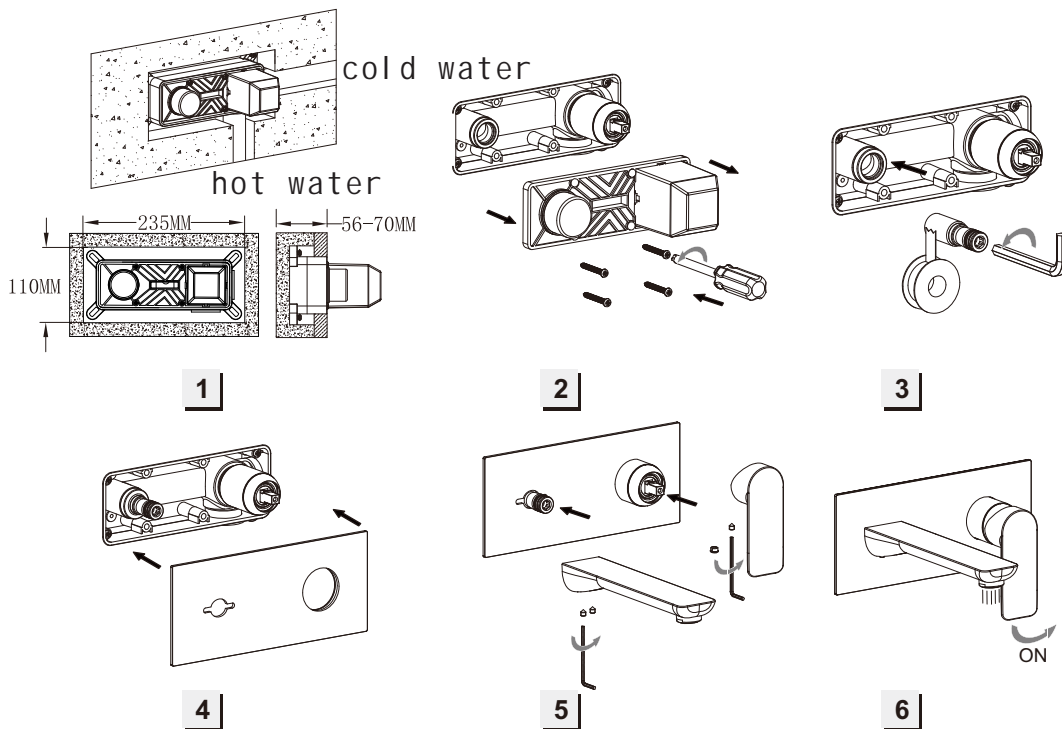


Product installation instructions

M-6002

Installation steps refer to Fig



Installation steps :

1. Install the buried wall valve body according to the hole size and embedded depth. Note whether the connecting hot and cold water road is normal.
2. After the wall construction, remove the surface cover of the embedded box.
3. Install the outlet water joint, and wrap the appropriate raw material belt around the thread connection position. Attach the connector to the main body with the tool.
4. Install the panel and align the decorative sleeve at the panel hole. Uniform force and fit the panel to the wall.
5. Install the outlet nozzle to the connector, lock the bottom screw, install the handle to the valve core, and lock the screw.
6. Turn the handle to observe whether the water exits normally. Check the connections for water leaks. Here, the installation is complete.

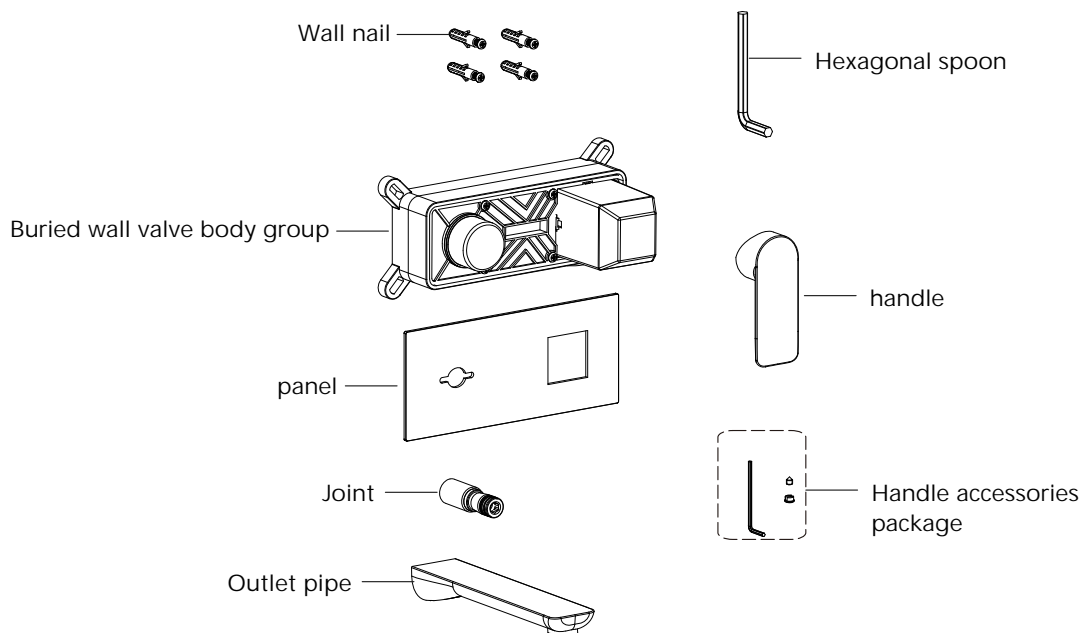
Usage method :

1. Move the handle up to open, the larger the angle, the greater the flow; otherwise, the smaller the angle, the smaller the flow, until closed.
2. When the handle is opened up, adjust left to increase hot water supply and increase cold water supply.

Service conditions:

1. Supply pressure: 0.05-1.0Mpa(0.5-10Kgf/cm).
2. The ambient temperature should be more than 0 .
3. The water supply temperature is 90 .
4. The torque at the nut connection shall not be greater than 10Nm.

Product configuration reference figure



Matters needing attention:

1. After opening the product package, please check the spare parts listed in the Product Configuration Reference Map. If there is any defect, please contact the local dealer immediately.
2. The installation size of the purchased faucet should match the installation size of the embedded inlet water pipe.
3. The tap heart part of the main group has been tested and tested by the factory. Please do not disassemble it by yourself.
4. Before installing the faucet, be sure to remove impurities and sludge in the embedded water pipe to avoid blockage and affect the water function.
5. After installation, please open the water source, and then check whether it is closely connected to ensure that there is no leakage.

Maintenance and maintenance:

In order to keep the surface of the faucet clean and bright, please clean the faucet often or regularly:

1. often clean with water, with soft cotton cloth dry faucet;
2. do not use decontamination powder or polishing powder and other coarse particles of detergent or nylon brush, so as not to wear products;
3. because acid detergent can erode the coating, it should not be used. If the tile is washed with acid detergent, the tile and appliances should be fully washed immediately, so as to avoid the detergent flowing to the surface of the faucet and eroding the faucet coating.

If a lot of cleaning work, please follow the following procedures:

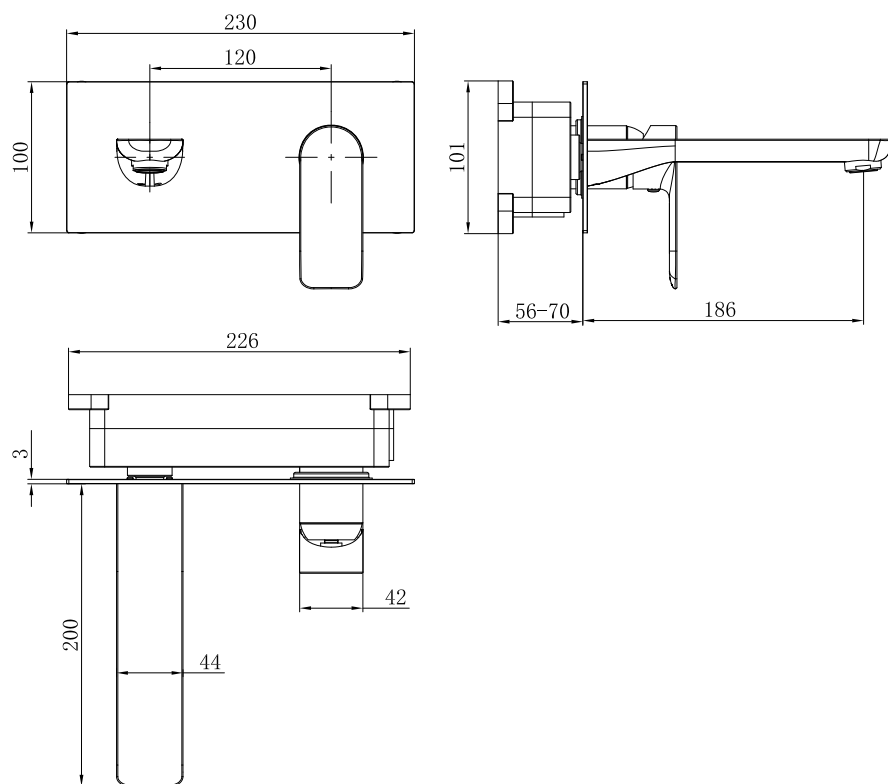
1. Use water and soft cloth, try to remove the surface dirt and scale film.
2. Use any of the following cleaners to remove surface dirt and scale film:
 - Gentle liquid cleaner
 - Colorless glass cleaner, not abrasive and completely soluble powder cleaner (and mixed as indicated)
 - Polish polish without abrasion
3. After cleaning, please remove all cleaning agents with clean water and wipe them dry with soft cotton cloth.



Product installation instructions

M-6002

Product size chart



Waterway reference map

