



WIDESPREAD FAUCET INSTALLATION

BEFORE YOU BEGIN

We recommend consulting a professional if you are unfamiliar with installing plumbing fixtures. Signature Hardware accepts no liability for any damage to the faucet, plumbing, sink, counter top, or for personal injury during installation.

Observe all local plumbing and building codes.

Unpack and inspect the faucet for damage. If any damage is found, contact our Customer Relations team

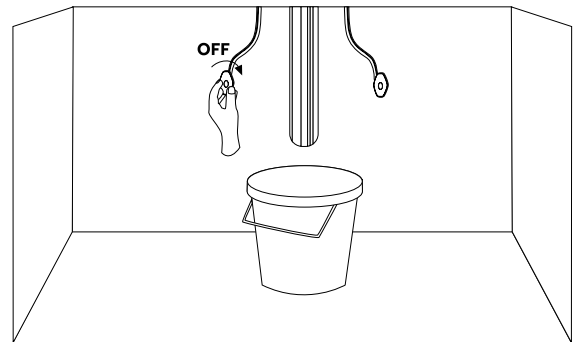
GETTING STARTED

- Ensure that you have gathered all the required materials that are needed for the installation.
- For these instructions, it is assumed that the old faucet has been completely removed and any necessary repairs or modifications to the water supply have been completed.

INSTALLATION

Ensure that the water supply below your sink is completely shut off by turning the shutoff valves all the way to the right.

Tip: Place a small bucket below your workspace to catch any water that may drip during the installation process.



TOOLS AND MATERIALS:



Plumbers
Tape



Thread
Sealant



Phillips
Screwdriver



Adjustable
Wrench



Small
Bucket

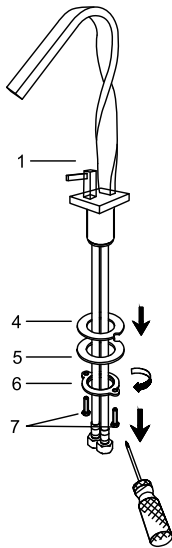


Basin
Wrench

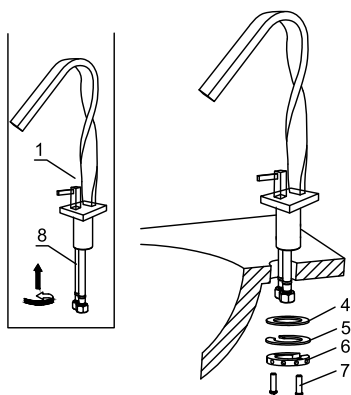


WIDESPREAD FAUCET INSTALLATION

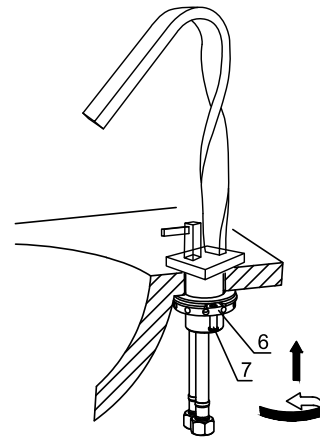
1. Remove rubber washer (4), metal washer (5), mounting nut (6) and mounting screws (7). Keep the base trim ring (2) and base O-ring (3) on the base of the faucet.



2. Screw and hand-tighten the hot and cold waterlines (8) into the faucet body (1), hot side left & cold side right when spout is facing up. Install the faucet body (1) through the 1-3/8" predrilled hole in the countertop. Attach the rubber washer (4), metal washer (5), mounting nut (6), and mounting screws (7) from underneath the sink.



3. After adjusting the direction of the faucet body (1), tighten the mounting nut (6) until snug and then tighten the mounting screws (7) to the nut with a Phillips head screw driver until snug.



4. Connect hot and cold waterlines (8) to the angle stops and tighten with a wrench. Unscrew the aerator cover by hand, and remove the aerator, then turn on the water to remove any leftover debris.

