

# QUICK START GUIDE

**GRIZZLY**

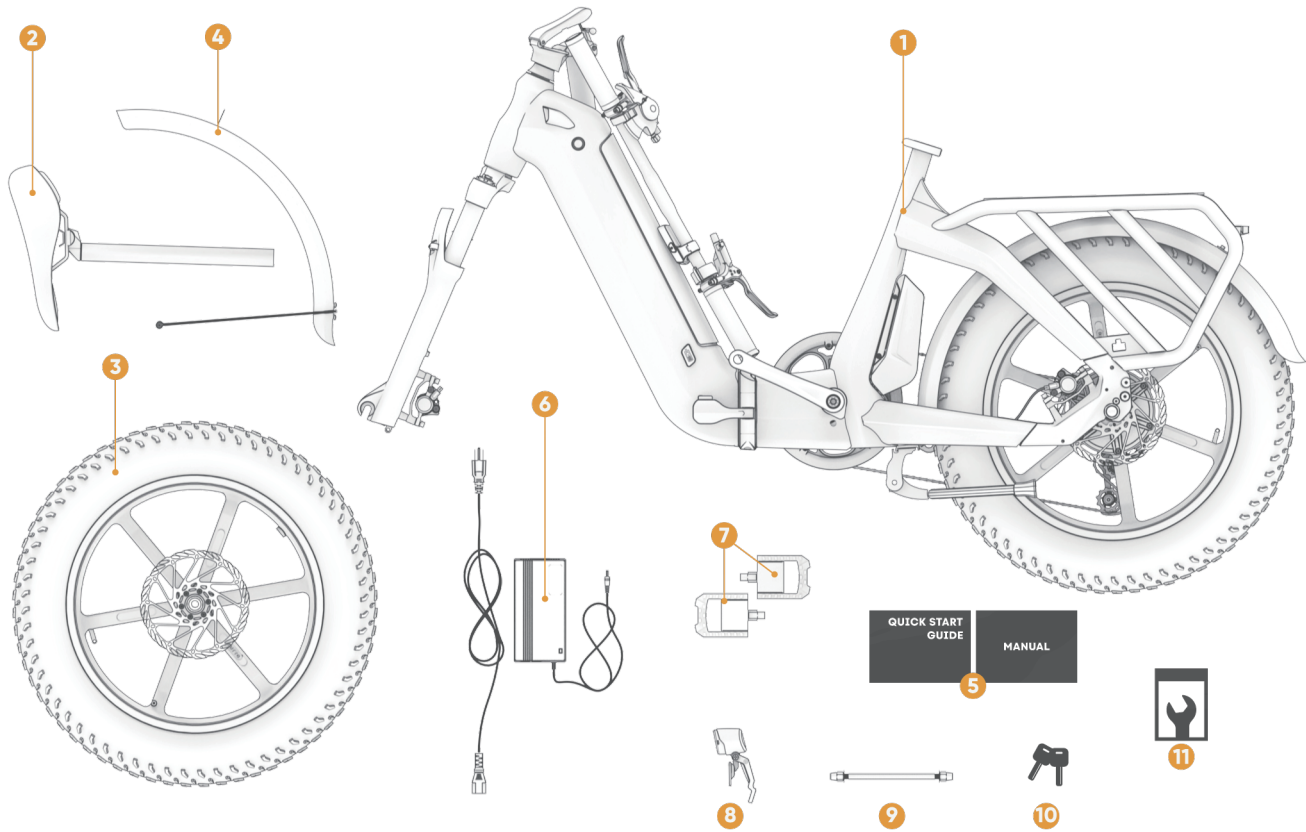
**CYKE**



VISIT OUR CHANNEL FOR THE  
ASSEMBLY GUIDE VIDEOS

**THIS QUICK START GUIDE IS NOT A REPLACEMENT FOR THE CYKE OWER'S MANUAL.  
THE COMPLETE CYKE OWER'S GUIDE CONTAINS OTHER IMPORTANT INFORMATION  
ABOUT YOUR BIKE.**

You can download a range of manual and answers or information on question you may have  
at [cykebikes.com](https://www.cykebikes.com)



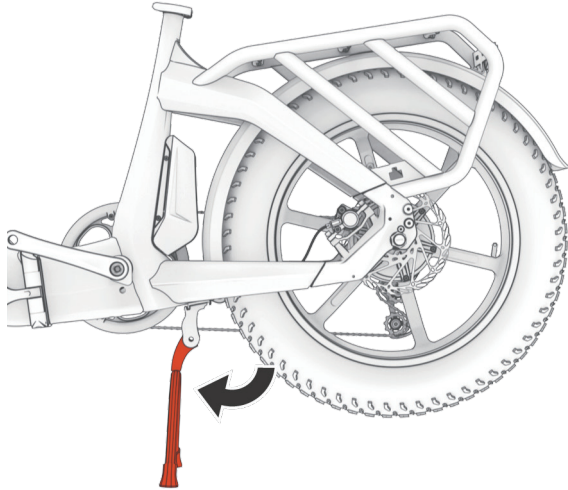
## CHECK LIST

PACKAGE	#	PART	DESCRIPTION	QTY
Master Carton	1	Cyke Bike		1
	2	Seatpost		1
	3	Front Wheel		1
	4	Front Fender		1
Accessory Box	5	Manual	A Quick Start Guide	1
			B Owner's Manual	1
	6	Charger		1
	7	Pedals	A Left Pedal	1
			B Right Pedal	1
	8	Headlight		1
	9	Front Axle		1
	10	Battery Keys		2
	11	Tools Kit	A 13-15mm Open Wrench	2
			B 8-10mm Open Wrench	1
			C M2.5 Hex	1
D M3 Hex			1	
E M4 Hex			1	
F M5 Hex			1	
		G M6 Hex	1	
Not Provided		Phillips Screwdriver		1



**NOTICE:** The appearance of components slightly varies between different batches, therefore the pictures in this manual are for reference only but do not affect the description and interpretation of the product. Please refer to the actually received ones.

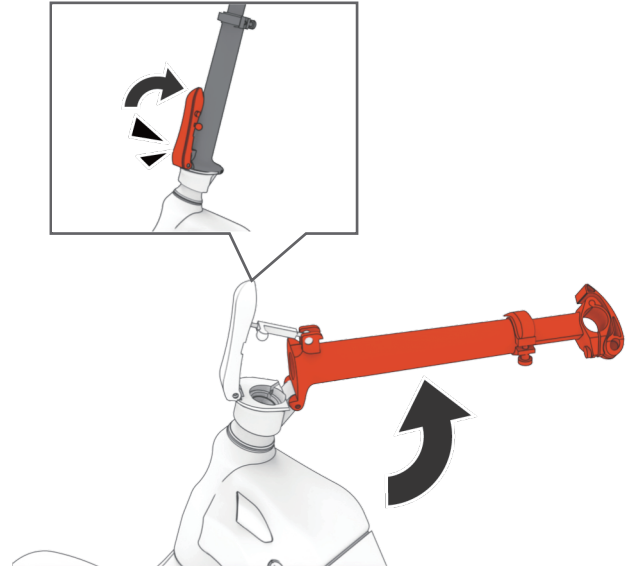
## STEP 1. ATTACH THE KICKSTAND



Open shipping carton and carefully remove your bike from the bottom tray and open the kickstand.

Carefully remove the packaging material protecting the bike frame and components. Please recycle packaging materials especially cardboard and foam whenever possible.

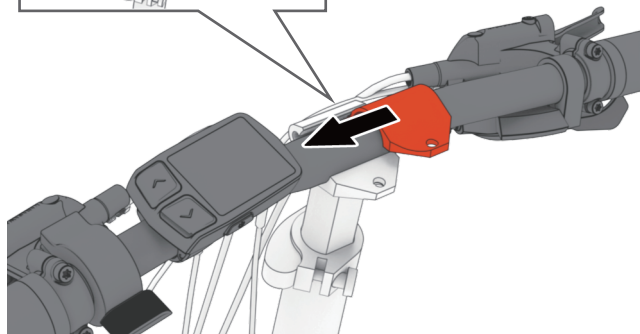
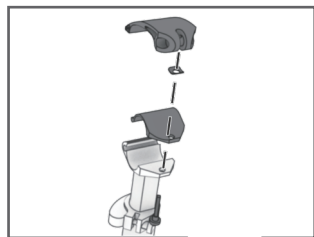
## STEP 2. ATTACH THE STEM



Turn the stem upward to make it stand upright, and the quick release lever will close with the stem linkage and be fixed.

Pull the quick release lever upward and adjust the stem well. Then press the lever down firmly to secure the stem in place.

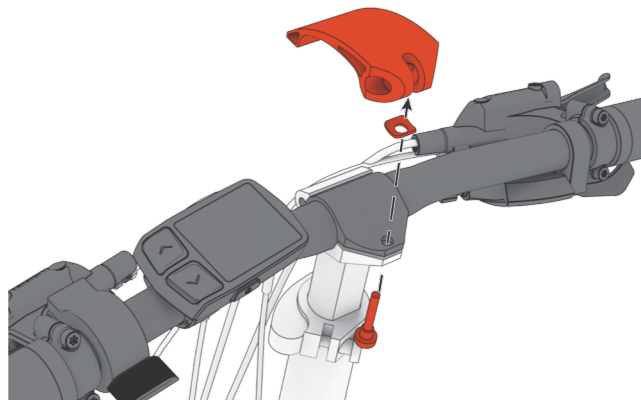
### STEP 3. ATTACH THE HANDLEBAR



Open the clasp release lever, unscrew and remove the clasp release lever and the clasp, be aware not to lose the nut.

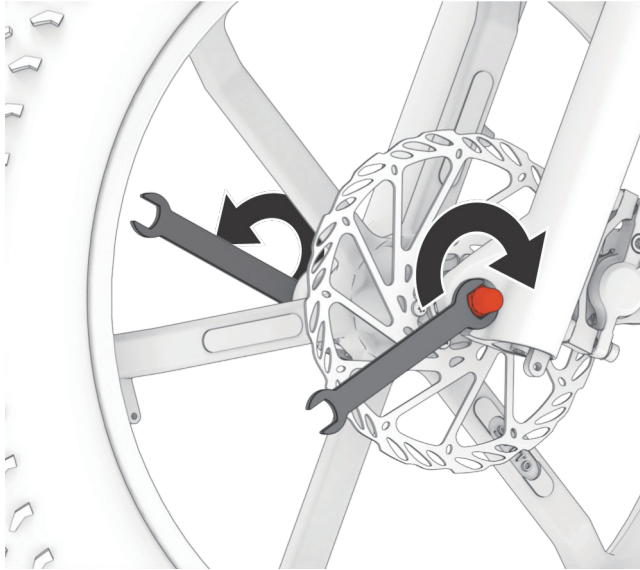
Position the handlebar onto the stem, and ensure there is no cable twisting and winding.

Slide the clasp to the right place on the stem.



Adjust the angle of the handlebar. Then reinstall the clasp release lever with the nut, and ensure the handlebar does not loose.

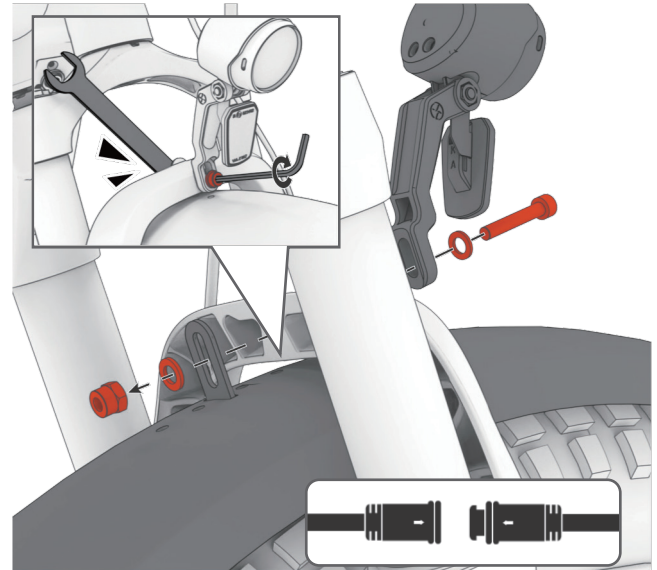




Use two 15mm wrenches to tighten axle nuts on both sides of the wheel to 20-25 NM at the same time.

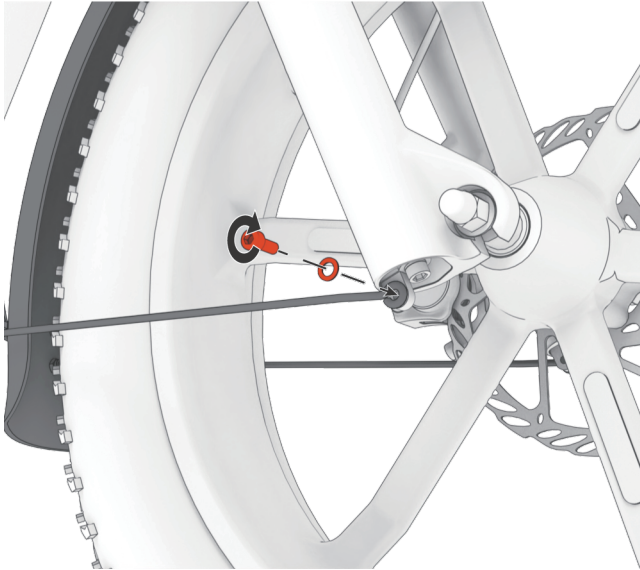
Check the axle nuts before every ride and make sure they are firmly locked and fixed

## STEP 5. FRONT FENDER AND HEADLIGHT



Unscrew the nut and gasket from the end of the long bolt and make sure the headlight bracket is on the outside of the frame and the fender bracket is on the inside. Align the holes on the two brackets to the hole on the fork crown. Pass the long screw through the holes. Tighten the screwed nut from the end of the long screw with the M5 hex key and 10mm open wrench.

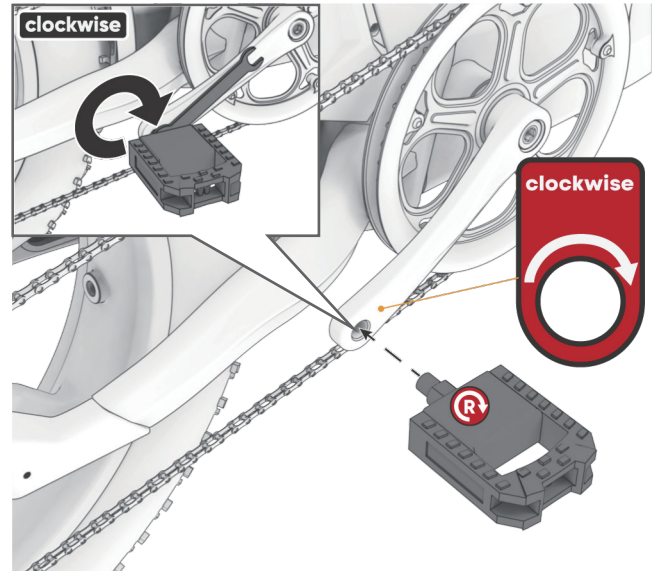
Connect Headlight: Keep the arrows aligned and insert the connectors plug.



Unscrew the bolt first. Connect the fender struts with the fork by tightening the screws and flat washer clockwise with the M4 hex key.

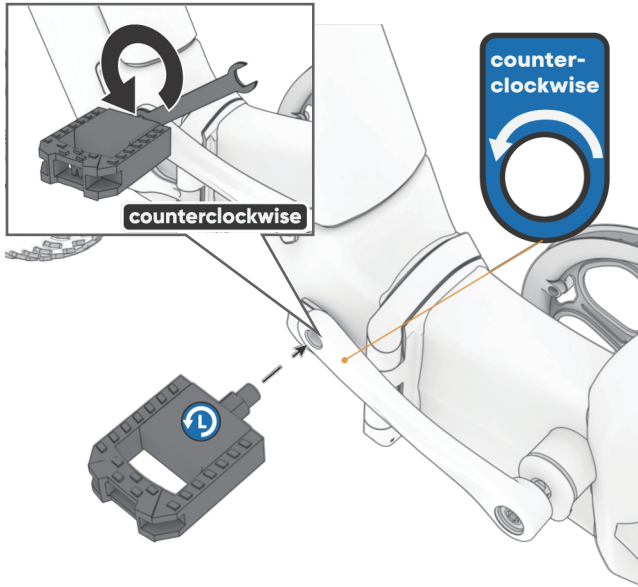
Repeat these steps for the other side.

## STEP 6. ATTACH THE PEDALS



Insert the right pedal ("R" sticker) into the right crank's threaded hole and rotate the pedal (clockwise) until some tension is felt.



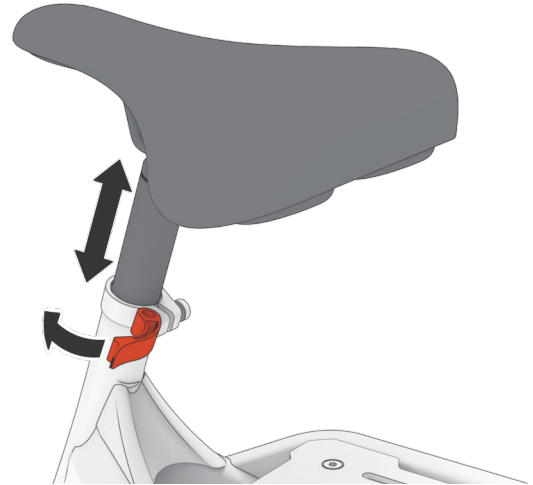


Repeat these steps for the left pedal ("L" sticker) in the left crank rotating and tightening the pedal (counterclockwise).



**CAUTION:** Make sure to install the pedals correctly. The left and right pedals have opposite threads and can damage the cranks if installed on the wrong side.

## STEP 7. ADJUST THE SEAT HEIGHT



Unlock the quick-release lever and insert the seat post into the seat tube.

Adjust the seat height up or down until the rider feels they have control of the bicycle and feel comfortable.

Press the quick-release lever and lock the seat in place.

## ACTIVATE THE BATTERY



If you use the battery for the first time or do not use it for 15 days, press and hold the battery wake-up button for more than 10 seconds to activate the battery until the indicator next to it flashes.



**NOTICE:** Please refer to the Battery and Charger Chapter in the Owner's Manual for more notes about the removal, installation and charging of the battery.

## HMI CONTROL GUIDE

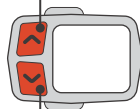
Turn on/off the display (HOLD)



Turn on the lights (HOLD)



Increase the assist level



Decrease the assist level



1. Top it at PAS 0 state
2. Hold it to enter the walk assist mode



Switch the assist mode (HOLD)

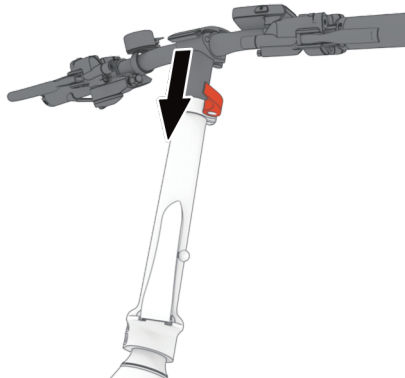
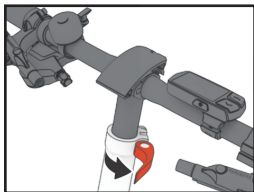


10s after start-up, press to enter Info Interface  
Within 10s of start-up, hold to enter Option Interface  
10s after start-up, hold to enter Clearance Interface

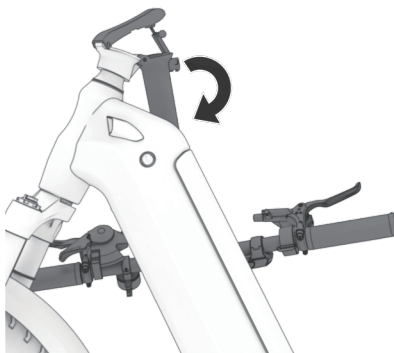
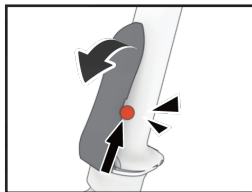


**NOTICE:** For more detailed Display Operation and Settings, please refer to the HMI Display Control Chapter in the Owner's Manual.

## FOLD THE FRAME

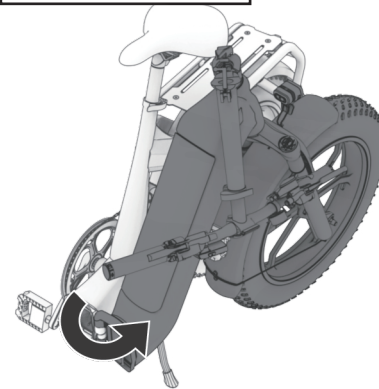
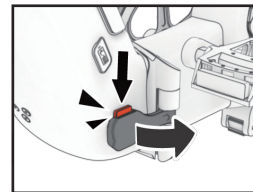


Unlock the quick release lever and adjust the handlebar to a lower height.



Push the red button up like illustrated, meanwhile, pull down the stem clasp release lever to unlock the stem.

Fold the handlebar to the one side.



Press down on the small button on the top to unlock the lever. Simultaneously pull the lever back and release the connection between the two parts of the frame.

Pull the front half back to fold the e-bike frame until both halves of the frame are next to each other.

# CYKE

cykebikes.com

VERSION: V1.0

**READ THESE INSTRUCTIONS CAREFULLY  
BEFORE FIRST USE AND KEEP THEM FOR  
FUTURE REFERENCE.**

## **SUPPORT**

 (888) 778-6789

 support@cykebikes.com