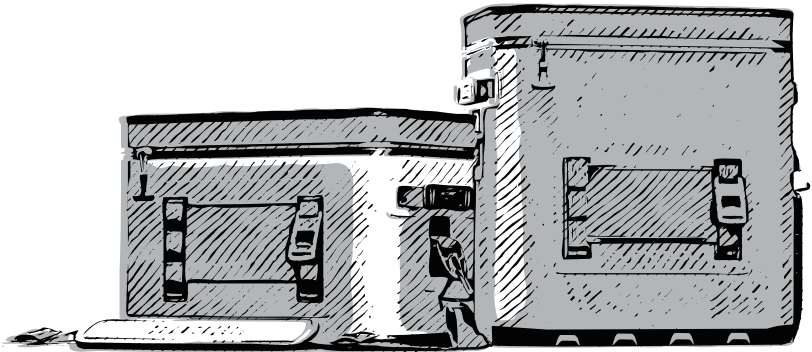


# **BODEGA**

## **Soft Cooler**

USER MANUAL



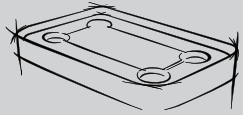
**BRAND: BODEGA**  
**SC15/SC25**

Please read this operating manual carefully before using the cooler.  
Keep it in a safe place for future reference.

# CONTENTS

COOLER PERFORMANCE GUIDELINES.....	02
FEATURES.....	03
CLEANING AND STORAGE .....	06
TECHNICAL DATA.....	07
WARRANTY.....	09

Manufacturer:Foshan Alpicool Electric Appliance Co., LTD.  
Address:13A Xinlong Road Shionglyue industrial Zone, Xintang Village, Lunjiao  
Town,Shunde District, Foshan City, Guangdong, China  
Contact:Tracy Tel:+8618680277793 E-Mail:logistic01@iaobosi.com

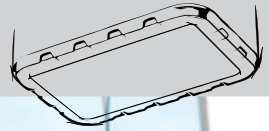


Sunken cup holders

Zipper



Bottle opener



Wear-resistant base

BODEGA

BODEGA

## Cooler Performance Guidelines:

- To achieve maximum performance in your new cooler you must use it properly. Use plenty of ice and pre-chill the cooler and its contents before placing them in the cooler.
- Put the ice in the cooler. Remember, cold air travels down, so if you want your beverages well chilled, load cans and bottles first, then cover with ice.
- Choose cube or block ice. Use cube ice to quickly cool food and drinks, block ice to keep it cold longer.
- More ice is better. We recommend filling your cooler with as much ice as possible. We suggest an ice-to-contents ratio of 2:1. Fill void space.
- Keep cooler out of the sun. Ice lasts up to twice as long when the cooler is in the shade.
- Close lid quickly after opening. Do not leave the lid open longer than necessary.
- Don't drain the cold water. Recently melted ice keeps food and drinks cold. Melted ice water preserves ice better than empty air space.
- Fully filled with ice cubes, the ice retention time can reach more than 5 days (based on 25°C room temperature). It's for reference only, the actual ice retention time depends on the actual situation.
- Due to its durable materials, the soft cooler may be rigid when first put into action, zippering will become easier as the materials relax with use. Or apply the lubricant (silicone grease) to the zipper to facilitate pulling.
- Pro Tip: use rock salt

If you are looking to super-chill your beverages, here is a pro tip that can make the difference: Rock Salt. This will produce some of the coldest drinks you have ever had, and in a relatively short period of time. Here is how to do it:

1. Properly fill your cooler with beer and plenty of ice;
2. Generously sprinkle rock salt on top of ice and close the lid;
3. Wait 30 minutes, then enjoy frigid awesomeness.



## Features:

soft cooler has a dual TPU structure with high frequency welding (polyester shell + insulation layer, NBR cotton + polyether inner liner), thick insulation layer and waterproof zipper, providing excellent thermal insulation performance and ice retention ability.



### **Adjustable shoulder strap:**

The length of the shoulder strap is adjustable. The comfortable and wear-resistant shoulder strap has a strong load-bearing ability, with a maximum capacity of 50 kg (sand).



### **Detachable shoulder strap buckle:**

This handy, detachable shoulder strap buckle allows you to easily remove the shoulder strap, which is more convenient and meets any of your carrying needs.



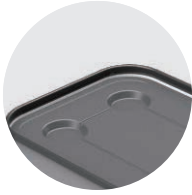
### **Portable Bottle opener:**

Pop some tops on the fly. This bottle opener fits snugly onto your cooler and is made with corrosion-resistant stainless steel so it won't rust or bust.



### **High airtight & waterproof zipper:**

Borrowed from survival suits and high-performance fishing waders to make the ultimate waterproof, airtight closure.



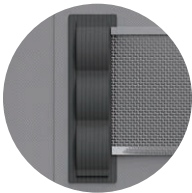
### **Molded cup holders:**

Molded cup holders design on the lid top, keeping your drinks close.



### **Reinforced handles:**

Different from the traditional webbing, adopts plastic reinforced handles, which is stronger and more comfortable. It is suggested to pass the shoulder strap through the handles on both sides to prevent the soft cooler from turning over when it is lifted directly with the shoulder strap.



### **MOLLE system and mesh pocket:**

Easily attach pretty much anything to your journey, like bottle openers, carabiners, etc.

### **! Note**

Avoid dry ice. Dry ice is the solid form of Carbon Dioxide and its  $-109^{\circ}\text{F}$  temperature makes it a very attractive cooling alternative, but we still recommend against it and here is why. As dry ice warms up, it becomes  $\text{CO}_2$  gas instead of melting. The cooler is so airtight that they will inflate with this  $\text{CO}_2$  gas until they expand, which threatens the integrity of your cooler.

## Heat Retention:

- The cooler preserves heat as well as cold. You can use it whether you're sweating a brisket or keeping the breakfast tacos warm.

Note: do not place high-temperature objects to avoid unpleasant odor due to volatilization of plastic

## Additional Tips:

- Keep your cooler away from open fires.
- Do not keep your cooler in water for a long time.
- Your cooler may fade over time as its exposed to the UV rays of the sun. This is a normal part of the wearing process and will not affect performance.
- Keep your cooler away from chemicals, acids and strong alkali.
- Do not keep your cooler in water for a long time.
- Do not microwave.
- Do not wash in dish washer.
- Do not use boiling water to clean.
- Do not place high-temperature objects.



## Cleaning and Storage

### Cleaning:

- Clean the inside and outside. Clean the inside with a solution of mild soap and warm water, especially before first use.
- Always clean after use, especially if used in salt water environment.
- To remove tough stains, use baking soda and water to clean the inside.

Hand wash only.

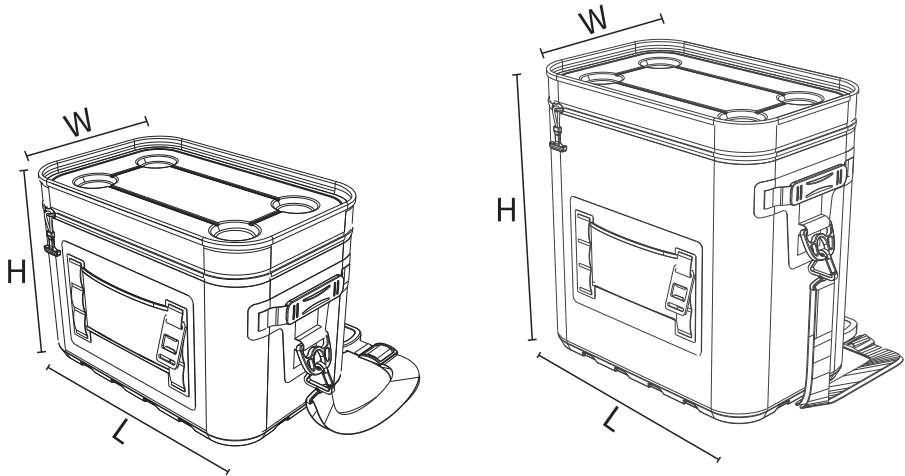
- Always air dry the cooler with the lid open before storing. This reduces the risk of mold and mildew growth.

### Storage:

- It is recommended that you leave the zipper in the closed position with the slider pulled fully, which will help protect the waterproof seal and the zipper closure.
- Remove odors with a tea bag or activated carbon bag in the cooler.
- Apply the lubricant (silicone grease) to the inside and outside of the zipper regularly, which can extend the service life of the zipper.



## Technical Data:



Mode	SC15	SC25
Capacity	15L/0.53 Cu.Ft.	25L/0.88 Cu.Ft.
Dimensions(L*W*H)	451.5*287*295mm 17 3/4*11 5/16*11 5/8 inches	451.5*287*440mm 17 3/4*11 5/16*17 5/16 inches
G.W	1.95kg/4.3 lb	2.45kg/5.4 lb
N.W	2.7kg/6.0 lb	3.3kg/7.2 lb
Shell	TPU	
Cold cell	TPU	
Insulation Materials	NBR foam	
Seal	TPU nylon waterproof zipper	
Insulation time	68h	
Number of cans	23	45
Pulling force (zipper)	40N(open the zipper) /41N(close the zipper)	

\*The number of cans above speaks to full loading of 330 ml/ 11 oz. cans, and varies based on type of ice used. Due to product improvement, the technical information might be different from actual information, please refer to the rating label on the product.

### Note

If you wish to finally dispose of the product, ask your local recycling center or specialist dealer for details about how to do this in accordance with the applicable disposal regulations.



## **BODEGA**

Thank you for purchasing **BODEGA COOLER** product. We sincerely hope that you are satisfied with the product.

We'd like to offer you **12-month warranty** for free.

Once activated the warranty, you will be ensured that if anything goes wrong with your product. Replacement unit/parts will be warranted during the warranty period.

### ———— **What you need to do** ————

Any help or questions during use, please contact us via website

**[www.bodegacooler.com](http://www.bodegacooler.com)**, send email to **[info@bodegacooler.com](mailto:info@bodegacooler.com)**,

we will service you within 24 hours.

When contacting us, we suggest to send Order ID,

problem and a photo or a video for helping us much

more clearer about the problem and offer you the best solution.