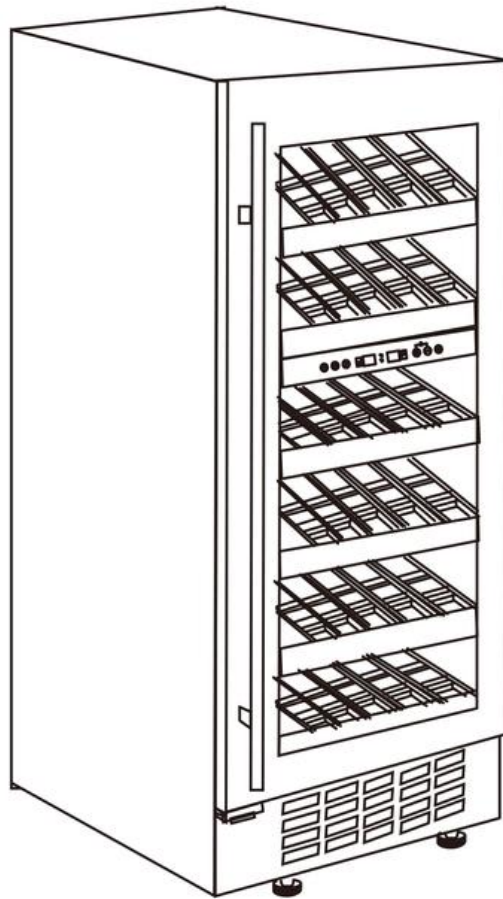




Smart Home Provider

## INSTRUCTION MANUAL

**WINE CELLAR**  
**BRAND:A aobosi**  
**MODEL: JC-85B / JC-145B**



This manual contains important information including safety and installation instructions of the appliances. Please read it carefully before use and follow all safety information & instructions. It is recommended to keep this manual for easy reference so that you can be familiar with the operation of the appliance.

# CONTENTS

WARNING-----	2
IMPORTANT SAFETY INSTRUCTIONS-----	3
INSTALLATION INSTRUCTIONS-----	4
UNPACKING AND INSTALL THE DOOR HANDLE -----	4
TEMPERATURE SETTING-----	7
CARE & MAINTENANCE-----	11
TROUBLESHOOTING GUIDE-----	11
WARRANTY-----	13

## **WARNING**

- To prevent damaging the door gasket, make sure to have the door all the way opened when pulling shelves out of the rail compartment.
- The appliance must be positioned so that the plug is accessible. Release the electric cord. Move your cabinet to its final location. Do not move your Cabinet while loaded with wine. You might distort its body. The wine cellar should be installed in a suitable place in order to avoid touching the compressor with hand.
- This appliance is not intended for use by persons (including children) with reduced physical, sensory or mental capabilities or lack of experience and knowledge, unless they have been given supervision or instruction concerning use of the appliance by a person responsible for their safety.
- If the supply cord is damaged, it must be replaced by manufacturer of its Service agent or a similarly qualified person in order to avoid a hazard.

**PLEASE DON'T TRY TO PLUG INTO OR EXTENSION THE CABLE IN ANY CASE.**

### ➤ **Wine cooler self-checking**

**The unit will have “bee”, “bee” after power on, this means the wine cooler is self-checking before operation.**

## **IMPORTANT SAFETY INSTRUCTIONS**

<b>⚡WARNING⚡</b>	To reduce the risk of fire, electrical shock, or injury when using your appliance, follow these basic precautions:
<ul style="list-style-type: none"><li>• Read all instructions before using the Wine cellar.</li><li>• <b>DANGER or WARNING:</b> Risk of child entrapment.</li><li>• Child entrapment and suffocation are not problems of the past. Junked or abandoned appliances are still dangerous even if they will “just sit in the garage a few days”.</li><li>• <b>Before you throw away your old Wine Cellar:</b> Take off the door. Leave the shelves in place so that children may not easily climb inside.</li><li>• Never allow children to operate, play with, or crawl inside the appliance.</li><li>• Never clean appliance parts with flammable fluids. The fumes can create a fire hazard or explosion.</li><li>• Do not store or use gasoline or any other flammable vapors and liquids in the vicinity of this or any other appliance. The fumes can create a fire hazard or explosion. Do not store explosive substances such as aerosol cans with a flammable propellant in this appliance.</li><li>• <b>WARNING:</b> Keep ventilation openings, in the appliance enclosure or in the built-in structure, clear of obstruction;</li><li>• <b>WARNING:</b> Do not use mechanical devices or other means to accelerate the defrosting process, other than those Recommended by the manufacturer;</li><li>• To avoid a hazard due to instability of the appliance, it must be fixed in accordance with the instructions.</li><li>• <b>WARNING:</b> Do not damage the refrigerant circuit;</li><li>• <b>WARNING:</b> Do not use electrical appliances inside the food storage compartments of the appliance, unless they are the type recommended by the manufacturer.</li> <li>• <b>If the refrigerant of these appliances are R600a, Flammable and explosive articles should not be put in or near the cabinet, to avoid the fire or explode caused.</b></li></ul> <p style="text-align: center;"><b>-Save these instructions-</b></p>	

## **UNPACKING AND INSTALL THE DOOR HANDLE**

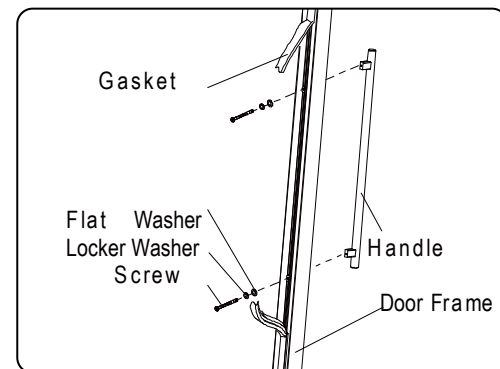
Remove the exterior and interior packing materials.

Install the door handle provided with the appliance by following these steps:

Step 1 — Remove the gasket at the inner side of the door to expose the two screw holes.

Step 2 — Install the handle tightly with the screws and washers provided.

Step 3 — Tidy and restore the gasket.



## **INSTALLATION INSTRUCTIONS**

### ➤ **Before Using Your Wine cellar**

- Remove the exterior and interior packing.
- Before connecting the Wine cellar to the power source, let it stand upright for approximately 24 hours. This will reduce the possibility of a malfunction in the cooling system from handling during transportation.
- Use a soft cloth to clean the interior surface with lukewarm water.
- This appliance is intended to be used in household and similar applications such as
  - Staff kitchen areas in shops, offices and other working environments;
  - Farm houses and by clients in hotels, motels and other residential type environments;
  - Bed and breakfast type environments;
  - Catering and similar non-retail applications.
- When disposing your appliance, please choose an authorized disposal site.

### ➤ **Installation of Your Wine Cellar**

- This appliance is designed to be for free standing installation or built-in (fully recessed) (Refer to sticker location the back of this appliance).
- This appliance is intended to be used exclusively for the storage of wine or beverages.
- Place your Wine cellar on a flat floor that is strong enough to support it when it is fully loaded. To level your Wine cellar, adjust the front leveling leg at the bottom of the Wine cellar.
- This appliance is using flammability refrigerant. So never damage the cooling pipework during the transportation. Locate the Wine cellar away from direct sunlight and sources of heat (stove, heater, radiator, etc.). Direct sunlight may affect the acrylic coating and heat sources may increase electrical consumption. Extreme cold ambient temperatures may also cause the unit not to perform properly.
- Avoid locating the unit in moist areas.
- Plug the Wine cellar into an exclusive, properly installed-grounded wall outlet. Do not cut or remove the third (ground) prong from the power cord under any circumstances. Any questions concerning power and/or grounding should be directed toward a certified electrician or an authorized Products service center.

### ➤ **Attention**

- Store wine in sealed bottles;
- Do not overload the cabinet;
- Do not open the door unless necessary;
- Do not cover shelves with aluminum foil or any other shelf material which may prevent air circulation;

- Should the Wine cellar be stored without use for long periods, it is suggested to leave the door ajar to allow air to circulate inside the cabinet after a careful cleaning, avoiding possible formations of condensation, mold or odors.

➤ **Ambient Room Temperature Limits**

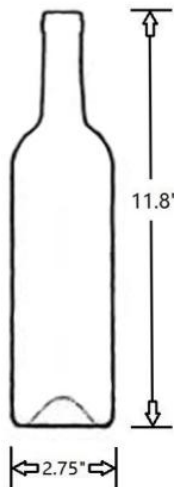
This appliance is designed to operate in ambient temperatures specified by its temperature class marked on the rating plate.

Class	Symbol	Ambient Temperatures range (°C / °F)
Extended Temperate	SN	+ 10°C / 50 °F to + 32°C / 89.6°F
Temperate	N	+ 16°C / 60.8°F to + 32°C / 89.6°F
Subtropical	ST	+ 16°C / 60.8°F to + 38°C / 100.4°F
Tropical	T	+ 16°C / 60.8°F to + 43°C / 109.4°F

**Description of product model**

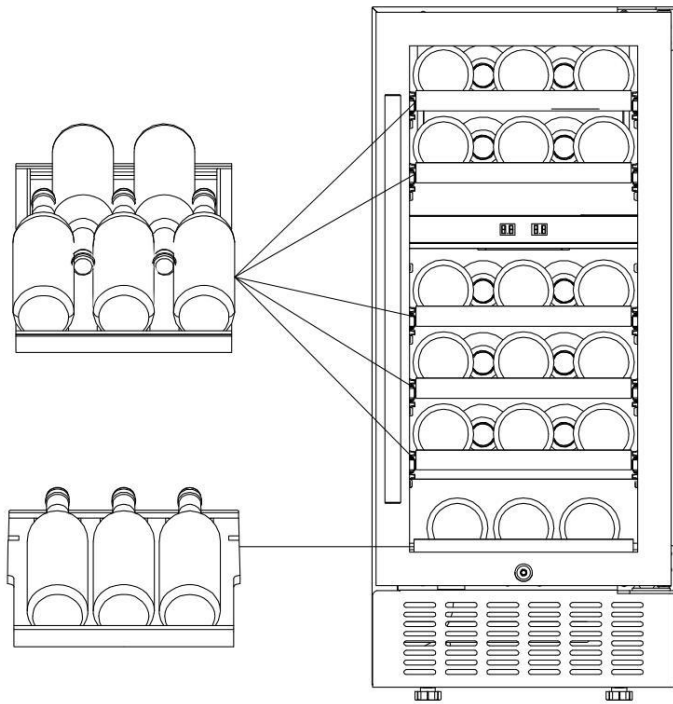
Model	Description
JC-85B	28 bottles dual zone wine cellar
JC-145B	46 bottles dual zone wine cellar

The standard bottles as below:



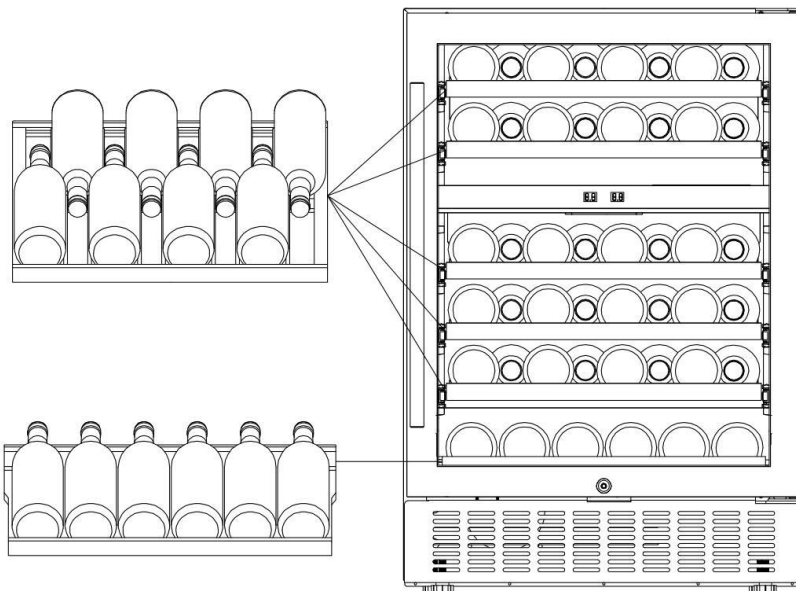
The stated capacity is dependent on the size and shape of standard Bordeaux 750ml bottle with diameter of 2.75".

When accommodating larger bottles, you can remove shelves. This will reduce the stated bottle capacity.



**Storage of Model JC-85B**

- Shelf One To Five - 5 bottles per shelf
- Bottom Section - 3 bottles



**Storage of Model JC-145B**

- Shelf One To Five - 8 bottles per shelf
- Bottom Section - 6 bottles

## WINE STORAGE

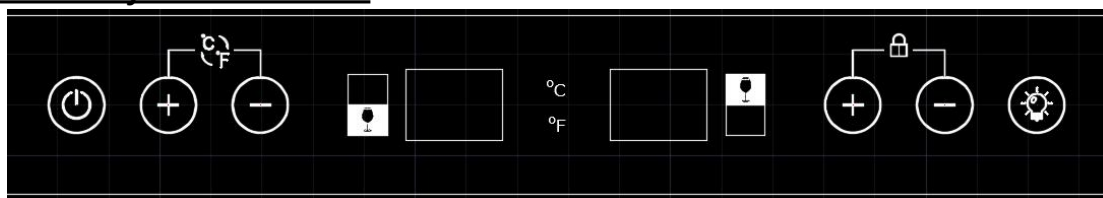
- To prevent damaging the door gasket, make sure to have the door opened fully all the way before pulling the shelves out.
- Please store wine in sealed bottles.
- Should the wine cooler be left empty for long periods it is suggested that the appliance is unplugged, and after careful cleaning, leave the door ajar to allow air to circulate inside the cabinet in order to avoid possible condensation, mold or odours forming.
- Recommended Temperatures for chilling/storage your wines.



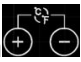











Red Wines	15-18°C / 59-64.4°F
Dry/White Wines	9-14°C / 48.2-57.2°F
Rose Wines	10-11°C / 50-51.8°F
Sparkling Wines	5-8°C / 41-46.4°F

## OPERATING YOUR WINE CELLAR AND SETTING THE TEMPERATURE CONTROL

### FOR JC-85B/JC-145B WINE CELLAR

#### ➤ Control System Instruction



- Power switch : Plug in, press  for 3 seconds to turn on or off the unit.
- Left combination  button ;Press  and  at the same time for 3 seconds to change the temperature display between Celsius and Fahrenheit.
- Left display window show the temperature of lower zone, the temperature will increase 1°F or 1°C if you push the left  button , the temperature will decrease 1°F or 1°C if you push the left  button.
- Right display window show the temperature of upper zone, the temperature will increase 1°F or 1°C if you push the right  button , the temperature will decrease 1°F or 1°C if you push the right  button.
- Right combination  button ;Press  and  at the same time for 3 seconds to lock the control panel except Light function, there need to press this combination button again once want to unlock the control panel.
- Light button :Press  to turn on or off.

➤ **Setting The Temperature Controls**

- When press the temperature setting button, the system will enter the set up mode of the upper or lower compartment automatically. The LED display will flash and show the setting temperature. After 5 seconds the flash will stop and it will show the actual measured interior temperature.
- Press the button “+” or “-” once, the temperature will decrease or increase 1 °C/1°F After stopping pressing the button for 5 seconds, LED figure will stop flash, then revert back to display the setting temperature of the upper or lower compartment.
- After the unit is unplugged, the system will return to default setting temperature, which set by factory. The default setting temperature as below:
- **Upper compartment:** The temperature setting can be adjusted from 5 °C /41 °F to 12 °C /53.6 °F.
- **Lower compartment:** The temperature setting can be adjusted from 12 °C /53.6 °F to 20 °C /68 °F.

Model	Temperature range
JC-85B WINE CELLAR JC-145B WINE CELLAR	Upper compartment: The temperature setting can be adjusted from 5°C/41°F to 12°C/53.6°F. Lower compartment: The temperature setting can be adjusted from 12°C/53.6°F to 20°C/68°F.

➤ **Attention**

If the unit is unplugged, power lost, or turned off, you must wait 3 to 5 minutes before restart the unit. If you attempt to restart before this time delay, the Wine Cellar will not start. If first time use or longer absence of using, the temperature will be different between setting and LED display temperature. After running a period, the temperature will be reverting back.

➤ **Shelves**

- To prevent damaging the door gasket, make sure to have the door all the way opened when pulling shelves out of the rail compartment.
- For easy access to the storage content, you must pull the shelves approximately 1/3 out of the rail compartment, however this unit was designed with a notch on each sides of the shelf tracks to prevent bottles from falling.

Please refer to the following direction for replace shelf with different method.

If need to take out any shelf, use one hand to press down the right plastic notch as shown in Figure A and at the same time lift the left plastic notch by other hand as shown in Figure B. Hold both notches and then proceed to pull out the shelf slowly. Contact our service department if assistance is needed.

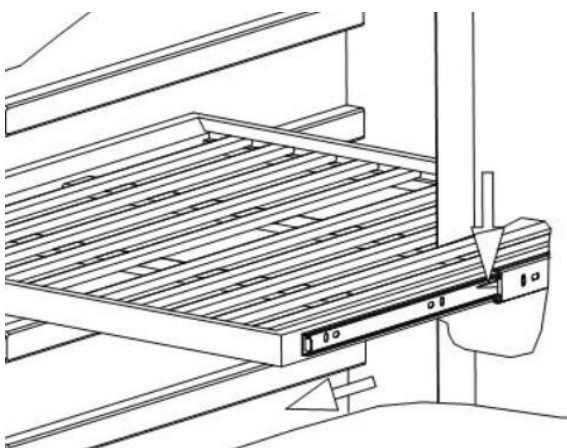


Figure A

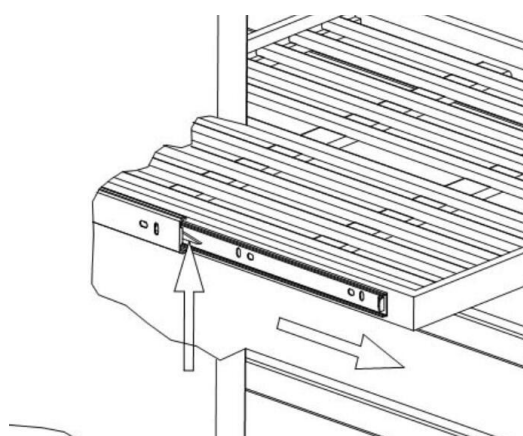
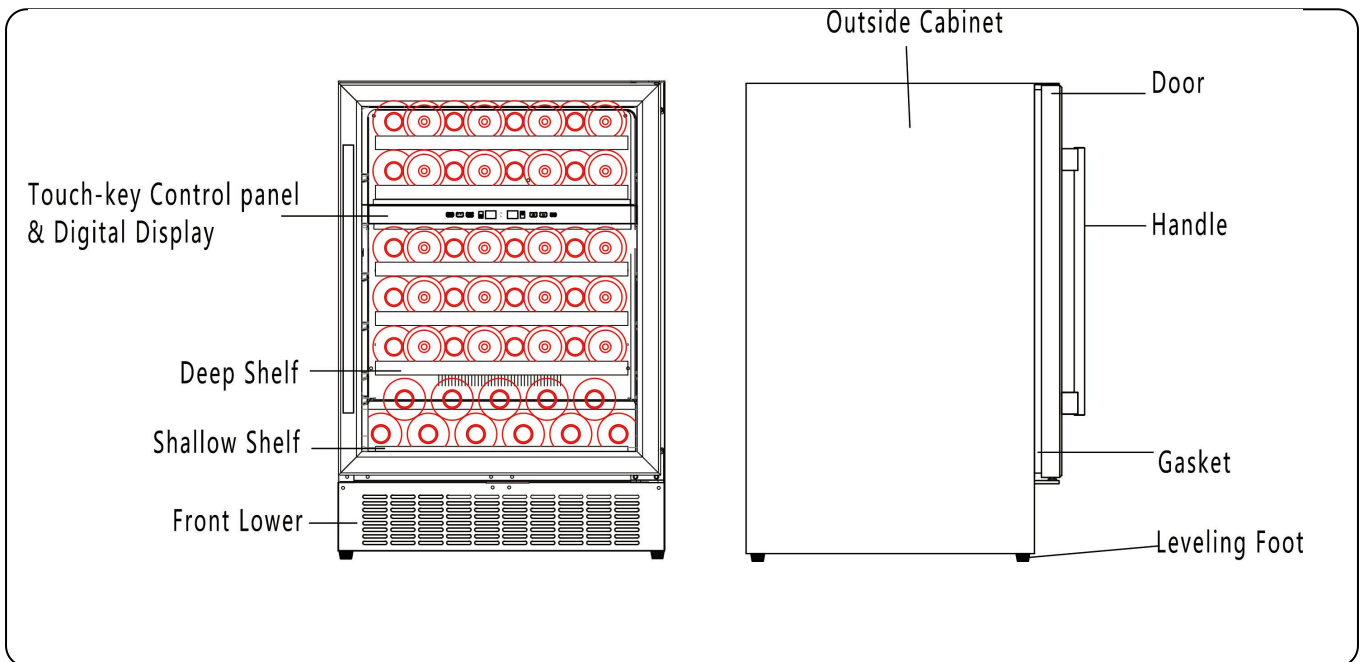


Figure B

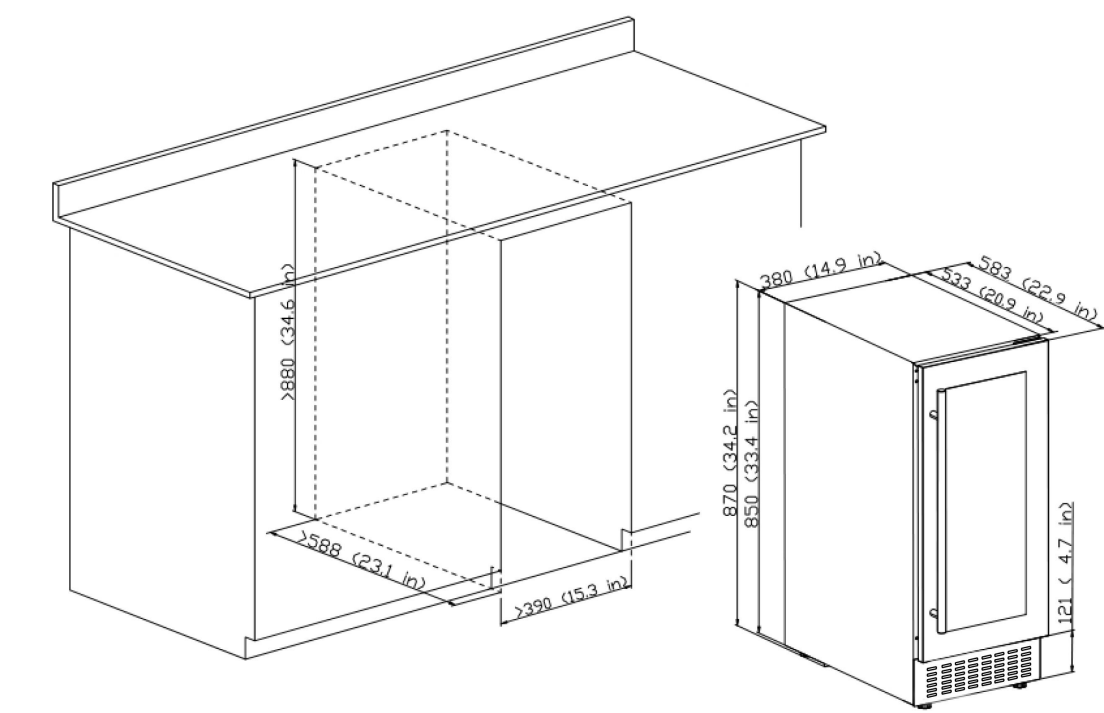


**BUILT-UNDER SERIES** (Built under a kitchen table top)

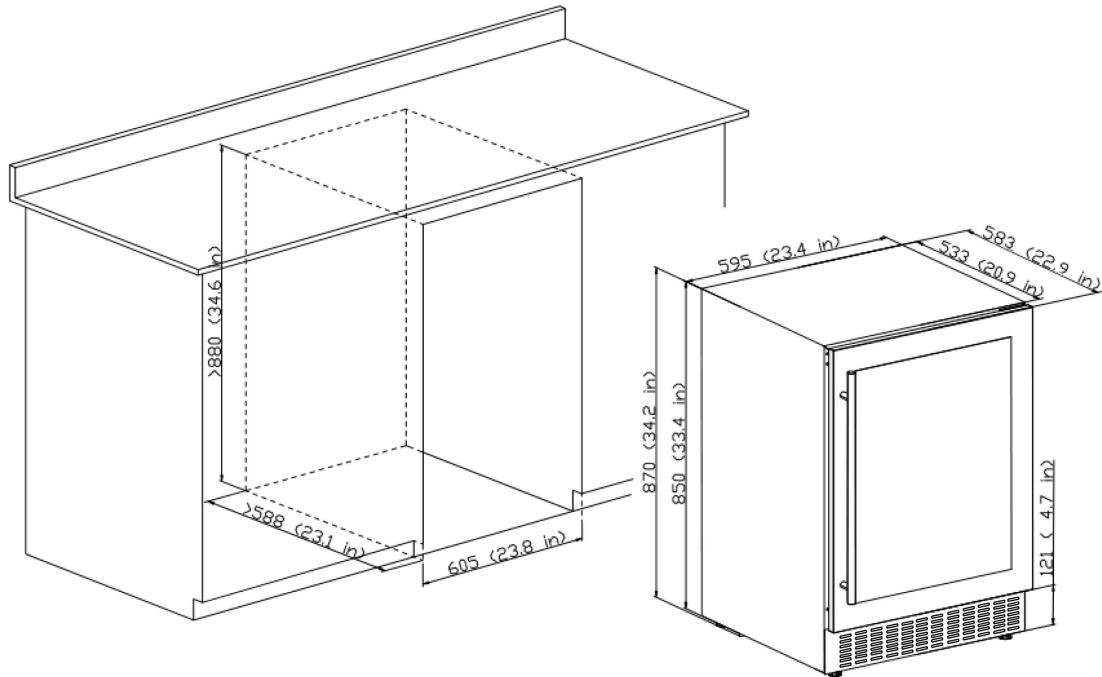


Remark: The above picture is for reference only. Please refer to the actual product.

➤ **Installation specifications for built-in purposes**  
**JC-85B**



**JC-145B**



**LOCK & UNLOCK THE DOOR (FOR OPTION)**

Lock is an optional function. If your Wine Cellar has such function, a key should be attached inside the packing of this Manual.

Insert the key into the lock and turn it counter-clockwise to unlock the door. To lock it, please follow the reversed operation. Please save the key well.

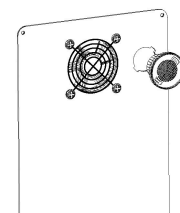
**CHARCOAL FILTRATION SYSTEM**

Your wine is a living object that breathes through the cork of its bottle. In order to preserve the quality and taste of your fine wines, they must be stored at the ideal temperature and ambient conditions. Your cellar is equipped with an active charcoal filtration system to ensure air purity, cooling efficiency, and to maintain an odor free cabinet for the storage of your fine wines. The filter assembly is located at the rear panel inside your cellar.

Keep in mind, that this filter must be changed every 12 months and purchase the new one from the distributor.

To replace your filter:

1	Remove the bottles of wine stored on the two (2) shelves in front of the filter.
2	Remove the shelves and set aside to be replaced once you have changed the filter
3	Hold the filter and turn it at 45 degrees in the counter-clockwise direction and then pull it out.
4	Remove the existing filter and replace with a new one.
5	Put the new filter into the hole and then turn the filter at 45 degrees in clockwise direction.



Turn Left to remove filter.

## **CARE & MAINTENANCE**

- **Clean your Wine Cellar**

Turn off the power, unplug the appliance, and remove all items including shelves and rack. Wash the inside surfaces with a warm water and mild solution.  
Wash the shelves with a mild detergent solution.  
Wring excess water out of the sponge or cloth when cleaning area of the controls, or any electrical parts.  
Wash the outside cabinet with warm water and mild liquid detergent. Rinse well and wipe dry with a clean soft cloth.
- **Power failure**

Most power failures are corrected within a few hours and should not affect the temperature of your appliance if you minimize the number of times the door is opened. If the power is going to be off for a long period of time, you need to take the proper steps to protect your contents.
- **Vacation Time**

Short vacations: Leave the Wine Cellar operating during vacations of less than three weeks.  
If the appliance will not be used for several months, remove all items and turn off the appliance. Clean and dry the interior thoroughly. To prevent odor and mold growth, leave the door open slightly: blocking it open if necessary.
- **Moving your Wine Cellar:**



Remove all items.  
Take out the loose items inside the wine cellar (such as shelf), or fix the loose items with the foam.  
Turn the adjustable leg up to the base to avoid damage.  
Tape the door shut.  
Be sure the appliance stays secure in the upright position during transportation. Also protect outside of appliance with a blanket or similar items.
- **Energy saving tips**

The Wine Cellar should be located in the coolest area of the room, away from producing appliances, and out of the direct sunlight.

## **TROUBLESHOOTING GUIDE**

If you feel the appliance is out of order, follow these instructions to try to see if you can solve the problem simply by yourself before calling for service.

Problem	Possible Cause
Wine Cellar does not operate	No plugged in. The appliance is turned off. The circuit breaker tripped or a blown fuse.
Wine Cellar is not cold enough	Check the temperature control setting. External environment may require a higher setting. The door is opened too often. The door is not closed completely. The door gasket does not seal properly.

Turns on and off frequently	The room temperature is hotter than normal. Overload of the cabinet The door is opened too often. The door is not closed completely. The temperature control is not set correctly. The door gasket does not seal properly.
The light does not work	Not plugged in. The circuit breaker tripped or a blown fuse. The bulb has burned out. The light button is "OFF"
Vibrations	Check to sure that the Wine Cellar is level.
Too much noise	The rattling noise may come from the flow of the refrigerant, which is normal. As each cycle ends, you may hear gurgling. Contraction and expansion of the inside walls may cause popping and crackling noises. The Wine Cellar is not level.
The door will not close properly	The Wine Cellar is not level. The door was reversed and not properly installed. The gasket is dirty. The shelves are out of position.
The control panel does not work	Not plug in The control panel is locked. Please press  and  at the same time for 3 seconds to unlock.
The unit beeps.	Wine cooler self-checking. This is normal.

**Before disposal of the appliance:**

1. Disconnect the main plug from the main socket.
2. Cut off the main cable and discard it.



This marking indicates that this product should not be disposed with other household wastes throughout the EU. To prevent possible harm to the environment or human health from uncontrolled waste disposal, recycle it responsibly to promote the sustainable reuse of material resources. To return your used device, please use the return and collection systems or contact the retailer where the product was purchased. They can take this product for environmental safe recycling.

MANUFACTURER: ZHONGSHAN BODEGA ELECTRICAL APPLIANCE CO., LTD  
ADD: NO.20 JIAN MIN RD., HUANGPU TOWN, ZHONGSHAN CITY, GUANGDONG, CHINA  
Contact: Kelly    Tel: +1 (838) 900 9806    E-Mail: info@iaobosi.com

## WARRANTY


Thank you for choosing A aobosi product. We sincerely hope that you are satisfied with it.

The manufacturer's warranty covers the product for a period of 12 months from the date of purchase against manufacturing faults. All warranties are automatically kept track of in our system, so there is no need to register your product.

Agent/Distributor is welcome to contact us. Email:info@iaobosi.com.

Any help or questions during use, please contact us via website www.iaobosi.com, send email to info@iaobosi.com, we will service you within 24 hours. We suggest to provide a warranty card, a photo or a video if there's broken spare part or not working machine so that we can be much more clear about your problems and offer you the best solution.



 **aobosi** Warranty Card  
  
Item name: \_\_\_\_\_  
Model: \_\_\_\_\_  
Serial No.: \_\_\_\_\_  
Store name: \_\_\_\_\_  
Purchase date: \_\_\_\_\_  
Buyer's name: \_\_\_\_\_  
Email: \_\_\_\_\_  
Address: \_\_\_\_\_  
Tel.: \_\_\_\_\_

Please fill in the table and email it within 10 days from the date of purchase.