

# X5/S6 User Manual

Thank you for purchasing MILESEEEY laser distance meter, please read the manual carefully before using.

MILESEEEY S6 Laser Measure has 8 functions:- to satisfy different measuring needs and greatly improved user experience.

## **! CAUTION**

For the safe use of this handheld laser distance meter, please read below instructions carefully.

- 1, The device is categorized into Class 2 laser product. DO NOT stare at laser directly or shoot at others or it will cause damage to eyes.
- 2, The product is in accordance with strict standards and regulations through the development and manufacturing, but still can't entirely exclude the possibility of interference to other devices, may cause discomfort to human and animals.
  - Please DO NOT use this product under explosive or corrosive environment.
  - Please DO NOT use this product near medical devices.
  - Please DO NOT use this product on the plane.

### **1, Disposal**

Everyone is responsible for environmental protection.

It's prohibited to dispose used batteries together with household waste, please collect used batteries to designated waste station.

This product must not be recycled with household waste. Dispose of the product appropriately in accordance with the national regulations in your country.

## 2,Scope of Responsibility

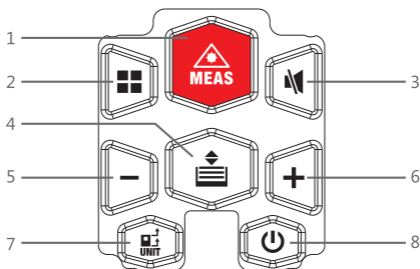
MileSeey will not be responsible for the damages caused by improper use below:

\*Using the product without instruction;

\*Use of accessories from other manufacturers without approval from MileSeey;

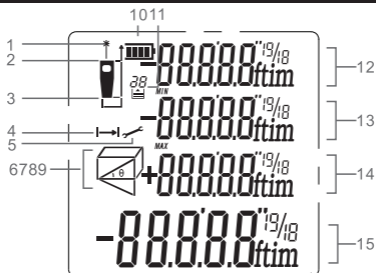
\*Carrying out modification or conversion of the product.

## BUTTON FUNCTIONS



1. Measure button / Long press to enter Continuous measurement(Min / Max)
2. Area / Volume / Pythagorean
3. Historical memory button
4. Measuring reference / Unit button
5. Subtract(-) button
6. Add(+) button
7. Beep button
8. ON/OFF/Return/Clear button

## LCD DISPLAY



1. Laser on
2. Reference point (front)
3. Reference point (rear)
4. Distance /Continuous measurement
5. Setting
- 6, 7, 8, 9 . measuring mode indication
10. Battery status
11. Historical memory
12. Value 1
13. Value 2 / Min value
14. Value 3 / Max value
15. Summary line / latest value / calculation result

## INITIAL OPERATING AND SETTING

### ■ Power On / Off


Power on/off (manually)

Long press  to switch on/off the device.

### ■ Power off (automatically)


The instrument switches off automatically after three minutes of inactivity.

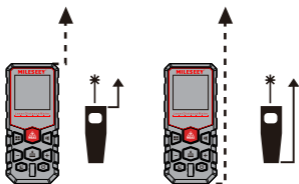
### ■ Return / Clear

When measuring, press  to undo the last

action or clear measured value.


### ■ Adjusting Measuring Reference

Press  to switch reference point between the front and the rear of the instrument.




The default reference setting is from the rear of the instrument. The reference point will be set to default every time when it's powered off, i.e. the measuring reference point is from the rear of the instrument every time when it's powered on.


### ■ Unit Change


Long press  to change distance unit between m, ft, in and ft+in.

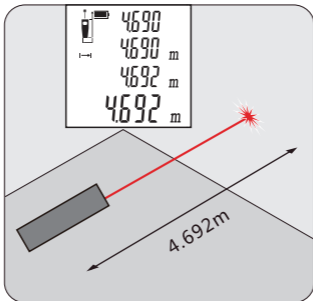
### ■ Beep On/Off

Press  to switch on/off the beep.


## Single Distance Measurement

Press  to activate the laser.

Press  again to trigger the distance measurement. The measured value is displayed immediately.

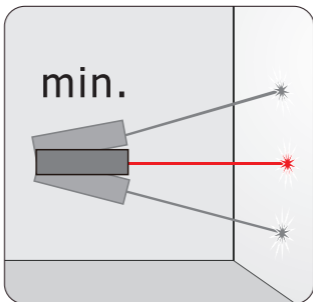


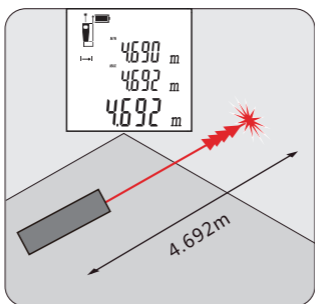
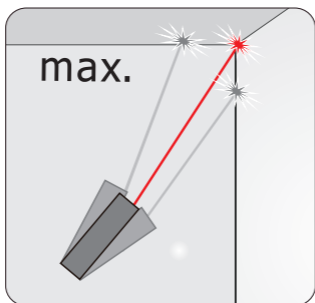
## Continuous Measurement(Min / Max)

Long press  key to activate continuous measurement. The maximum and minimum distances measured are shown in the display. The last measured value is displayed in the summary line.



This function will be stopped automatically after 5 minutes of inactivity.


User can press  or  to stop the function






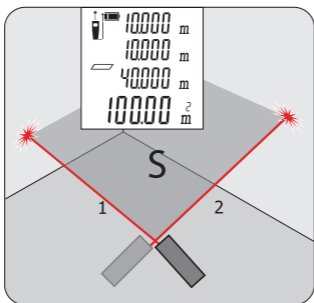
## Area Measurement

Press  once, the symbol  appears in function field of display.



Press  to take the first distance measurement (e.g. Length).


Press  again to take the second distance measurement (e.g. width).

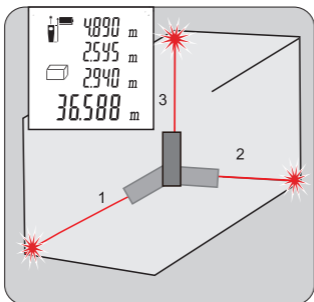
The results of length, width, perimeter and area are displayed in the screen.



## Volume Measurement

Press  twice, the symbol  appears in the function field on the display.

Press  to take the first distance measurement (e.g. Length). Next get the width, then height, the result of length, width, height and volume is displayed orderly.



## Tips For Pythagorean Measurement

Pythagoras measurement can be applied to the different flat surfaces, please make sure the vertical edge is perpendicular to the measured object.

NOTES:

1. All measured points should be on the same horizontal or vertical plane.
2. In order to get more accurate measurement results, the laser rangefinder should be measured at a fixed rotation at a point
3. According to the Pythagoras Theorem, the right-angle side cannot be larger than the hypotenuse; otherwise, there is a calculation error.

## Pythagorean Method-Two points

Refer to figure 1. Press  3 times to activate the function, the symbol  appears in the function field on the display.

Take measurement with the 2 points shown on below figure in numeric sequence, the height of the object will be calculated automatically and displayed on screen.

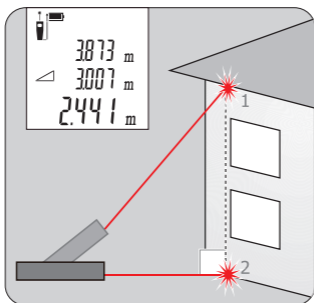






figure 1.



## Pythagorean Method-Three points

Refer to figure 2. Press  4 times to activate the function, the symbol  appears in the function field on the display.

Take measurement with the 3 points shown on below figure in numeric sequence, the height is calculated and displayed on the summary line.

Press  to delete any measured length and then press  to re-measure.

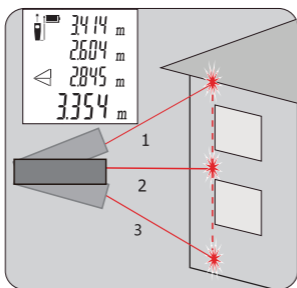







figure 2.

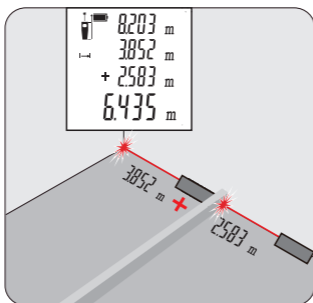
## Addition / Subtraction

Addition : press 

Subtraction: press 

Take a measurement, then press  and  , addition / subtraction symbol will appear on display, then press  button to take the second measurement, the second value will be automatically added to/subtracted from the first one.

Note: This process can be repeated as required.



## HISTORICAL MEMORY

Continuous long press  to view historical memory, the last 20 measured value will be displayed in reversed order.

Press  to quit historical value viewing.

## TROUBLE SHOOTING

All errors or failures will be shown as codes. The following table explains the meaning of codes and solutions.

Code	Cause	Corrective Measure
204	Calculation error	Refer to user manual, repeat the procedures.
208	Excessive current	Please contact your distributor
220	Battery low	Replace new batteries.
252	Temperature too high	Working temperature of this device is 0°C ~ +40°C (32°F ~ +104°F)
253	Temperature too low	

255	Received signal too weak or measurement time too long	Use target plate or change a good reflective surface.
256	Received signal too strong	Target too reflective, use target plate or do not aim at strong light objective.
261	Outside of the range of measurement	Select the measurement distance within the range of measurement.
500	Hardware error	Switch on/off the device several times. If the symbol still appears, please contact your dealer for assistance.

## SPECIFICATION

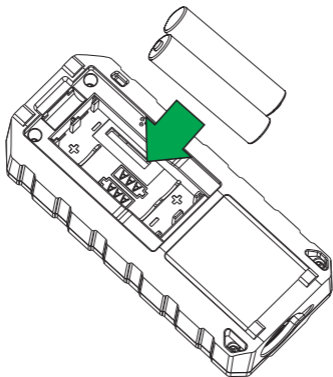
The maximum measuring range <sup>1</sup>	0.2~40m
Measuring accuracy <sup>2</sup>	$\pm(2.0\text{mm}+5\times 10^{-5}\text{D})$
Measuring units	m/ft/in/ft+in
Laser class	Class 2
Laser type	630-670nm, < 1mW
Area ,Volume Measurement	√
Indirect Pythagorean theorem	√
Addition and subtraction	√
Continuous measurement	√
Min. / max. value	√
Beep	√
4-line display with backlight	√

Single distance measurement	√
Historical memory	20 sets
Button	Soft rubber buttons
Operating temperature	0°C~40°C
Storage temperature	-10°C~60°C
Battery life	5,000 measurement times
Battery type	AAA 2 x 1.5V
Auto laser off	30 seconds
Auto instrument off	180 seconds
Dimensions (mm)	115x50x28

1. The maximum measuring range is determined by the version of laser distance meter. During daylight or if the target has poor reflection properties, please use target plate.
2. In favorable conditions (good target surface properties, room temperature), the device can reach up to rated measuring range. In unfavorable conditions, such as intense sunshine, poorly reflecting target surface (black surface) or high temperature variations, the deviation over 10m of distance may increase .

## BATTERY INSERTION

Open the battery compartment then insert batteries according to the direction in the compartment.



For safety, please close the compartment with the provided lid after battery insertion.

## CONTACT US

MILESEEEY has started researching and development Laser measure since 2008, focus on the development, researching, and manufacturing for over 11 years.

MILESEEEY strives to provide you with the highest qualified products and satisfying customer service to make your life easier and smarter.

Please feel free to reach us with any concerns  
[service@mileseey.com](mailto:service@mileseey.com)  
[www.mileseeytools.com](http://www.mileseeytools.com)  
We strive to reply within 24hours.

Warranty:

30-Day return and refund guarantee, 12-Month warranty, lifetime technique support by MILESEEEY



Facebook



2 Year Warranty