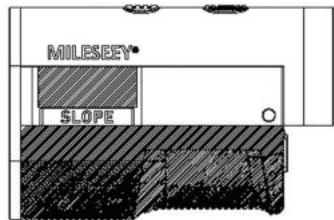


MILESEEE®

GPF12 Pulse Laser Rangefinder Instruction Manual



Product Overview

Thanks for choosing Mileseeey's rangefinder, please read carefully the manual before using it.

Mileseeey's GPF12 product is a portable laser ranging telescope with magnetic. The body of the GPF12 is wrapped with environmentally friendly, harmless, non-slip and wear-resistant soft rubber materials; small in appearance, light in weight, comfortable to hold, and easy to carry. GPF12 has a built-in high-adsorption magnetic strip, which can be firmly attached to the metal parts of the golf cart, which can be taken and placed at any time, which is more convenient.

The GPF12 adopts TOF (Optical Time of Flight) technology to realize Golf Flagpole Mode, Flagpole Lock Vibration Reminder and Angle Switch Functions. The GPF12 has the characteristics of long range, high measurement accuracy, fast measurement speed, intuitive distance display, and low power consumption. It is an intimate assistant for golf, mountaineering,

hunting and other outdoor measurement activities.

GPF12 Features:

1. Slope on/off switch
2. Flag-lock
3. Vibration support
4. Magnetic stripe
5. USB charging

Safety Instructions

⚠ Warning

Do not stare into the laser beam. Eyes can be permanently damaged into the sun to look into sun with the device. Do not aim the device to the sun, it will cause permanent damage to inner to the inner components. Keep the eyepiece away from direct sunlight.



Do not put the device out of the storage temperature of -10~60°C

Magnets may temporarily a normal operation of implanted electronic medical devices, such as pacemakers and implantable defibrillators. Magnets that are a part of this product can damage magnetic media such as floppy disks, hard drives, credit cards, cassette tapes, video tapes or other such devices. They can also damage televisions, computers, cell phones, VCRs, computer monitors and other CRT displays.

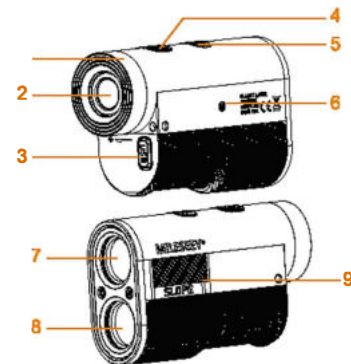
♻ Disposal

Everyone is responsible for environmental protection. It's prohibited to dispose of used batteries together with household waste, please collect used batteries to the designated refuse collection center. This product must not be recycled with household waste. Dispose of the product appropriately in accordance with the national regulations in your country.

Ⓢ Scope of Responsibility

We will not be responsible for any loss if any use of accessories from other manufacturers without approval from us.

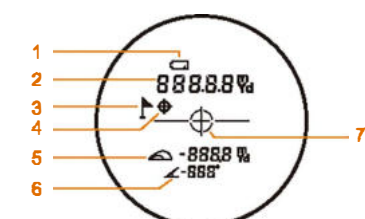
Appearance



- 1: Eyepiece knob
- 2: Eyepiece
- 3: USB charging port
- 4: Power / Measure button
- 5: Unit switch button
- 6: Magnetic stripe
- 7: Objective lens
- 8: Laser receiving lens
- 9: Slope switch

This allows the golfer to conveniently utilize Slope to get compensated distances around the course and have a USGA conforming device that is legal for tournament play.

Icons on LCD Display



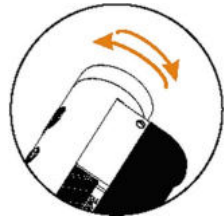
- 1: Low Battery Indicator
- 2: From left to right: Measured Distance, Units
- 3: Flag lock icon
- 4: Scan icon (This icon flashing means it's scanning)

- 5: From left to right: Golf slope adjusted icon, Golf slope adjusted distance, Unit
- 6: From left to right: Angle icon, angle reading, angle unit
- 7: Target

Initial Operation and Settings

Eyepiece

Adjust the eyepiece knob to focus the target.



Power ON/OFF

1. Press the power ON.
2. Automatically switch off after 16s of inactivity.

Unit Change

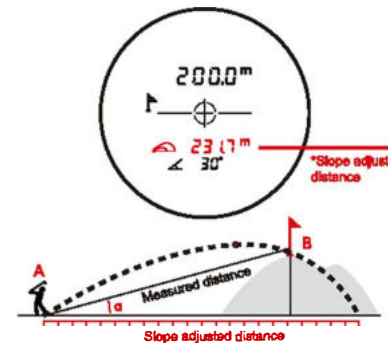
Short press to switch the unit (M· Yd)

Single Measurement

Sho target, the distance will be showed. If slope switch turn on, slope adjusted distance will be showed in the lower right corner, which is a guide distance to show how far you should hit the ball.

Flag Lock Mode

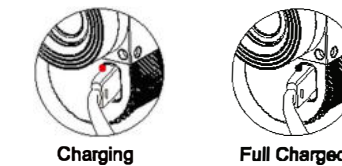
The first target priority algorithm will help you search for the nearest target and provide you with the nearest distance. In golf, this is the most helpful target mode since that nearest distance is usually the flagstick. Long press the power button, scanning, the vibration will provide a confirmation that it's locked onto the flag, the distance will be showed. If Slope switch turn on, slope adjusted distance will be showed in lower right corner, which is a guide distance to show how far you should hit the ball.



Charging Instruction

The device has a built-in 1000mA lithium battery, when " (Low battery indicator) is displayed, please use original USB cable to charge.

When the indicator light is red, it indicates that the battery is charging. When the light turns green, it shows that charging is complete.



Specification

| | |
|-------------------------|---------------------|
| Model | GPF12 |
| Range ① | 600m |
| Accuracy ② | ±(0.5m+0.001D) |
| Measuring Unit | m / Yd |
| Eye Safety | FDA (CFR 21) |
| Field of View | 7° |
| Magnification | 6X |
| Objective Lens Diameter | 22mm |
| Eyepiece Lens Diameter | 16mm |
| Exit Pupil Diameter | 3.7mm |
| Laser Wavelength | 905 nm |
| Diopter | ±5D |
| Diopter Adjustment | Eyepiece adjustment |

| | |
|--------------------------|--------------------------|
| Operating Temperature | 0° C ~+40° C |
| Golf Flagpole Mode | √ |
| Built in Magnetic stripe | √ |
| Vibration alert | √ |
| Angle measurement | √ |
| Power | Built-in Lithium Battery |
| Charging port | USB |
| Dimension | 110*72.5*40.5mm |
| Weight | 210g |

① Range

The maximum range shall be different according to different models. The actual range refers to the package.

② D is for measured distance

Notice

1. In order to protect the coating of the lens, do not touch lens with your fingers.
2. Laser rangefinder has been precisely calibrated by instruments, please send back to dealer for repairing instead of disassemble by yourself.
3. When the lens is contaminated, please wipe gently with clean cloth, do not use tough objects to wipe.
4. Avoid collision or heavy load when carry or use, especially keep away from baking or corrosion.
5. Keep the product away from moisture during storage. Please keep it in a dry, cool and well ventilated place to avoid direct sunlight, dust and temperature mutation.
6. Rain and fog will affect the laser ray-path, which may worsen the measurement accuracy. It also may cause error under very bad weather condition.

CONTACTS

Shenzhen Mileseeey Technology Co., LTD.
Office Add: 36/F, Building 5, Tanglang Town Plaza West, Luxian Avenue, Nanshan, Shenzhen, Guangdong, P.R. China
Factory Add: Zhongkai Six Road #137, Chenjiang Avenue, Zhongkai High-tech Area, Huizhou, Guangdong 516029 China. (Floor 2 & 3 of Intelligent Tower, Innovation Park of Huizhou Tonghu Ecological Smart Zone)
Tel: +86 755-88329055
E-mail: contact@mileseeey.net
Web: www.mileseeey.net