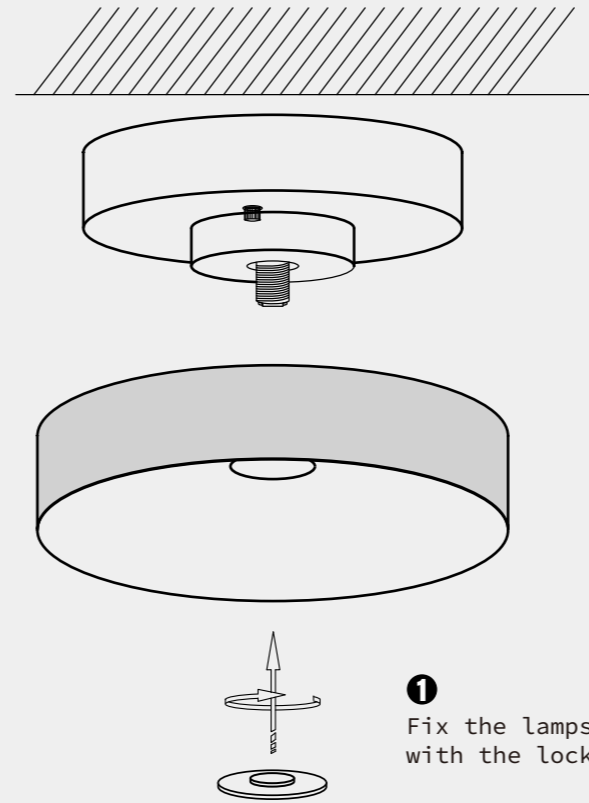
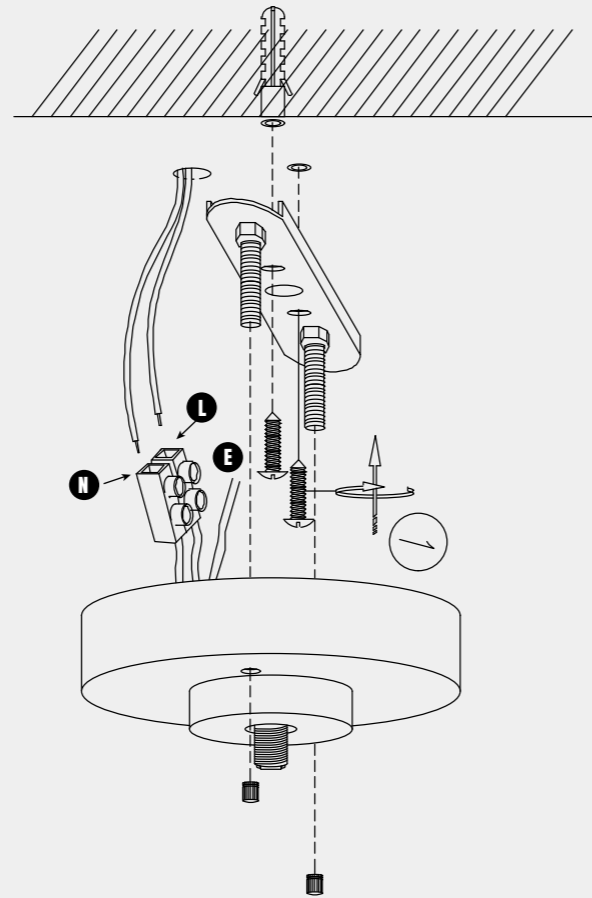
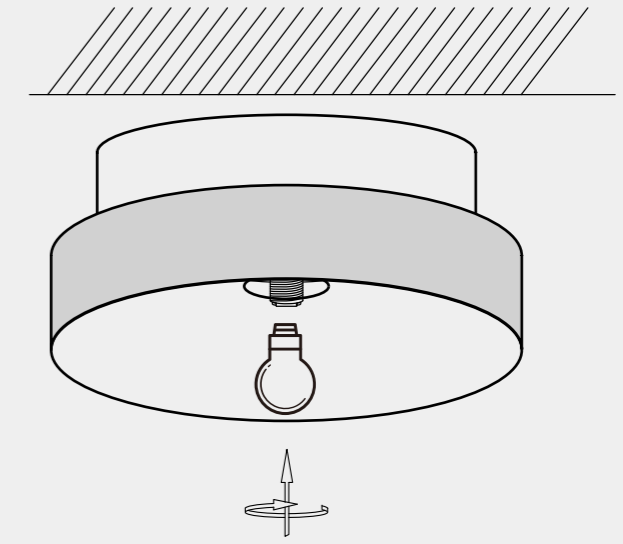


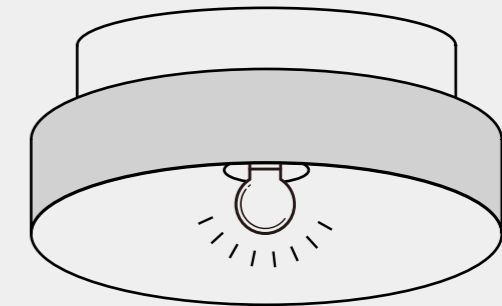
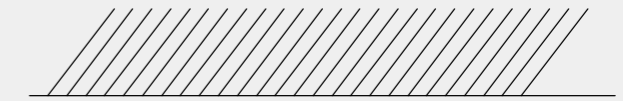
Glass Round LED Ceiling Light



1 Fix the lampshade with the locking plate.

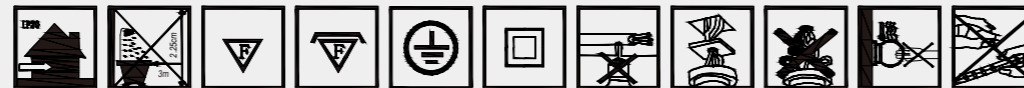


2 Insert the bulb.



3 Installation completed Turn on the power.

THE LAMP INSTRUCTION



Maintenance	Precautions
1.Voltage:110-240V	Keep the lighting away from acidic chemical solvents to avoid damage.
2.Please wear gloves when install.	
3.Don't install it on the moist ceiling.	Tip
4.Turn off the power before cleaning out.	Please follow the instructions then install the parts in the correct order.
5.Please wash with the sanitizer without corrosivity.	