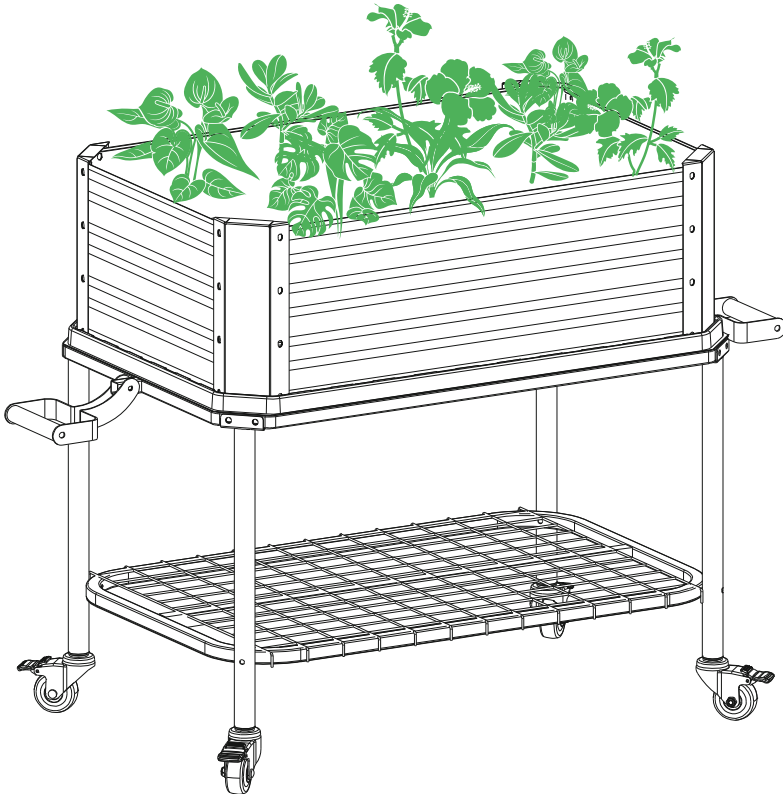




**SAVANA**

# **RAISED GARDEN BED WITH WHEELS** **ASSEMBLY INSTRUCTIONS**



**USER MANUAL**



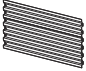
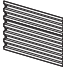




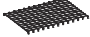
# RAISED GARDEN BED WITH WHEELS SAVANA ASSEMBLY INSTRUCTIONS










## CAUTION










Please be aware of the sharp edges in the metal panels that may cause injury.  
The use of protective equipment such as gloves and closed-toe shoes is recommended.



## WHAT IS IN THE KIT ?

<b>Y13</b>  Long Panels <b>2 pcs</b>	<b>Y12</b>  Short Panels <b>2 pcs</b>	<b>D89</b>  Bracket <b>4 pcs</b>	<b>J145</b>  Tray <b>1 pc</b>	<b>D228</b>  Upper Frame <b>1 pc</b>	<b>D229</b>  Lower Frame <b>1 pc</b>	<b>D274</b>  Wire-Netting <b>1 pc</b>
--	---	--	---	--	--	--

<b>D232</b>  Table Legs <b>4 pcs</b>	<b>H102</b>  Pulley A <b>2 pcs</b>	<b>H103</b>  Pulley B <b>2 pcs</b>	<b>D235 D233</b>  D234 Handle <b>2 sets</b>	<b>J142</b>  Rubber Safety Edging <b>1 pc</b>	<b>S25</b>  Bolts M6×30 <b>2 sets</b>	<b>S21</b>  Bolts M6×10 <b>32 sets</b>	<b>S46</b>  Bolts M6×60 <b>4 sets</b>	<b>S57</b>  Bolts M6×16 <b>4 sets</b>
--	--	--	---	---	---	--	---	---

<b>S22</b>  Bolts M8×20 <b>4 sets</b>	<b>S48</b>  Bolts M8×35 <b>8 sets</b>	<b>M07</b>  Bolts M6 <b>6 sets</b>	<b>J115</b>  Washers A <b>4 sets</b>	<b>H108</b>  Washers B <b>4 sets</b>	<b>H112</b>  Washers C <b>8 sets</b>	<b>M03</b>  Nuts M6 <b>36 sets</b>	<b>M11</b>  Nuts M6 <b>4 sets</b>	<b>M06</b>  Nuts M8 <b>8 sets</b>	<b>J140</b>  Plastic Stopper <b>2 sets</b>
---	---	--	--	--	--	--	---	---	--

## GIVEAWAY



Wrench Tool



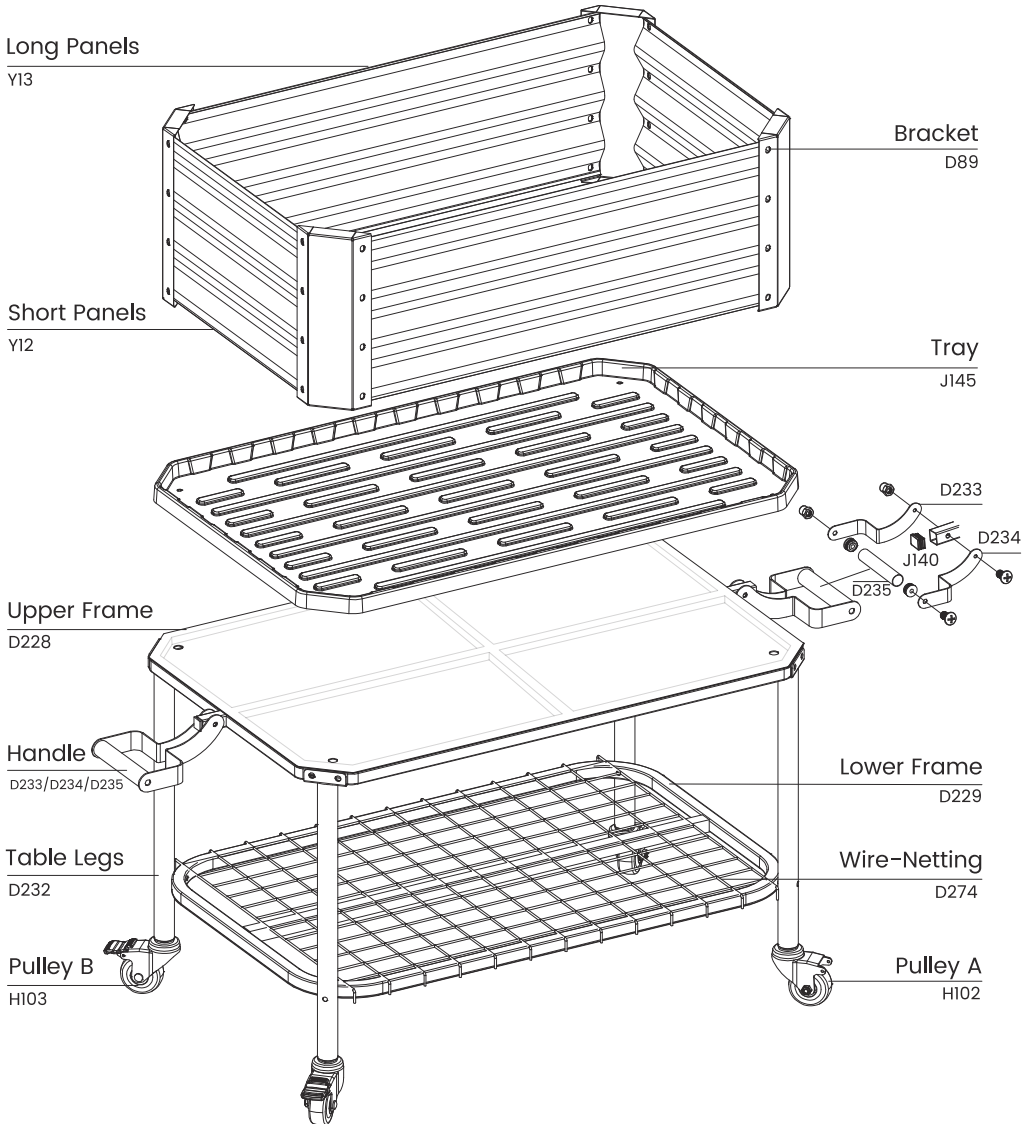
Screwdriver



Gloves

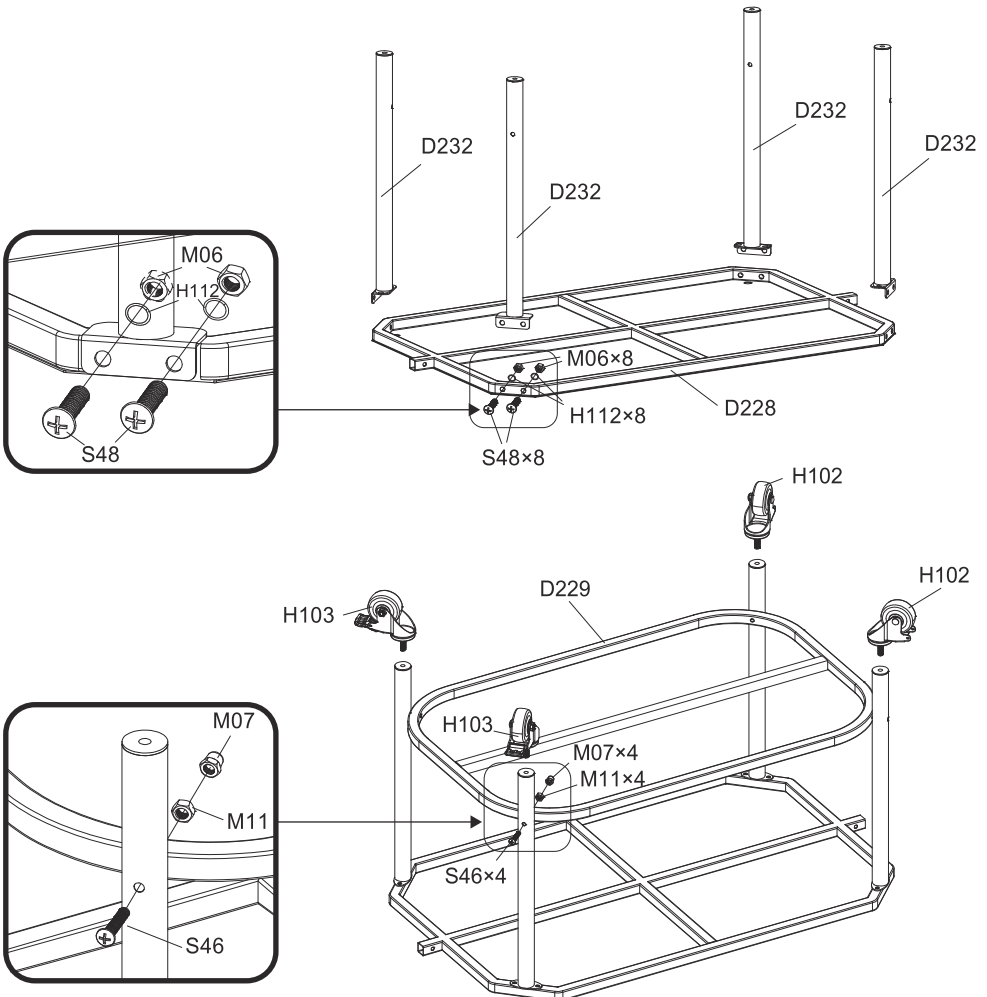


# RAISED GARDEN BED WITH WHEELS ASSEMBLY INSTRUCTIONS

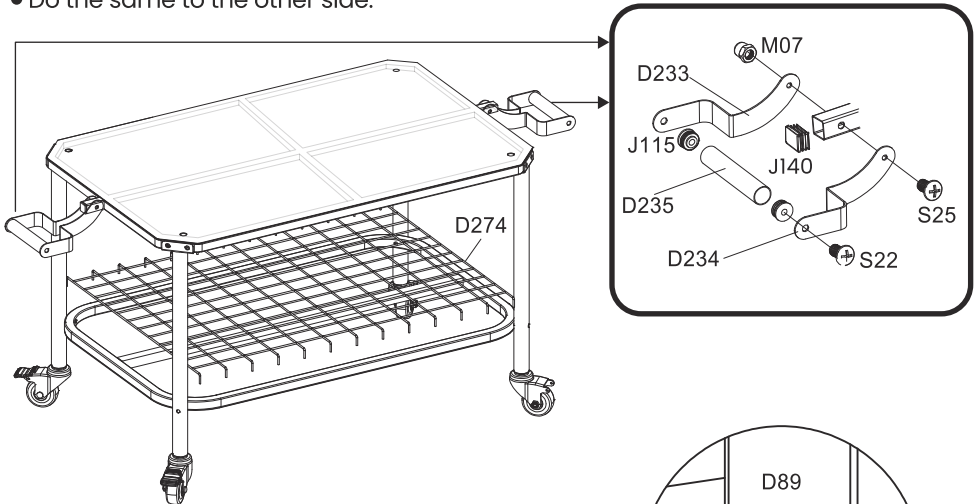


# PRODUCT ASSEMBLY

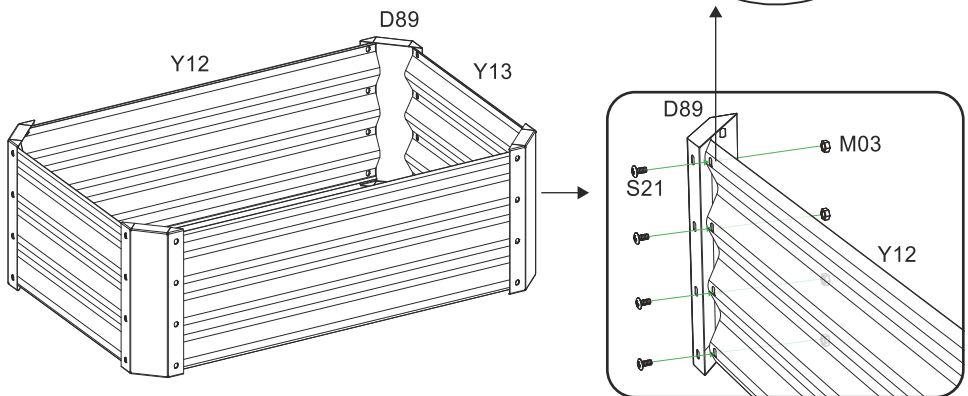
- Fix the four feet D232 to D228, using S48, H112 & M06.
- Fix the D229 to the feet, using S46, M11 & M07. (Notice: need to use a spanner to screw the M11)
- Fix the four wheels H102 & H103 to the feet.



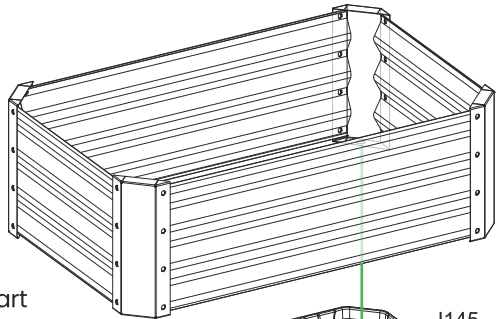
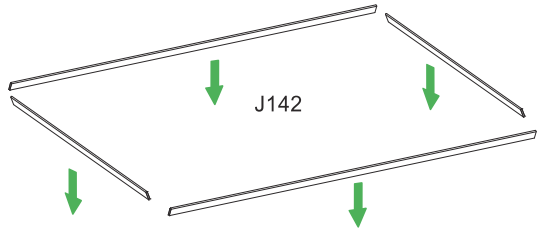
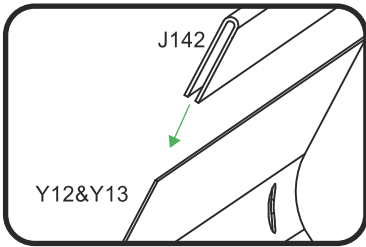
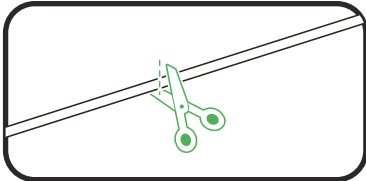
- Stand upright the cart.
- Put two plugs J115 into the tube of D235, and fix it with two brackets D233 & D234, using S22. Then fix this handle to D228, using S25 & M07. Put the Plastic Stopper J140 into the Upper Frame D228.
- Do the same to the other side.



- Fix the garden beds as shown below, using S21 & M03.

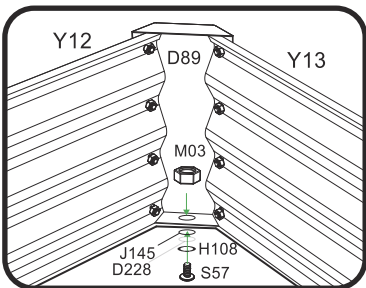
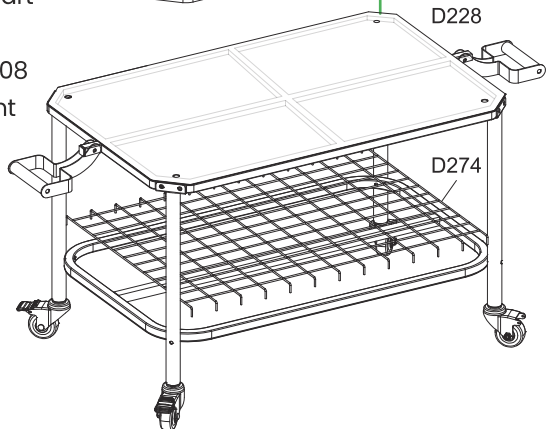
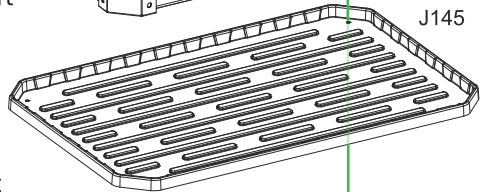


- Cut the rubber bumper into four pieces equal to the length/width of the garden bed, then place them on the two edges.



**Note**

- The garden bed can be fixed on the cart to make it mobile. It can also be used separately.
- If the garden bed and tray are fixed on the cart, put the tray on the cart and fix the garden beds and tray onto the cart using S57, H108 and M03.
- Attention that S57 and the spacer H108 should be fixed from the bottom, tight them up on the top with M03.





## RAISED GARDEN BED WITH WHEELS SAVANA ASSEMBLY INSTRUCTIONS

# FREQUENTLY ASKED QUESTIONS

### **WILL... THE SAVANA RAISED BED GARDEN OVERHEAT?**

The answer is NO. The colored powder-coating with the Aluzinc reflects the heat from the Sun and protects the plants from root burn. It also maintains a warmer temperature in the winter for a longer gardening season. Our metal raised garden beds outperform standard wooden, concrete and plastic beds.

### **GROWING IN THE SAVANA RAISED GARDEN BED...IS IT SAFE?**

The answer is YES. The SAVANA Raised Garden Beds are made from 24 gauge galvanized steel, powder-coated with color and coated with Aluzinc, a zinc-aluminum alloy. The coating provides great resistance to different acidic levels found in most garden soils creating a safe and healthy garden environment.

## NOTICE

Please retain these instructions for future reference.

---

- Do not use as a step ladder or stand on any part of the product.
- Fasten all bolts, screws and knobs firmly before use.
- Reconfirm that all bolts, screws and knobs are secure every 90 days.
- Note that some parts are heavy and have sharp edges.
- Make sure that all parts of this product are in good working condition before beginning to use it. If any parts are broken, damaged, worn out or missing, stop using this product until they are repaired or the factory's replacement parts are installed.
- Please follow this manual's installation and usage instructions, otherwise improper use may void the product warranty.



**SAVANA**

## HELP CENTER

Have questions about your product? We're here to help.

[hello@savanagarden.com](mailto:hello@savanagarden.com)

Visit us at:

[www.savanagarden.com](http://www.savanagarden.com)



Chat Support



Product Inquiry



Orders FAQ



Product Assembly



Shipping



Returns & Refunds