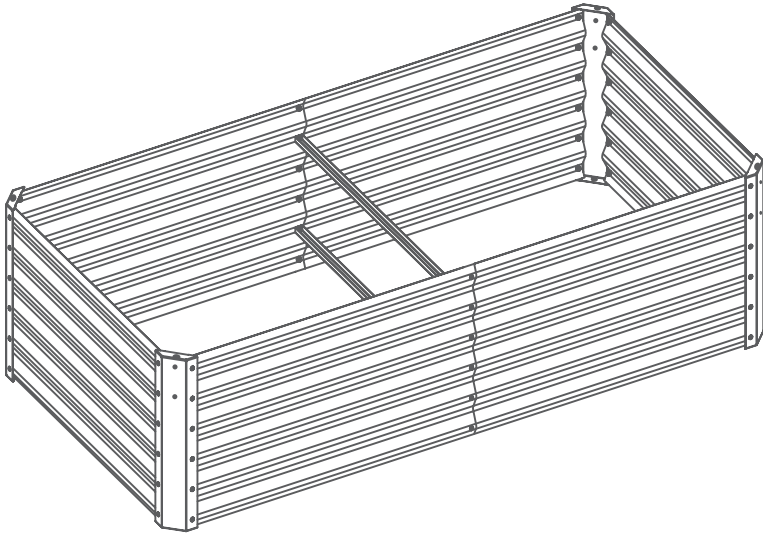




**SAVANA**



# USER MANUAL

Raised Metal Garden Bed

Product Size: 48" x 96" x 17"

## NOTICE

Please retain these instructions for future reference.

- Do not use as a step ladder or stand on any part of the product.
- Fasten all bolts, screws and knobs firmly before use.
- Reconfirm that all bolts, screws and knobs are secure every 90 days.
- Note that some parts are heavy and have sharp edges.
- Make sure that all parts of this product are in good working condition before beginning to use it .If any parts are broken, damaged, worn out or missing, stop using this product until they are repaired or the factory's replacement parts are installed.
- Please follow this manual's installation and usage instructions, otherwise improper use may void the product warranty.

## CAUTION

Please be aware that the metal panels on this unit may cause injury. We recommend using protective equipment such as gloves and closed toe shoes to avoid any accidents from happening!



## HARDWARE

**1** M6 X 10mm  
SCREW



60 PCS

**2** M03 NUTS



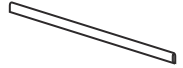
60 PCS

**3** STAKE



4 PCS

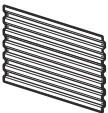
**4** RUBBER  
BUMPER



1 PC

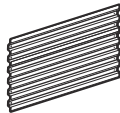
## PARTS

**A** END PANEL



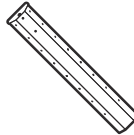
2 PCS

**B** SIDE PANEL



4 PCS

**C** BRACKET



4 PCS

**D** BRACING ROD



2 PCS

## TOOLS & ASSEMBLY



PHILLIPS  
SCREWDRIVER



SCISSORS



1 PERSON  
ASSEMBLY



UP TO 45 MIN.  
ASSEMBLY

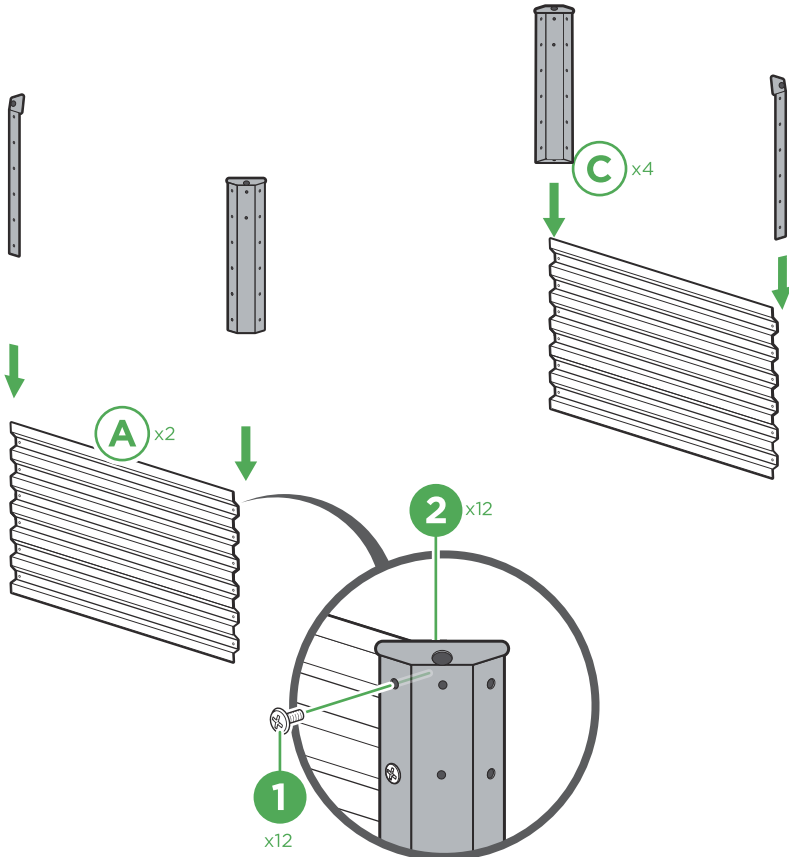
## PRODUCT ASSEMBLY

1

Take out all of the pieces and lay them out.

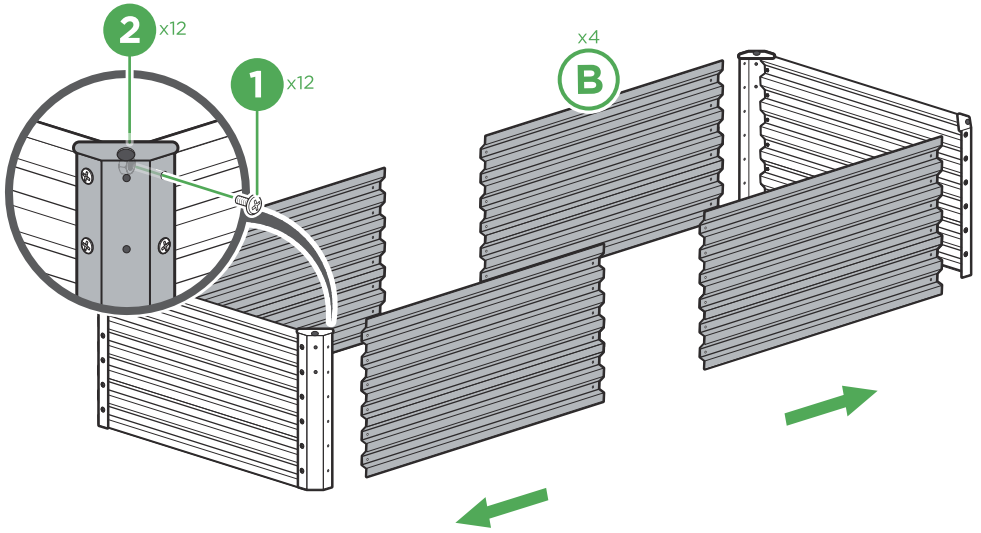
2

Connect two (C) brackets to one (A) end panel with twelve (#1) screws and secure with twelve (#2) M03 nuts. Repeat with the other end.



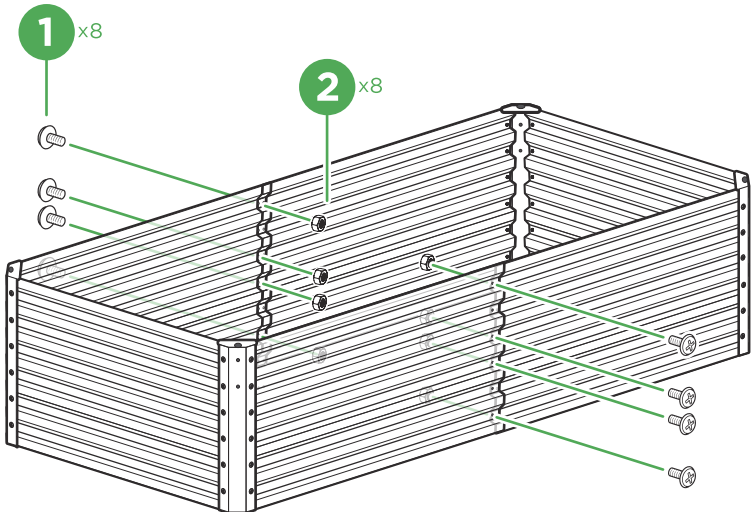
3

Connect two (B) side panels to two (C) brackets assemblies with twelve (#1) screws, and secure with twelve (#2) M03 nuts. Repeat with the other end.

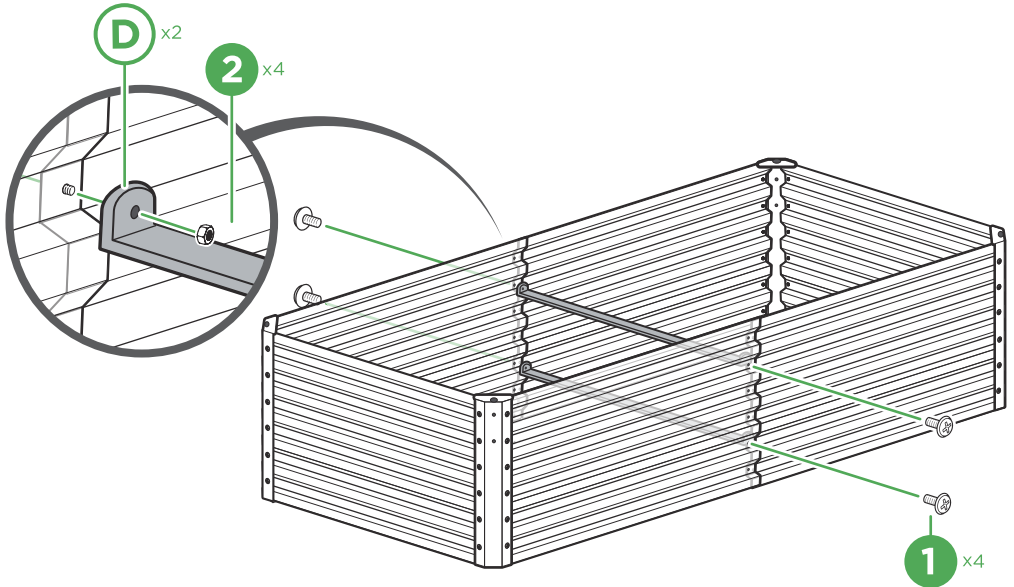


4

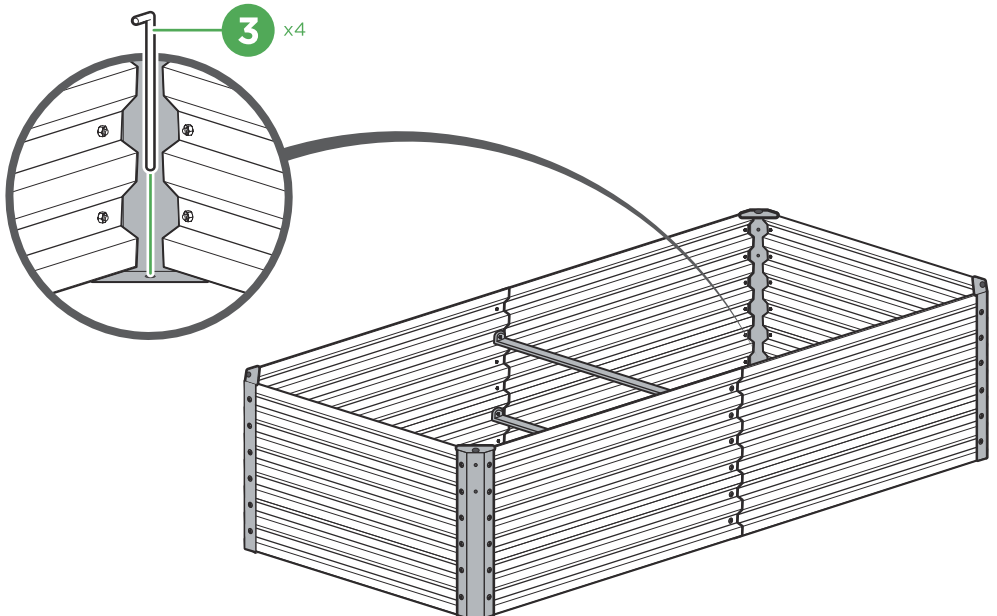
Overlap the two halves of the garden bed, then connect eight (#1) screws and eight (#2) M03 nuts to secure. Keep the second and fourth set of connector holes empty.



**5** Connect the two (D) bracing rods with four (#1) screws and four (#2) M03 nuts.

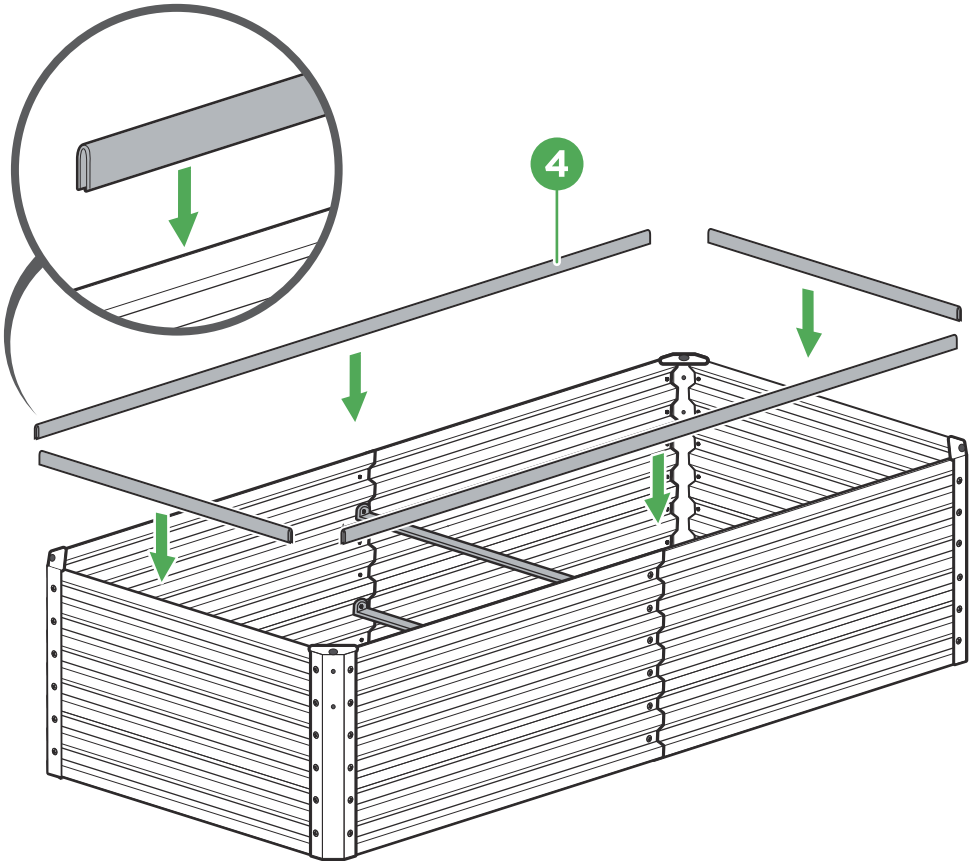
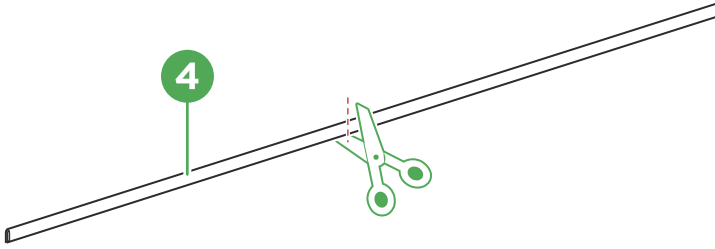


**6** Use four (#3) stakes to secure the brackets, with one stake per bracket.



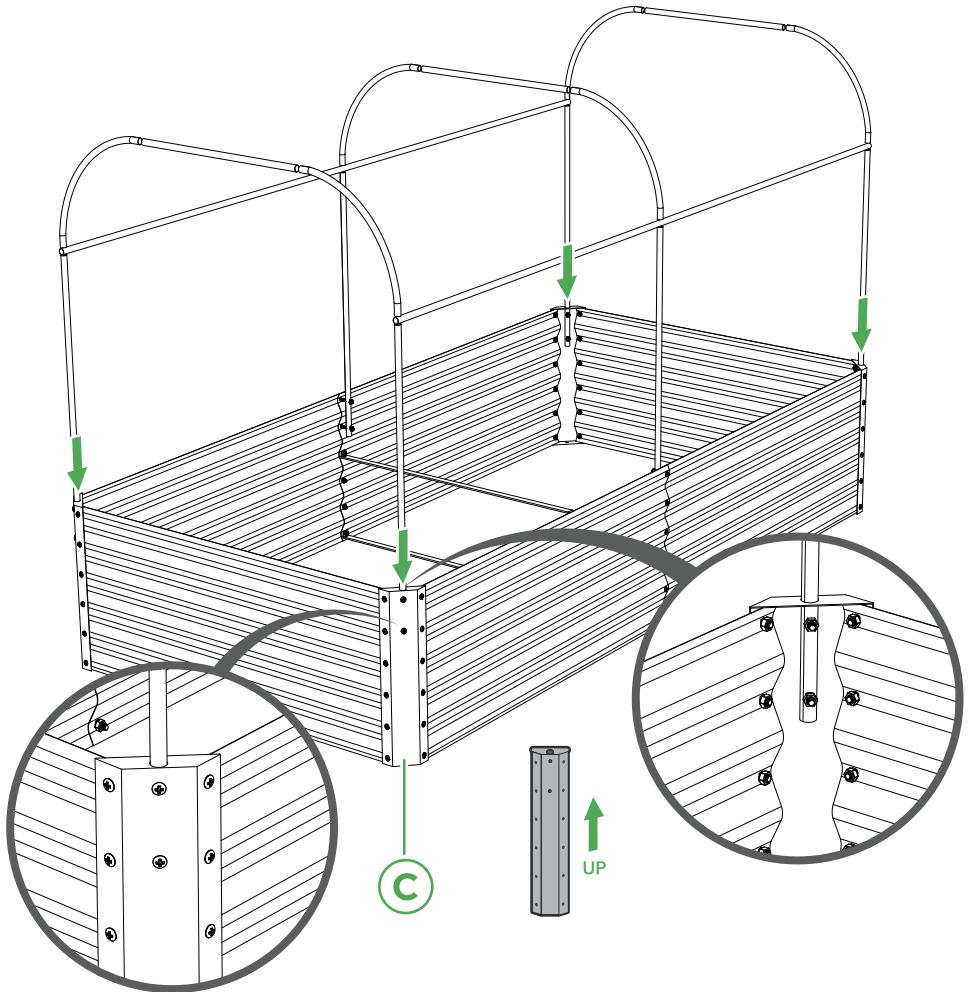
7

Measure and cut the (#4) rubber bumper into four pieces to match the length/width of the sides of the garden bed, then slide them on to the top edges.



## EXTENDED DESIGN

 Garden arches are not included in the metal raised garden bed package.



The (C) bracket includes additional holes for easy installation and securing of garden arches (sold separately). The maximum diameter of these holes is 17 mm. If connecting arches, the diameter of connecting tubes cannot exceed 17mm.

Garden arches can be bought at [www.savanagarden.com](http://www.savanagarden.com).



# SAVANA

Savana's line of raised planter beds is designed for quality and convenient use. We're here to help you have a truly fantastic gardening experience.

## HELP CENTER

Have questions about your product? We're here to help.

[hello@savanagarden.com](mailto:hello@savanagarden.com)

Visit us at:

[www.savanagarden.com](http://www.savanagarden.com)



Chat Support



Product Inquiry



Orders FAQ



Product Assembly



Shipping



Returns & Refunds