

- Aluminum Rear Sprockets
- Hybrid Rear Sprockets
- OEM Size Brakes**
- 280mm Over Size Brakes
- Semi-Metallic Brake Pads



FEATURES:

- OEM size brake rotor made of the highest-quality stainless steel(T420) to fit all OEM hubs.
- All OEM size rotor designed by CAD-CAM and tested with a stress analysis program, minimizes heat transfer, equalizes dissipation and evens out pad wear as well as rider tested prior to being sold on the market.
- Heat-treated to each specific application (to assure warp resistance)
- Double disc – parallel grinding to assure perfect parallel flatness
- Provide maximum stopping power while remaining perfectly flat





APPLICATIONS

MXCHAMP ExtraLite Series OEM Size Brake Rotor

Model	Year	SKU#	
		OEM Front Rotor	OEM Rear Rotor
CR 125R	95-07	801031	801007
CR 250R	95-07	801031	801007
CRF 250X	06-13	801031	801007
CRF 250R	15-23	801032	801007
	04-14	801031	801007
CRF 250RX	19-23	801032	801007
CRF 450RX	17-23	801032	801007
CRF 450R	15-23	801032	801007
	02-14	801031	801007
CRF 450R WE	20-22	801032	801007
CRF 450X	05-13	801031	801007
CR 500R	95-01	801031	801007

Aluminum
Rear Sprockets

Hybrid
Rear Sprockets

OEM Size
Brakes

280mm Over
Size Brakes

Semi-Metallic
Brake Pads



APPLICATIONS

MXCHAMP ExtraLite Series OEM Size Brake Rotor

Model	Year	SKU#	
		OEM Front Rotor	OEM Rear Rotor
KX 250	22-23	823037	803016
	20	823037	803016
	06-08	803037	803016
KX 250F	20-21	823037	803016
	04-14	803037	803016
	15-22	803038	803016
KLX 450R	08-09	803037	803016
KX 450F	06-14	803037	803016
	15-22	803038	803016
KX 450	20	823037	803016
	22-23	823037	803016
KX 450SR	22-23	823037	803016
KX 500	86-04	803037	803016



APPLICATIONS

MXCHAMP ExtraLite Series OEM Size Brake Rotor

Model	Year	SKU#	
		OEM Front Rotor	OEM Rear Rotor
RM-Z 250	07-18	805036	805053
	18-23	805037	805053
RM-Z 450	08-17	805036	805053
	18-23	805037	805053



APPLICATIONS

- Aluminum Rear Sprockets
- Hybrid Rear Sprockets
- OEM Size Brakes
- 280mm Over Size Brakes
- Semi-Metallic Brake Pads

MXCHAMP ExtraLite Series OEM Size Brake Rotor			
Model	Year	SKU#	
		OEM Front Rotor	OEM Rear Rotor
125 SX	16-24	802033	802018
125 XC-W	98-19	802033	802018
125 XC	98-18	802033	802018
	21-24	802033	802018
125 EXC	98-19	802033	802018
125 SXS	98-15	802033	802018
144 SX	98-18	802033	802018
144 EXC	98-18	802033	802018
144 XC	98-17	802033	802018
144 XC-W	98-17	802033	802018
150 SX	16-22	802033	802018
150 XC-W	17-19	802033	802018
	23-24	802033	802018
150 EXC	98-18	802033	802018
	20	802033	802018
150 XC	98-18	802033	802018
200 XC-W	98-18	802033	802018
200 XC	98-18	802033	802018
200 SX	98-18	802033	802018
200 MXC	98-18	802033	802018
200 EXC	98-16	802033	802018
250 SX	16-22	802033	802018
250 XC-W	23	802033	802018
	17-18	802033	802018
250 XC	98-20	802033	802018
250 EXC	98-19	802033	802018
250 MXC	98-17	802033	802018
250 EXC-G RACING	98-15	802033	802018
250 SX-F	06-23	802033	802018
250 XC-F	16-23	802033	802018
250 EXC-F 6 DAYS	09-19	802033	802018
250 SXS-F	06-16	802033	802018
300 XC	17-19	802033	802018
	23-24	802033	802018
300 XC-W	17-18	802033	802018
	22-23	802033	802018
300 EXC	97-19	802033	802018
300 SX	97-18	802033	802018
	24	802033	802018
300 EXC 6 DAYS	09	802033	802018
350 EXC-F 6 DAYS	12-19	802033	802018
350 SX-F	16-23	802033	802018
350 EXC	11-20	802033	802018
350 XC	11-20	802033	802018
350 SX	11-19	802033	802018
350 XC-F	16-23	802033	802018
350 XCF-W	11-15	802033	802018
	21	802033	802018
400 SX	00-10	802033	802018
400 EXC-G	00-10	802033	802018
400 XC-W	00-10	802033	802018
400 EXC	00-10	802033	802018



APPLICATIONS

MXCHAMP ExtraLite Series OEM Size Brake Rotor

Model	Year	SKU#	
		OEM Front Rotor	OEM Rear Rotor
450 EXC	03-22	802033	802018
450 EXCF	20	802033	802018
450 XC-F	16-24	802033	802018
450 SX-F	03-24	802033	802018
450 SXC	03-20	802033	802018
450 XC-W	03-19	802033	802018
450 SX	03-19	802033	802018
450 XCR-W	03-17	802033	802018
450 XC-G	03-15	802033	802018
500 XC-W	12-16	802033	802018
500 EXC-W	12-15	802033	802018
500 EXC 6 DAYS	11-16	802033	802018
500 EXC-F	17-20	802033	802018
	23	802033	802018
500 XCF-W	08-22	802033	802018
500 EXC	08-20	802033	802018
500 XC-F	08-17	802033	802018
500 XC	08-17	802033	802018
500 SC-W	08-17	802033	802018
500 XCR-W	08-16	802033	802018
500 LC4 EXC	08-15	802033	802018
500 LC4	08-15	802033	802018
500 LC4 MX	08-15	802033	802018
500 MX	08-15	802033	802018
500 MXC	08-15	802033	802018
500 SXR	08-15	802033	802018
500 SX	98	802033	802018
	08-17	802033	802018

Aluminum
Rear Sprockets

Hybrid
Rear Sprockets

OEM Size
Brakes

280mm Over
Size Brakes

Semi-Metallic
Brake Pads



APPLICATIONS

- Aluminum Rear Sprockets
- Hybrid Rear Sprockets
- OEM Size Brakes
- 280mm Over Size Brakes
- Semi-Metallic Brake Pads

MXCHAMP ExtraLite Series OEM Size Brake Rotor

Model	Year	SKU#	
		OEM Front Rotor	OEM Rear Rotor
YZ 125	01-16	804046	804027
	17-23	804047	804027
YZ 250F	02-15	804046	804027
	16-24	804047	804027
YZ 250	01-16	804046	804027
	17-23	804047	804027
WR 250F	02-16	804046	804027
	17-22	804047	804027
WR 426F	02	804046	804027
YZ 426F	01-02	804046	804027
YZ 450FX	21-23	804047	804027
YZ 450F	03-15	804046	804027
	16-23	804047	804027
WR 450F	03-15	804046	804027
	16-22	804047	804027



APPLICATIONS

MXCHAMP ExtraLite Series OEM Size Brake Rotor

Model	Year	SKU#	
		OEM Front Rotor	OEM Rear Rotor
TC 125	16-21	806033	806018
	24	806033	806018
TE 125	16	806033	806018
TE 150	17-19	806033	806018
	23-24	806033	806018
TE 150i	21	806033	806018
FE 250	14-22	806033	806018
FC 250	16-24	806033	806018
TC 250	14-22	806033	806018
	24	806033	806018
TE 250	16-18	806033	806018
TE 250i	18-21	806033	806018
	24	806033	806018
TE 300i	19-22	806033	806018
	24	806033	806018
TX 300	17-19	806033	806018
TE 300	16-18	806033	806018
	23	806033	806018
TC 300	14-18	806033	806018
FC 300	14-18	806033	806018
FE 300	14-17	806033	806018
TE 310	14-16	806033	806018
TC 310	14-16	806033	806018
FX 350	24	806033	806018
	17-20	806033	806018
FC 350	16-18	806033	806018
	20-23	806033	806018
FE 350	14-23	806033	806018
FE 350S	16	806033	806018
	20-21	806033	806018
	24	806033	806018
TE 350	14-20	806033	806018
TC 350	14-18	806033	806018
FC 450	18-24	806033	806018
	16	806033	806018
FX 450	17-20	806033	806018
FE 450	16-19	806033	806018
	24	806033	806018
FE 501	16-21	806033	806018
	23	806033	806018
FE 501S	16	806033	806018
	20-21	806033	806018
	24	806033	806018

Aluminum
Rear Sprockets

Hybrid
Rear Sprockets

OEM Size
Brakes

280mm Over
Size Brakes

Semi-Metallic
Brake Pads

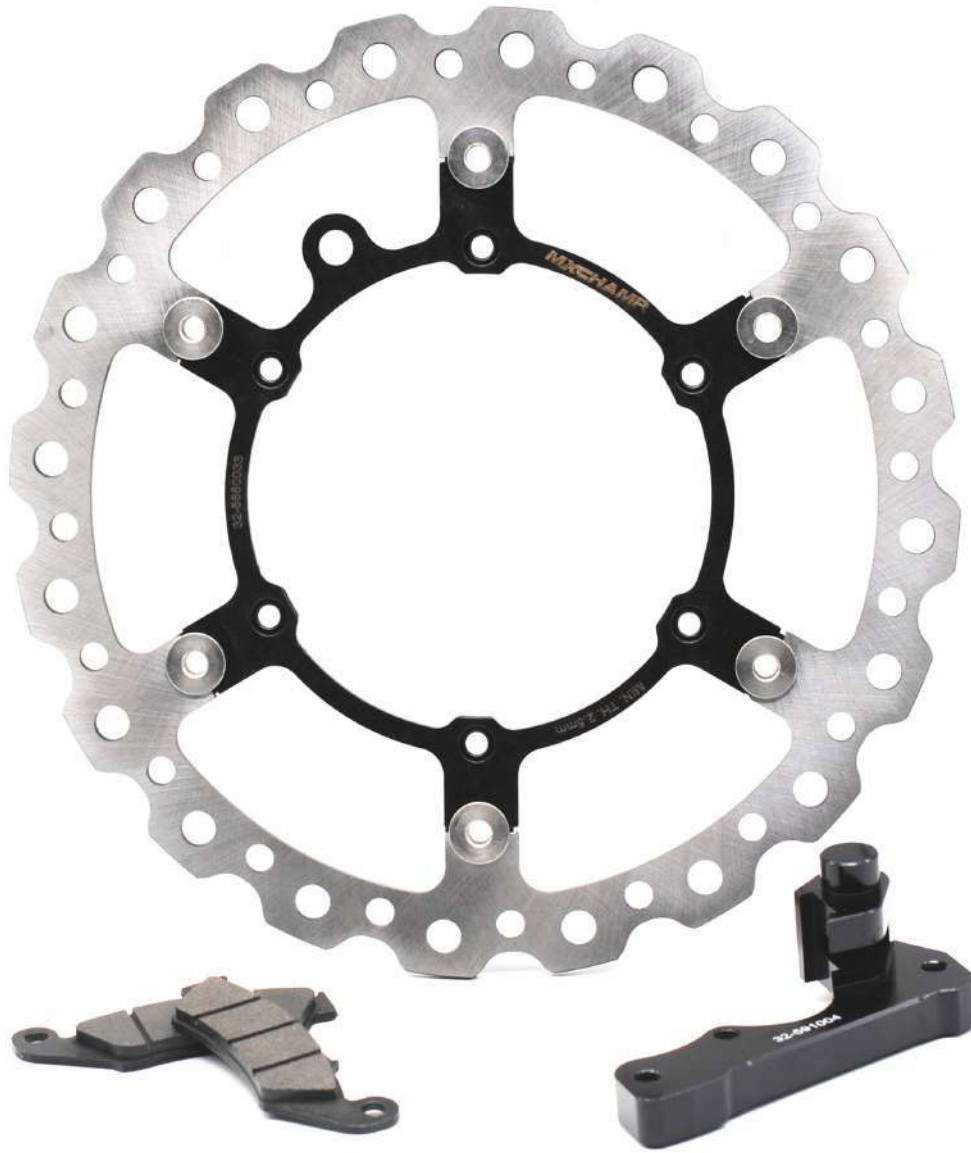
- Aluminum Rear Sprockets
- Hybrid Rear Sprockets
- OEM Size Brakes
- 280mm Over Size Brakes
- Semi-Metallic Brake Pads



APPLICATIONS

MXCHAMP ExtraLite Series OEM Size Brake Rotor

Model	Year	SKU#	
		OEM Front Rotor	OEM Rear Rotor
MC 125	21-22	807033	807018
MC 250F	20-22	807033	807018
EX 250F	21	807033	807018
EC 250	22-23	807033	807018
EX 250	23	807033	807018
EX 250F	22-23	807033	807018
EC 300	21-23	807033	807018
EX 300	21-23	807033	807018
EX 300F	22	807033	807018
EX 350F	21	807033	807018
	23	807033	807018
EX 450F	21-23	807033	807018
MC 450F	20-22	807033	807018



FEATURES:

- 280mm oversize floating rotors constructed of the highest-quality stainless steel(T420)
- Most resistant to higher temperatures and much more aggressive in braking due to the better contact between the rotor and pad
- Double disc – parallel grinding to assure perfect parallel flatnes
- Brackets (sold separately) are precision CNC-machined from 6061-T6 billet aluminum or as part of a kit that includes semi-metallic pads.
- Rotor float to expand and contract as they heat up without warping
- Provide maximum stopping power while remaining perfectly flat
- Better handling of the bike and progression in brake feeling compared to any other brand rotor



Slotted Design Heat-Disappearing Hole
(for Enduro)



Flat Design Heat-Disappearing Hole
(for Motorcross/Supercross)

Aluminum
Rear Sprockets

Hybrid
Rear Sprockets

OEM Size
Brakes

280mm Over
Size Brakes

Semi-Metallic
Brake Pads

- Aluminum Rear Sprockets
- Hybrid Rear Sprockets
- OEM Size Brakes
- 280mm Over Size Brakes
- Semi-Metallic Brake Pads



APPLICATIONS

MXCHAMP ExtraLite Series 280mm Over Size Floating Front Brake Rotor Kit			
Model	Year	SKU#	
		280mm Floating Rotor	Bracket
CR 125R	95-07	811031	811053
CR 250R	95-07	811031	811053
CRF 250X	06-13	811031	811053
CRF 250R	15-23	811031	811067
	04-14	811031	811053
CRF 250RX	19-23	811031	811053
CRF 450RX	17-23	811031	811053
CRF 450R	15-23	811031	811067
	02-14	811031	811053
CRF 450R WE	20-22	811031	811053
CRF 450X	05-13	811031	811053
CR 500R	95-01	811031	811053



APPLICATIONS

MXCHAMP ExtraLite Series 280mm Over Size Floating Front Brake Rotor Kit			
Model	Year	SKU#	
		280mm Floating Rotor	Bracket
KX 250	22-23	813037	813049
	20	813037	813049
	06-08	813037	813047
KX 250F	04-14	813037	813047
	15-22	813037	813048
	20-21	813037	813049
KLX 450R	08-09	813037	813047
KX 450F	06-14	813037	813047
	15-22	813037	813048
KX 450	20	813037	813049
	22-23	813037	813049
KX 450SR	22-23	813037	813049
KX 500	86-04	813037	813047



APPLICATIONS

MXCHAMP ExtraLite Series 280mm Over Size Floating Front Brake Rotor Kit			
Model	Year	SKU#	
		280mm Floating Rotor	Bracket
RM-Z 250	07-17	815036	815047
	18-21	815037	815048
RM-Z 450	08-17	815036	815047
	18-21	815037	815048



APPLICATIONS

MXCHAMP ExtraLite Series 280mm Over Size Floating Front Brake Rotor Kit

Model	Year	SKU#	
		280mm Floating Rotor	Bracket
CR 125R	95-07	811031	811053
CR 250R	95-07	811031	811053
CRF 250X	06-13	811031	811053
CRF 250R	15-23	811031	811067
	04-14	811031	811053
CRF 250RX	19-23	811031	811053
CRF 450RX	17-23	811031	811053
CRF 450R	15-23	811031	811067
	02-14	811031	811053
CRF 450R WE	20-22	811031	811053
CRF 450X	05-13	811031	811053
CR 500R	95-01	811031	811053

- Aluminum Rear Sprockets
- Hybrid Rear Sprockets
- OEM Size Brakes
- 280mm Over Size Brakes**
- Semi-Metallic Brake Pads



APPLICATIONS

MXCHAMP ExtraLite Series 280mm Over Size Floating Front Brake Rotor Kit

Model	Year	SKU#	
		280mm Floating Rotor	Bracket
KX 250	22-23	813037	813049
	20	813037	813049
	06-08	813037	813047
KX 250F	04-14	813037	813047
	15-22	813037	813048
	20-21	813037	813049
KLX 450R	08-09	813037	813047
KX 450F	06-14	813037	813047
	15-22	813037	813048
KX 450	20	813037	813049
	22-23	813037	813049
KX 450SR	22-23	813037	813049
KX 500	86-04	813037	813047



APPLICATIONS

MXCHAMP ExtraLite Series 280mm Over Size Floating Front Brake Rotor Kit

Model	Year	SKU#	
		280mm Floating Rotor	Bracket
RM-Z 250	07-17	815036	815047
	18-21	815037	815048
RM-Z 450	08-17	815036	815047
	18-21	815037	815048



APPLICATIONS

MXCHAMP ExtraLite Series 280mm Over Size Floating Front Brake Rotor Kit

Model	Year	SKU#	
		280mm Floating Rotor	Bracket
125 SX	16-24	812033	812045
125 XC-W	98-19	812033	812045
125 XC	98-18	812033	812045
	21-24	812033	812045
125 EXC	98-19	812033	812045
125 SXS	98-15	812033	812045
144 SX	98-18	812033	812045
144 EXC	98-18	812033	812045
144 XC	98-17	812033	812045
144 XC-W	98-17	812033	812045
150 SX	16-22	812033	812045
150 XC-W	17-19	812033	812045
	23-24	812033	812045
150 EXC	98-18	812033	812045
	20	812033	812045
150 XC	98-18	812033	812045
200 XC-W	98-18	812033	812045
200 XC	98-18	812033	812045
200 SX	98-18	812033	812045
200 MXC	98-18	812033	812045
200 EXC	98-16	812033	812045
250 SX	16-22	812033	812045
250 XC-W	23	812033	812045
	17-18	812033	812045
250 XC	98-20	812033	812045
250 EXC	98-19	812033	812045
250 MXC	98-17	812033	812045
250 EXC-G RACING	98-15	812033	812045
250 SX-F	06-23	812033	812045
250 XC-F	16-23	812033	812045
250 EXC-F 6 DAYS	09-19	812033	812045
250 SXS-F	06-16	812033	812045
300 XC	17-19	812033	812045
	23-24	812033	812045
300 XC-W	17-18	812033	812045
	22-23	812033	812045
300 EXC	97-19	812033	812045
300 SX	97-18	812033	812045
	24	812033	812045
300 EXC 6 DAYS	09	812033	812045
350 EXC-F 6 DAYS	12-19	812033	812045
350 SX-F	16-23	812033	812045
350 EXC	11-20	812033	812045
350 XC	11-20	812033	812045
350 SX	11-19	812033	812045
350 XC-F	16-23	812033	812045
350 XCF-W	11-15	812033	812045
	21	812033	812045
400 SX	00-10	812033	812045
400 EXC-G	00-10	812033	812045

Aluminum
Rear Sprockets

Hybrid
Rear Sprockets

OEM Size
Brakes

280mm Over
Size Brakes

Semi-Metallic
Brake Pads



APPLICATIONS

MXCHAMP ExtraLite Series 280mm Over Size Floating Front Brake Rotor Kit

Model	Year	SKU#	
		280mm Floating Rotor	Bracket
YZ 125	01-16	814046	814049
	17-23	814046	814050
YZ 250F	02-15	814046	814049
	16-24	814046	814050
YZ 250	01-16	814046	814049
	17-23	814046	814050
WR 250F	01-16	814046	814049
	17-23	814046	814050
WR 426F	02	814046	814049
YZ 426F	01-02	814046	814049
YZ 450F	03-15	814046	814049
	16-23	814046	814050
WR 450F	03-15	814046	814049
	16-22	814046	814050

Aluminum Rear Sprockets

Hybrid Rear Sprockets

OEM Size Brakes

280mm Over Size Brakes

Semi-Metallic Brake Pads



APPLICATIONS

- Aluminum Rear Sprockets
- Hybrid Rear Sprockets
- OEM Size Brakes
- 280mm Over Size Brakes
- Semi-Metallic Brake Pads

MXCHAMP ExtraLite Series 280mm Over Size Floating Front Brake Rotor Kit			
Model	Year	SKU#	
		280mm Floating Rotor	Bracket
TC 125	16-21	816033	816045
	24	816033	816045
TE 125	16	816033	816045
TE 150	17-19	816033	816045
	23-24	816033	816045
TE 150i	21	816033	816045
FE 250	14-22	816033	816045
FC 250	16-24	816033	816045
TC 250	14-22	816033	816045
	24	816033	816045
TE 250	16-18	816033	816045
TE 250i	18-21	816033	816045
	24	816033	816045
TE 300i	19-22	816033	816045
	24	816033	816045
TX 300	17-19	816033	816045
TE 300	16-18	816033	816045
	23	816033	816045
TC 300	14-18	816033	816045
FC 300	14-18	816033	816045
FE 300	14-17	816033	816045
TE 310	14-16	816033	816045
TC 310	14-16	816033	816045
FX 350	24	816033	816045
	17-20	816033	816045
FC 350	16-18	816033	816045
	20-23	816033	816045
FE 350	14-23	816033	816045
FE 350S	16	816033	816045
	20-21	816033	816045
	24	816033	816045
TE 350	14-20	816033	816045
TC 350	14-18	816033	816045
FC 450	18-24	816033	816045
	16	816033	816045
FX 450	17-20	816033	816045
FE 450	16-19	816033	816045
	24	816033	816045
FE 501	16-21	816033	816045
	23	816033	816045
FE 501S	16	816033	816045
	20-21	816033	816045
	24	816033	816045



APPLICATIONS

MXCHAMP ExtraLite Series 280mm Over Size Floating Front Brake Rotor Kit

Model	Year	SKU#	
		280mm Floating Rotor	Bracket
MC 125	21-22	817033	817045
MC 250F	20-22	817033	817045
EX 250F	21	817033	817045
EC 250	22-23	817033	817045
EX 250	23	817033	817045
EX 250F	22-23	817033	817045
EC 300	21-23	817033	817045
EX 300	21-23	817033	817045
EX 300F	22	817033	817045
EX 350F	21	817033	817045
	23	817033	817045
EX 450F	21-23	817033	817045
MC 450F	20-22	817033	817045

Aluminum
Rear Sprockets

Hybrid
Rear Sprockets

OEM Size
Brakes

280mm Over
Size Brakes

Semi-Metallic
Brake Pads

Aluminum
Rear Sprockets

Hybrid
Rear Sprockets

OEM Size
Brakes

280mm Over
Size Brakes

Semi-Metallic
Brake Pads

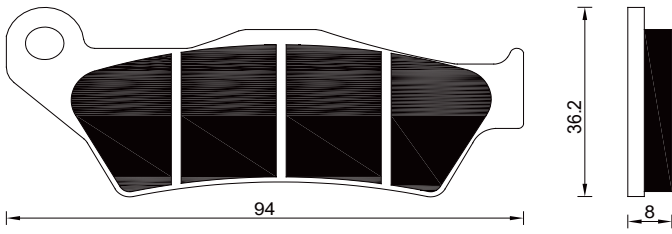


FEATURES

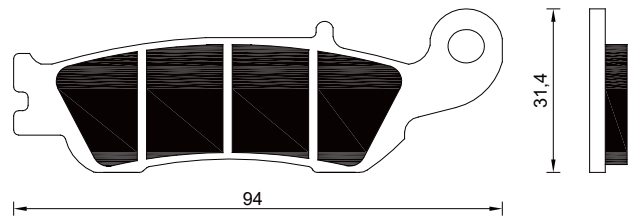
- Best performance at lower temperatures
- Offers an aggressive response
- Better heat dissipation than OEM brake pads
- Reduce brake fade providing better control
- Progressive feel whilst braking

- Aluminum Rear Sprockets
- Hybrid Rear Sprockets
- OEM Size Brakes
- 280mm Over Size Brakes
- Semi-Metallic Brake Pads

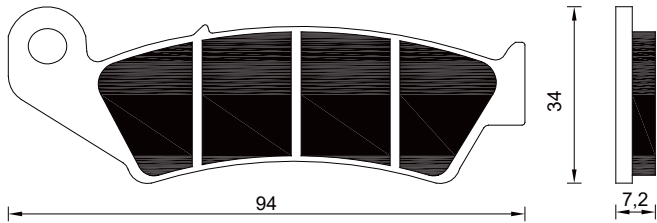
822220



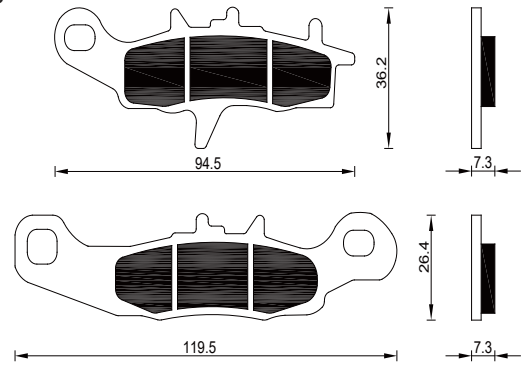
822850



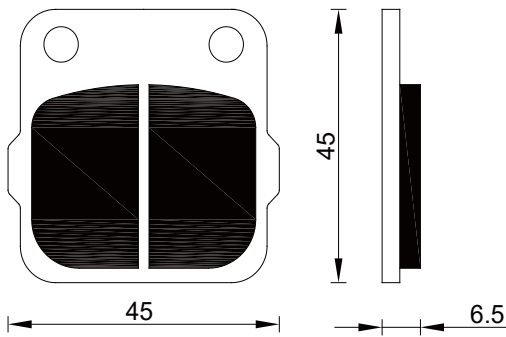
822230



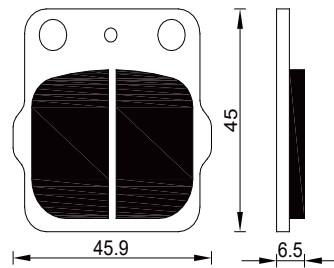
822260



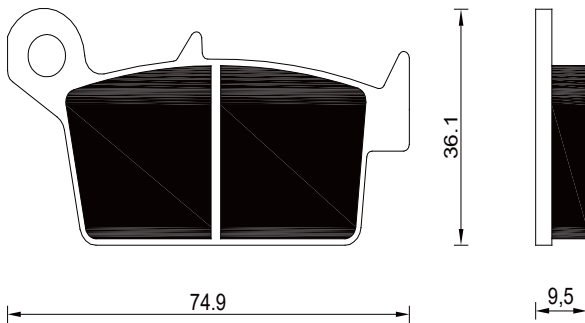
822800



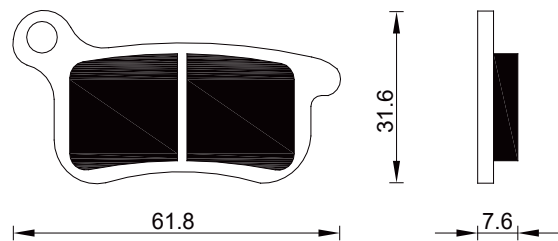
822070



822170

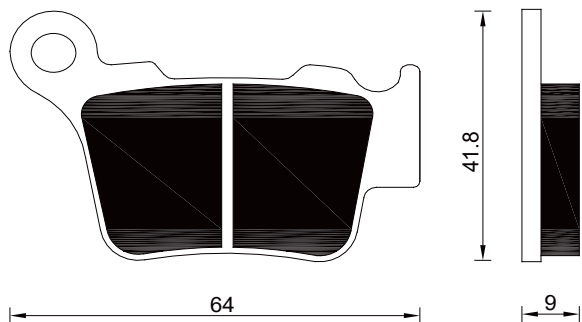


822290

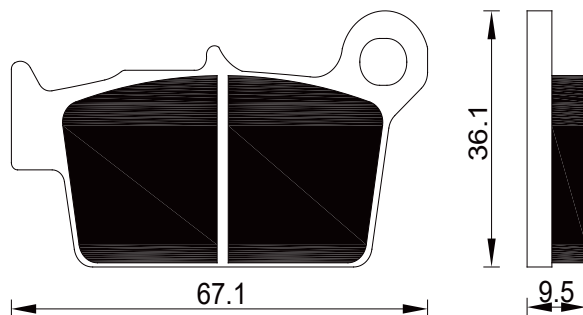


- Aluminum Rear Sprockets
- Hybrid Rear Sprockets
- OEM Size Brakes
- 280mm Over Size Brakes
- Semi-Metallic Brake Pads**

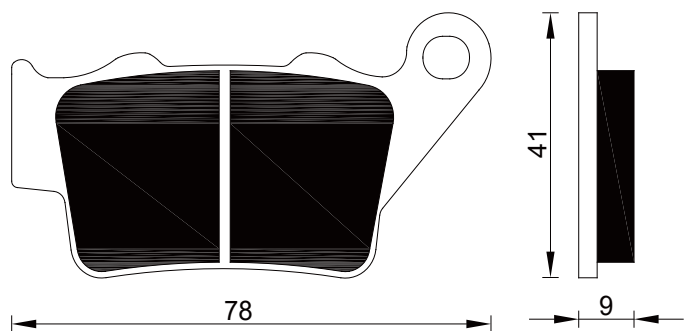
822320



822310



822240



822280

