

2024 version

DIRT BIKE

rear sprockets & brakes



FMF[®]
The Wheel of Champions

since 1998

CONTENTS

1-8	Aluminum Rear Sprockets
9-16	Hybrid Rear Sprockets
17-23	OEM Size Brakes
24-30	280mm Over Size Floating Brakes Kit
31-33	Semi-Metallic Brake Pads

MXCHAMP Wheels-A division of Road Dreams Industries, is dedicated in design, innovation, build and development of world lightest and strongest dirt bike wheels for motocross, supercross, enduro and supermoto as well as brakes and aluminum rear sprockets.

We have great experience to provide quality hard parts and accessories for. This allows our users to get their high-performance parts quicker and for less money.

We ride, so we know what it is like to want affordable modifications for your machine that really work and are reliable. This is what is committed to providing. No matter your are amature or professional rider, We build wheel for champions.



- Aluminum Rear Sprockets
- Hybrid Rear Sprockets
- OEM Size Brakes
- 280mm Over Size Brakes
- Semi-Metallic Brake Pads

FEATURES:

- MXCHAMP ExtraLite Aluminum Rear Sprockets are all manufactured in aluminum 7075 with T6 and surface have hard anodizing to improve the durability
- Hard anodizing gives a robust layer of extra hardness that is one of the keys to its outstanding durability.
- CNC machined to incredible precise tolerance , that allow perfect concentricity and accuracy of fitment.
- Aluminum sprockets have the CAD design to reduce unsprung weight to a minimum while retaining high strength in hard anodizing.



Color Options:



Blue



Green



Red



Gold



Lake Blue



Black



Orange





APPLICATIONS

MXCHAMP ExtraLite Series Aluminum Rear Sprocket

Model	Year	OEM Gearing			Tooth	SKU#	
		Front	Rear	Chain		Orange	Black
CR 125	83-07	13	51	520-114	48	701048	701148
CR 125R	83-07	13	52	520-116	49	701049	701149
					50	701050	701150
					51	701051	701151
					52	701052	701152
CRF 150F	03-09	13	48	520-112	48	701048	701148
	12-17	13	47	520-112	49	701049	701149
					50	701050	701150
					51	701051	701151
					52	701052	701152
CRF 230F	03-09	13	50	520-110	48	701048	701148
	12-17				49	701049	701149
	19				50	701050	701150
					51	701051	701151
					52	701052	701152
CR 250	02-07				48	701048	701148
CR 250R	84-07	13	49	520-114	49	701049	701149
CRF 250R	04-23	13	50	520-114	50	701050	701150
CRF 250RX	19				51	701051	701151
	22-23				52	701052	701152
CRF 250X	04-17	14	53	520-114			
XR 250R	96-04	13	48	520-106			
CRF 250F	19-22	13	50	520-114			
CRF 450R WE	19-22				48	701048	701148
CRF 450X	05-17	13	49	520-114	49	701049	701149
	19-22	13	51	520-114	50	701050	701150
CRF 450R	03-23	13	51	520-114	51	701051	701151
CRF 450RX	17-23	13	50	520-114	52	701052	701152
CRF 450L	19-22						
CR 500R	84-01	14	51	520-116	48	701048	701148
					49	701049	701149
					50	701050	701150
					51	701051	701151
					52	701052	701152
XR 650R	00-07	14	48	520-110	48	701048	701148
					49	701049	701149
					50	701050	701150
					51	701051	701151
					52	701052	701152

Aluminum Rear Sprockets

Hybrid Rear Sprockets

OEM Size Brakes

280mm Over Size Brakes

Semi-Metallic Brake Pads

- Aluminum Rear Sprockets
- Hybrid Rear Sprockets
- OEM Size Brakes
- 280mm Over Size Brakes
- Semi-Metallic Brake Pads



APPLICATIONS

MXCHAMP ExtraLite Series Aluminum Rear Sprocket

Model	Year	OEM Gearing			Tooth	SKU#	
		Front	Rear	Chain		Orange	Black
350 EXCF	12-15	14	45	520-118	48	702048	702148
	17-20	14	52	520-118	49	702049	702149
	24				50	702050	702150
350 SXF	11-23	14	50	520-118	51	702051	702151
350 XCF	12-23	14	50	520-118	52	702052	702152
350 XCFW	12-14	13	52	520-118			
	21						
380 EXC	98-02				48	702048	702148
380 MXC	98-02				49	702049	702149
380 SX	98-02				50	702050	702150
380 SXS	99				51	702051	702151
					52	702052	702152
400 XCW	07	14	50	520	48	702048	702148
	09-10				49	702049	702149
					50	702050	702150
					51	702051	702151
					52	702052	702152
450 SMR	12	14	48	520-118	48	702048	702148
	21				49	702049	702149
450 EXC	07	15	45	520	50	702050	702150
	11	14	52	520	51	702051	702151
450 EXCF	20	14	45	520	52	702052	702152
450 MXC	03-05	14	50	520			
450 SMR	04-06	14	45	520			
	08	14	48	520-118			
450 SX	06	14	52	520			
450 SX RACING	03-05						
450 SXF	07-22	13	48	520-118			
	24						
450 SXS	05						
450 SXS RACING	03-04						
450 XC	07	14	50	520			
450 XCF	08-09	14	51	520-118			
	13-22						
	24						
450 XCW	07	14	50	520			
	09						
450 XCW CE	12-15	13	52	520-118			
	10						
500 EXC	12-15	15	45	520-118	48	702048	702148
500 EXCF	17-18		45	520-118	49	702049	702149
	20				50	702050	702150
	24				51	702051	702151
	21				52	702052	702152
500 XCFW	21						
500 XCW	12-15	14	50	520			
505 SXF	07-08	14	48	520			
505 XCF	08-09	14	48	520			



APPLICATIONS

MXCHAMP ExtraLite Series Aluminum Rear Sprocket

Model	Year	OEM Gearing			Tooth	SKU#	
		Front	Rear	Chain		Orange	Black
350 EXCF	12-15	14	45	520-118	48	702048	702148
	17-20	14	52	520-118	49	702049	702149
	24				50	702050	702150
350 SXF	11-23	14	50	520-118	51	702051	702151
350 XCF	12-23	14	50	520-118	52	702052	702152
350 XCFW	12-14	13	52	520-118			
	21						
380 EXC	98-02				48	702048	702148
380 MXC	98-02				49	702049	702149
380 SX	98-02				50	702050	702150
380 SXS	99				51	702051	702151
					52	702052	702152
400 XCW	07	14	50	520	48	702048	702148
	09-10				49	702049	702149
					50	702050	702150
					51	702051	702151
					52	702052	702152
450 SMR	12	14	48	520-118	48	702048	702148
	21				49	702049	702149
450 EXC	07	15	45	520	50	702050	702150
	11	14	52	520	51	702051	702151
450 EXCF	20	14	45	520	52	702052	702152
450 MXC	03-05	14	50	520			
450 SMR	04-06	14	45	520			
	08	14	48	520-118			
450 SX	06	14	52	520			
450 SX RACING	03-05						
450 SXF	07-22	13	48	520-118			
	24						
450 SXS	05						
450 SXS RACING	03-04						
450 XC	07	14	50	520			
450 XCF	08-09	14	51	520-118			
	13-22						
	24						
450 XCW	07	14	50	520			
	09						
450 XCW CE	12-15	13	52	520-118			
	10						
500 EXC	12-15	15	45	520-118	48	702048	702148
500 EXCF	17-18		45	520-118	49	702049	702149
	20				50	702050	702150
	24				51	702051	702151
	21				52	702052	702152
500 XCFW	21						
500 XCW	12-15	14	50	520			
505 SXF	07-08	14	48	520			
505 XCF	08-09	14	48	520			

Aluminum
Rear Sprockets

Hybrid
Rear Sprockets

OEM Size
Brakes

280mm Over
Size Brakes

Semi-Metallic
Brake Pads

- Aluminum Rear Sprockets
- Hybrid Rear Sprockets
- OEM Size Brakes
- 280mm Over Size Brakes
- Semi-Metallic Brake Pads



APPLICATIONS

MXCHAMP ExtraLite Series Aluminum Rear Sprocket							
Model	Year	OEM Gearing			Tooth	SKU#	
		Front	Rear	Chain		Orange	Black
KX 125	96-97	12	50	520-114	48	703048	703148
	03-05	13	52	520-112	49	703049	703149
					50	703050	703150
					51	703051	703151
					52	703052	703152
KDX 200 KDX 220R	95-06	13	47	520-108	48	703048	703148
	97-05				49	703049	703149
					50	703050	703150
					51	703051	703151
					52	703052	703152
KDX 250	91-94				48	703048	703148
KX 250	05-07	13	51	520-114	49	703049	703149
	20				50	703050	703150
	22-24				51	703051	703151
KX 250X	21-24				52	703052	703152
KX 250XC	21						
KLX 250	18-20						
KLX 250S	06-07	14	42	520-106			
	09-14	14	42	520-106			
KLX 250SF	09-10	13	39	520-106			
KLX 250R	94-96						
KX 250F	11-21	13	50	520-114			
KLX 300	97-07	14	50	520-110	48	703048	703148
					49	703049	703149
					50	703050	703150
					51	703051	703151
					52	703052	703152
KX 450	20	13	50	520-114	48	703048	703148
	22-23				49	703049	703149
					50	703050	703150
					51	703051	703151
					52	703052	703152
KX 450F	06-21	13	50	520-114	48	703048	703148
KX 450SR	22-23				49	703049	703149
KX 450X	21-23				50	703050	703150
KLX 450R	18-19				51	703051	703151
	08-09	13	50	520-114	52	703052	703152



APPLICATIONS

MXCHAMP ExtraLite Series Aluminum Rear Sprocket

Model	Year	OEM Gearing			Tooth	SKU#	
		Front	Rear	Chain		Orange	Black
YZ 125	99-23	13	48	520-112	48	704048	704148
YZ 125X	20-23	13	50	520-112	49	704049	704149
					50	704050	704150
					51	704051	704151
					52	704052	704152
TT-R 230	05-17	13	49	520-106	48	704048	704148
					49	704049	704149
					50	704050	704150
					51	704051	704151
					52	704052	704152
YZ 250	99-23	14	50	520-114	48	704048	704148
YZ 250FX	15-23	13	51	520-114	49	704049	704149
YZ 250F	01-24	13	50	520-114	50	704050	704150
WR 250F	01-18	13	50	520-112	51	704051	704151
WR 250R	08-20	13	43	520-108	52	704052	704152
WR 250X	08-11	13	42	520-108			
WR 250FX	19						
WR 250F	05-22	13	50	520-112			
YZ 250FX	15-22	13	51	520-114			
YZ 250X	16-23	14	50	520-114			
WR 400F	99-20	14	49	520-114	48	704048	704148
YZ 400F	99	14	49	520-114	49	704049	704149
					50	704050	704150
					51	704051	704151
					52	704052	704152
YZ 426F	00-02	14	49	520-114	48	704048	704148
WR 426F	01-02	14	50	520-114	49	704049	704149
					50	704050	704150
					51	704051	704151
					52	704052	704152
YZ 450F	03-23	13	49	520-114	48	704048	704148
WR 450F	03-22	13	50	520-114	49	704049	704149
YZ 450FX	16-19	13	50	520-114	50	704050	704150
	22-23				51	704051	704151
					52	704052	704152

- Aluminum Rear Sprockets
- Hybrid Rear Sprockets
- OEM Size Brakes
- 280mm Over Size Brakes
- Semi-Metallic Brake Pads

- Aluminum Rear Sprockets
- Hybrid Rear Sprockets
- OEM Size Brakes
- 280mm Over Size Brakes
- Semi-Metallic Brake Pads



APPLICATIONS

MXCHAMP ExtraLite Series Aluminum Rear Sprocket							
Model	Year	OEM Gearing			Tooth	SKU#	
		Front	Rear	Chain		Orange	Black
RM 125	85-08	13	49	520-116	48	705048	705148
					49	705049	705149
					50	705050	705150
					51	705051	705151
					52	705052	705152
RMZ 250	07-23	13	49	520-116	48	705048	705148
					49	705049	705149
					50	705050	705150
					51	705051	705151
					52	705052	705152
RM 250	86-08	13	49	520-116	48	705048	705148
					49	705049	705149
					50	705050	705150
					51	705051	705151
					52	705052	705152
RMZ 450	05-23	13	50	520-114	50	705050	705150
					51	705051	705151
					52	705052	705152



APPLICATIONS

MXCHAMP ExtraLite Series Aluminum Rear Sprocket							
Model	Year	OEM Gearing			Tooth	SKU#	
		Front	Rear	Chain		Orange	Black
TC 125	14-21	13	50	520	48	706048	706148
TE 125	15-16	14	50	520-118	49	706049	706149
TX 125	17-18				50	706050	706150
TE 150i	20-22	13	50	520-118	51	706051	706151
TE 150	17-19	13	50	520-118	52	706052	706152
TC 250	17-22	13	50	520	48	706048	706148
FE 250	17-19	14	49	520-118	49	706049	706149
FC 250	15-24	13	50	520-	50	706050	706150
TE 250	14-18	13	50	520-118	51	706051	706151
TE 250i	18-21				52	706052	706152
TE 300	14-18	13	50	520-118	48	706048	706148
TE 300i	18-21				49	706049	706149
TX 300	17-19				50	706050	706150
TX 300i	20				51	706051	706151
					52	706052	706152
FC 350	14-23	13	50	520-118	48	706048	706148
FE 350	17-21	14	52	520-118	49	706049	706149
					50	706050	706150
					51	706051	706151
FE 350S	15-16	13	48	520-118	51	706051	706151
					52	706052	706152
FX 350	17-21						
FE 450	17-19	14	45	520-118	48	706048	706148
					49	706049	706149
FC 450	16-23	13	50	520-	50	706050	706150
FS 450	17-18				51	706051	706151
FX 450	17-21				52	706052	706152
FE 501	14				48	706048	706148
					49	706049	706149
					50	706050	706150
FE 501S	17-21	13	45	520-118	49	706049	706149
					50	706050	706150
					51	706051	706151
FE 501S	15-16	13	50	520-118	51	706051	706151
					52	706052	706152



APPLICATIONS

MXCHAMP ExtraLite Series Aluminum Rear Sprocket							
Model	Year	OEM Gearing			Tooth	SKU#	
		Front	Rear	Chain		Orange	Black
MC 125	21-22 24	13	52	520-118	48	707048	707148
					49	707049	707149
					50	707050	707150
					51	707051	707151
					52	707052	707152
EC 250	22-23	13	52	520-118	48	707048	707148
					49	707049	707149
					50	707050	707150
					51	707051	707151
					52	707052	707152
EC 250F	24	13	52	520-118	48	707048	707148
					49	707049	707149
					50	707050	707150
					51	707051	707151
					52	707052	707152
MC 250F	21-22 24	13	52	520-118	48	707048	707148
					49	707049	707149
					50	707050	707150
					51	707051	707151
					52	707052	707152
EX 250	23-24	13	52	520-118	48	707048	707148
					49	707049	707149
					50	707050	707150
					51	707051	707151
					52	707052	707152
EX 250F	21-23	13	52	520-118	48	707048	707148
					49	707049	707149
					50	707050	707150
					51	707051	707151
					52	707052	707152
EC 300	21-24	13	52	520-118	48	707048	707148
					49	707049	707149
					50	707050	707150
					51	707051	707151
					52	707052	707152
EX 300	21-24	13	52	520-118	48	707048	707148
					49	707049	707149
					50	707050	707150
					51	707051	707151
					52	707052	707152
EX 300F	22	13	52	520-118	48	707048	707148
					49	707049	707149
					50	707050	707150
					51	707051	707151
					52	707052	707152
EX 350F	21 23-24	13	52	520-118	48	707048	707148
					49	707049	707149
					50	707050	707150
					51	707051	707151
					52	707052	707152
MC 350F	20-22	13	52	520-118	48	707048	707148
					49	707049	707149
					50	707050	707150
					51	707051	707151
					52	707052	707152
MC 450F	21	13	52	520-118	48	707048	707148
					49	707049	707149
					50	707050	707150
					51	707051	707151
					52	707052	707152
EX 450F	21-24	13	52	520-118	48	707048	707148
					49	707049	707149
					50	707050	707150
					51	707051	707151
					52	707052	707152

- Aluminum Rear Sprockets
- Hybrid Rear Sprockets
- OEM Size Brakes
- 280mm Over Size Brakes
- Semi-Metallic Brake Pads

- Aluminum Rear Sprockets
- Hybrid Rear Sprockets
- OEM Size Brakes
- 280mm Over Size Brakes
- Semi-Metallic Brake Pads

The MXCHAMP sprockets' plant is today the most advanced plant in China. It is fully equipped with high accuracy machinery, including the latest CNC computer design(-CAD) and computer controlled(CAM) metal cutting equipment(laser cutter).

The essence of a high quality sprocket is in the high precision of manufacturing and the inherent quality of the material. Through accurate machining and by using only the best grade of C49(JIS)high carbon steel and heat-treatment for teeth outer.

All MXCHAMP Hybrid Rear Sprocket meet or exceed the highest possible quality standards set for offroad motorcycles, and ensures maximum durability performance for both drive chain and sprocket.



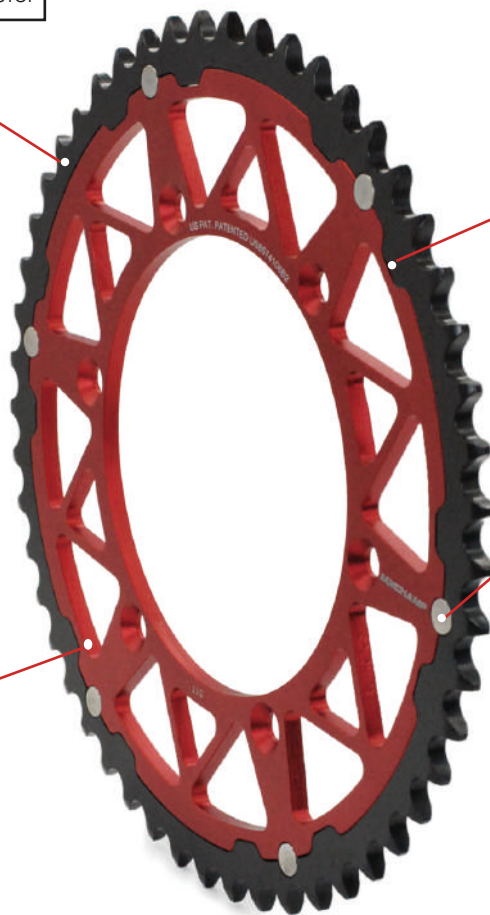
U.S. Pat. Patented (US 8574108B2)

Heat Treatment and High Anti corrosion
Electrophoretic Black Paint Teeth Outer

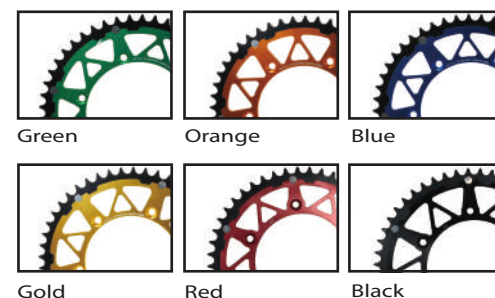
Safety Locks Design

Stainless Steel(T304)
Rivets Joint and Flat
Face Design

Aluminum(7075-T6)
Inner Carrier



Inner Carrier Color Options



FEATURES:

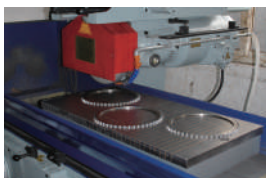
- This MXCHAMP Hybrid sprocket combines a specially enhanced 7075-T6 aluminum inner carrier and high anti-corrosion electrophoretic black paint steel teeth.
- By combining these two materials we have created a sprocket that is lighter than steel but more durable than the traditional all aluminum (7075-T6)sprocket.
- The unique flat face design keeps weight to a minimum and prevents fouling on the chain guide.
- Weights up to 70% lighter than standard steel sprockets.
- The steel teeth are exclusive heat treatment for added strength and wear resistance, it offers greater life for your whole drive system



Heat Treatment Equipment



CNC Milling Machines



Grinding Machine



Higher Precision Gearing Machine



APPLICATIONS

MXCHAMP ExtraLite Series Hybrid Rear Sprockets

Model	Year	OEM Gearing			Tooth	SKU#		Weight	
		Front	Rear	Chain		Red	Black	kgs	lbs.
CR 125	83-07	13	51	520-114	48	711048	711148	0.6	1.31
CR 125R	83-07	13	52	520-116	49	711049	711149	0.615	1.36
					50	711050	711150	0.64	1.41
					51	711051	711151	0.66	1.46
					52	711052	711152	0.675	1.49
CRF 150F	03-09	13	48	520-112	48	711048	711148	0.6	1.31
					49	711049	711149	0.615	1.36
					50	711050	711150	0.64	1.41
					51	711051	711151	0.66	1.46
					52	711052	711152	0.675	1.49
CRF 230F	03-09	13	50	520-110	48	711048	711148	0.6	1.31
					49	711049	711149	0.615	1.36
					50	711050	711150	0.64	1.41
					51	711051	711151	0.66	1.46
					52	711052	711152	0.675	1.49
CR 250	02-07	13	49	520-114	48	711048	711148	0.6	1.31
					49	711049	711149	0.615	1.36
					50	711050	711150	0.64	1.41
					51	711051	711151	0.66	1.46
					52	711052	711152	0.675	1.49
CR 250R	84-07	13	50	520-114	49	711049	711149	0.615	1.36
CRF 250R	04-23				50	711050	711150	0.64	1.41
CRF 250RX	19				51	711051	711151	0.66	1.46
					52	711052	711152	0.675	1.49
CRF 250X	04-17	14	53	520-114					
XR 250R	96-04	13	48	520-106					
CRF 250F	19-22	13	50	520-114					
CRF 450R WE	19-22	13	49	520-114	48	711048	711148	0.6	1.31
CRF 450X	05-17	13	51	520-114	49	711049	711149	0.615	1.36
					50	711050	711150	0.64	1.41
					51	711051	711151	0.66	1.46
CRF 450R	03-23	13	50	520-114	51	711051	711151	0.66	1.46
CRF 450RX	17-23				52	711052	711152	0.675	1.49
CRF 450L	19-22								
CR 500R	84-01	14	51	520-116	48	711048	711148	0.6	1.31
					49	711049	711149	0.615	1.36
					50	711050	711150	0.64	1.41
					51	711051	711151	0.66	1.46
					52	711052	711152	0.675	1.49
XR 650R	00-07	14	48	520-110	48	711048	711148	0.6	1.31
					49	711049	711149	0.615	1.36
					50	711050	711150	0.64	1.41
					51	711051	711151	0.66	1.46
					52	711052	711152	0.675	1.49

- Aluminum Rear Sprockets
- Hybrid Rear Sprockets
- OEM Size Brakes
- 280mm Over Size Brakes
- Semi-Metallic Brake Pads



APPLICATIONS

- Aluminum Rear Sprockets
- Hybrid Rear Sprockets
- OEM Size Brakes
- 280mm Over Size Brakes
- Semi-Metallic Brake Pads

MXCHAMP ExtraLite Series Hybrid Rear Sprockets									
Model	Year	OEM Gearing			Tooth	SKU#		Weight	
		Front	Rear	Chain		Orange	Black	kgs	lbs.
125 EXC	98-05	13	50	520-118	48	712048	712148	0.61	1.34
125 MXC	98-03				49	712049	712149	0.615	1.36
125 SX	98-22				50	712050	712150	0.62	1.37
	24				51	712051	712151	0.655	1.44
125 XC	21-24				52	712052	712152	0.67	1.48
125 SXS	99-05								
150 SX	09-22	14	50	520	48	712048	712148	0.61	1.34
150 XC	10-14	13	50	520	49	712049	712149	0.615	1.36
150 XCW	17-18	13	50	520-118	50	712050	712150	0.62	1.37
	24				51	712051	712151	0.655	1.44
150 XCW TPI	20	13	50	520-118	52	712052	712152	0.67	1.48
200 EXC	98-05	14	48	520-118	48	712048	712148	0.61	1.34
200 MXC	98-03	14	48	520-118	49	712049	712149	0.615	1.36
200 SM	05				50	712050	712150	0.62	1.37
200 SX	98-04	14	45	520	51	712051	712151	0.655	1.44
200 XC	06-09	14	48	520-118	52	712052	712152	0.67	1.48
200 XCW	06-15	14	48	520					
250 XCF	11				48	712048	712148	0.61	1.34
	24				49	712049	712149	0.615	1.36
250 EXC	98-05	13	50	520	50	712050	712150	0.62	1.37
250 EXCF	17-19	14	49	520-116	51	712051	712151	0.655	1.44
250 MXC	98-03	14	52	520-116	52	712052	712152	0.67	1.48
250 SX	98-22	14	50	520-118					
250 SXF	05-23	13	48	520					
250 SXS	99-01								
250 XC	06-19	14	48	520-118					
250 XC TPI	20-22	14	48	520-118					
250 XCF	07-23	13	48	520					
250 XCFW	07-09	13	52	520-118					
	12								
	14-15								
250 XCFW CE	10								
250 XCW	06-18	14	50	520-118					
	24								
300 EXC	98-05	13	50	520	48	712048	712148	0.61	1.34
300 MXC	98-05	14	52	520-116	49	712049	712149	0.615	1.36
300 SX	98-02				50	712050	712150	0.62	1.37
300 XC	06-14				51	712051	712151	0.655	1.44
	17-18				52	712052	712152	0.67	1.48
	23-24								
300 XC TPI	20-22								
300 XCW	06-15	14	50	520-118					
	17-18	14	50	520-118					
	24								
300 XCW TPI	19-22	14	50	520-118					



APPLICATIONS

MXCHAMP ExtraLite Series Hybrid Rear Sprockets

Model	Year	OEM Gearing			Tooth	SKU#		Weight				
		Front	Rear	Chain		Orange	Black	kgs	lbs.			
350 EXCF	12-15	14	45	520-118	48	712048	712148	0.61	1.34			
	17-20	14	52	520-118	49	712049	712149	0.615	1.36			
	24				50	712050	712150	0.62	1.37			
350 SXF	11-23	14	50	520-118	51	712051	712151	0.655	1.44			
350 XCF	12-23	14	50	520-118	52	712052	712152	0.67	1.48			
350 XCFW	12-14	13	52	520-118								
	21											
380 EXC	98-02				48	712048	712148	0.61	1.34			
380 MXC	98-02				49	712049	712149	0.615	1.36			
380 SX	98-02				50	712050	712150	0.62	1.37			
380 SXS	99				51	712051	712151	0.655	1.44			
					52	712052	712152	0.67	1.48			
400 XCW	07-10	14	50	520	48	712048	712148	0.61	1.34			
					49	712049	712149	0.615	1.36			
					50	712050	712150	0.62	1.37			
					51	712051	712151	0.655	1.44			
450 SMR	12-21	14	48	520-118	48	712048	712148	0.61	1.34			
					49	712049	712149	0.615	1.36			
					50	712050	712150	0.62	1.37			
					51	712051	712151	0.655	1.44			
450 EXC	07-11	15	45	520	50	712050	712150	0.62	1.37			
					51	712051	712151	0.655	1.44			
450 EXCF	20	14	45	520	52	712052	712152	0.67	1.48			
450 MXC	03-05	14	50	520								
450 SMR	04-06	14	45	520								
450 SX	06	14	48	520-118								
450 SX RACING	03-05											
450 SXF	07-22	13	48	520-118								
450 SXS	05											
450 SXS RACING	03-04											
450 XC	07	14	50	520								
450 XCF	08-09	14	51	520-118								
450 XCW	07-09	14	50	520								
450 XCW CE	12-15	13	52	520-118								
500 EXC	12-15	15	45	520-118	48	712048	712148	0.61	1.34			
500 EXCF	17-18		45	520-118	49	712049	712149	0.615	1.36			
					50	712050	712150	0.62	1.37			
					51	712051	712151	0.655	1.44			
					52	712052	712152	0.67	1.48			
500 XCFW	21											
500 XCW	12-15	14	50	520								
505 SXF	07-08	14	48	520								
505 XCF	08-09	14	48	520								

- Aluminum Rear Sprockets
- Hybrid Rear Sprockets
- OEM Size Brakes
- 280mm Over Size Brakes
- Semi-Metallic Brake Pads



APPLICATIONS

- Aluminum Rear Sprockets
- Hybrid Rear Sprockets
- OEM Size Brakes
- 280mm Over Size Brakes
- Semi-Metallic Brake Pads

MXCHAMP ExtraLite Series Hybrid Rear Sprockets

Model	Year	OEM Gearing			Tooth	SKU#		Weight	
		Front	Rear	Chain		Green	Black	kgs	lbs.
KX 125	96-97	12	50	520-114	48	713048	713148	0.595	1.31
	03-05	13	52	520-112	49	713049	713149	0.6	1.32
					50	713050	713150	0.62	1.37
					51	713051	713151	0.645	1.42
					52	713052	713152	0.665	1.47
KDX 200	95-06	13	47	520-108	48	713048	713148	0.595	1.31
KDX 220R	97-05				49	713049	713149	0.6	1.32
					50	713050	713150	0.62	1.37
					51	713051	713151	0.645	1.42
					52	713052	713152	0.665	1.47
KDX 250	91-94				48	713048	713148	0.595	1.31
KX 250	05-07	13	51	520-114	49	713049	713149	0.6	1.32
					50	713050	713150	0.62	1.37
					51	713051	713151	0.645	1.42
KX 250X	21-24				52	713052	713152	0.665	1.47
KX 250XC	21								
KLX 250	18-20								
KLX 250S	06-07	14	42	520-106					
	09-14	14	42	520-106					
KLX 250SF	09-10	13	39	520-106					
KLX 250R	94-96								
KX 250F	11-21	13	50	520-114					
KLX 300	97-07	14	50	520-110	48	713048	713148	0.595	1.31
					49	713049	713149	0.6	1.32
					50	713050	713150	0.62	1.37
					51	713051	713151	0.645	1.42
					52	713052	713152	0.665	1.47
KX 450	20	13	50	520-114	48	713048	713148	0.595	1.31
	22-23				49	713049	713149	0.6	1.32
					50	713050	713150	0.62	1.37
					51	713051	713151	0.645	1.42
					52	713052	713152	0.665	1.47
KX 450F	06-21	13	50	520-114					
KX 450SR	22-23								
KX 450X	21-23								
KLX 450R	18-19								
	08-09	13	50	520-114					



APPLICATIONS

MXCHAMP ExtraLite Series Hybrid Rear Sprockets

Model	Year	OEM Gearing			Tooth	SKU#		Weight	
		Front	Rear	Chain		Blue	Black	kgs	lbs.
YZ 125	99-23	13	48	520-112	48	714048	714148	0.605	1.33
YZ 125X	20-23	13	50	520-112	49	714049	714149	0.61	1.34
					50	714050	714150	0.62	1.37
					51	714051	714151	0.655	1.44
					52	714052	714152	0.665	1.47
TT-R 230	05-17	13	49	520-106	48	714048	714148	0.605	1.33
					49	714049	714149	0.61	1.34
					50	714050	714150	0.62	1.37
					51	714051	714151	0.655	1.44
					52	714052	714152	0.665	1.47
YZ 250	99-23	14	50	520-114	48	714048	714148	0.605	1.33
YZ 250FX	15-23	13	51	520-114	49	714049	714149	0.61	1.34
YZ 250F	01-24	13	50	520-114	50	714050	714150	0.62	1.37
WR 250F	01-18	13	50	520-112	51	714051	714151	0.655	1.44
WR 250R	08-20	13	43	520-108	52	714052	714152	0.665	1.47
WR 250X	08-11	13	42	520-108					
WR 250FX	19								
WR 250F	05-22	13	50	520-112					
YZ 250FX	15-22	13	51	520-114					
YZ 250X	16-23	14	50	520-114					
WR 400F	99-20	14	49	520-114	48	714048	714148	0.605	1.33
YZ 400F	99	14	49	520-114	49	714049	714149	0.61	1.34
					50	714050	714150	0.62	1.37
					51	714051	714151	0.655	1.44
					52	714052	714152	0.665	1.47
YZ 426F	00-02	14	49	520-114	48	714048	714148	0.605	1.33
WR 426F	01-02	14	50	520-114	49	714049	714149	0.61	1.34
					50	714050	714150	0.62	1.37
					51	714051	714151	0.655	1.44
					52	714052	714152	0.665	1.47
YZ 450F	03-23	13	49	520-114	48	714048	714148	0.605	1.33
WR 450F	03-22	13	50	520-114	49	714049	714149	0.61	1.34
YZ 450FX	16-19	13	50	520-114	50	714050	714150	0.62	1.37
	22-23				51	714051	714151	0.655	1.44
					52	714052	714152	0.665	1.47

- Aluminum Rear Sprockets
- Hybrid Rear Sprockets
- OEM Size Brakes
- 280mm Over Size Brakes
- Semi-Metallic Brake Pads



APPLICATIONS

- Aluminum Rear Sprockets
- Hybrid Rear Sprockets
- OEM Size Brakes
- 280mm Over Size Brakes
- Semi-Metallic Brake Pads

MXCHAMP ExtraLite Series Hybrid Rear Sprockets									
Model	Year	OEM Gearing			Tooth	SKU#		Weight	
		Front	Rear	Chain		Gold	Black	kgs	lbs.
RM 125	85-08	13	49	520-116	48	715048	715148	0.61	1.34
					49	715049	715149	0.615	1.36
					50	715050	715150	0.62	1.37
					51	715051	715151	0.66	1.46
					52	715052	715152	0.665	1.47
RMZ 250	07-23	13	49	520-116	48	715048	715148	0.61	1.34
					49	715049	715149	0.615	1.36
					50	715050	715150	0.62	1.37
					51	715051	715151	0.66	1.46
					52	715052	715152	0.665	1.47
RM 250	86-08	13	49	520-116					
RMZ 450	05-23	13	50	520-114	48	715048	715148	0.61	1.34
					49	715049	715149	0.615	1.36
					50	715050	715150	0.62	1.37
					51	715051	715151	0.66	1.46
					52	715052	715152	0.665	1.47



APPLICATIONS

MXCHAMP ExtraLite Series Hybrid Rear Sprockets									
Model	Year	OEM Gearing			Tooth	SKU#		Weight	
		Front	Rear	Chain		Lake Blue	Black	kgs	lbs.
TC 125	14-21	13	50	520	48	716048	716148	0.61	1.34
TE 125	15-16	14	50	520-118	49	716049	716149	0.615	1.36
TX 125	17-18				50	716050	716150	0.62	1.37
TE 150i	20-22	13	50	520-118	51	716051	716151	0.655	1.44
TE 150	17-19	13	50	520-118	52	716052	716152	0.67	1.48
TC 250	17-22	13	50	520	48	716048	716148	0.61	1.34
FE 250	17-19	14	49	520-118	49	716049	716149	0.615	1.36
FC 250	15-24	13	50	520-	50	716050	716150	0.62	1.37
TE 250	14-18	13	50	520-118	51	716051	716151	0.655	1.44
TE 250i	18-21				52	716052	716152	0.67	1.48
TE 300	14-18	13	50	520-118	48	716048	716148	0.61	1.34
TE 300i	18-21				49	716049	716149	0.615	1.36
TX 300	17-19				50	716050	716150	0.62	1.37
TX 300i	20				51	716051	716151	0.655	1.44
					52	716052	716152	0.67	1.48
FC 350	14-23	13	50	520-118	48	716048	716148	0.61	1.34
FE 350	17-21	14	52	520-118	49	716049	716149	0.615	1.36
					50	716050	716150	0.62	1.37
FE 350S	15-16	13	48	520-118	51	716051	716151	0.655	1.44
					52	716052	716152	0.67	1.48
FX 350	17-21								
FE 450	17-19	14	45	520-118	48	716048	716148	0.61	1.34
					49	716049	716149	0.615	1.36
	24								
FC 450	16-23	13	50	520-	50	716050	716150	0.62	1.37
FS 450	17-18				51	716051	716151	0.655	1.44
FX 450	17-21				52	716052	716152	0.67	1.48
FE 501	17-21	13	45	520-118	48	716048	716148	0.61	1.34
					49	716049	716149	0.615	1.36
					50	716050	716150	0.62	1.37
	23								
FE 501S	15-16	13	50	520-118	51	716051	716151	0.655	1.44
					52	716052	716152	0.67	1.48



APPLICATIONS

MXCHAMP ExtraLite Series Hybrid Rear Sprockets

Model	Year	OEM Gearing			Tooth	SKU#		Weight	
		Front	Rear	Chain		Red	Black	kgs	lbs.
MC 125	21-22	13	52	520-118	48	717048	717148	0.61	1.34
					49	717049	717149	0.615	1.36
	50				717050	717150	0.62	1.37	
	51				717051	717151	0.655	1.44	
	52				717052	717152	0.67	1.48	
EC 250	22-23	13	52	520-118	48	717048	717148	0.61	1.34
					49	717049	717149	0.615	1.36
	50				717050	717150	0.62	1.37	
	51				717051	717151	0.655	1.44	
	52				717052	717152	0.67	1.48	
EC 250F	24	13	52	520-118	48	717048	717148	0.61	1.34
					49	717049	717149	0.615	1.36
	50				717050	717150	0.62	1.37	
	51				717051	717151	0.655	1.44	
	52				717052	717152	0.67	1.48	
MC 250F	21-22	13	52	520-118	48	717048	717148	0.61	1.34
					49	717049	717149	0.615	1.36
	50				717050	717150	0.62	1.37	
	51				717051	717151	0.655	1.44	
	52				717052	717152	0.67	1.48	
EX 250	23-24	13	52	520-118	48	717048	717148	0.61	1.34
					49	717049	717149	0.615	1.36
	50				717050	717150	0.62	1.37	
	51				717051	717151	0.655	1.44	
	52				717052	717152	0.67	1.48	
EX 250F	21-23	13	52	520-118	48	717048	717148	0.61	1.34
					49	717049	717149	0.615	1.36
	50				717050	717150	0.62	1.37	
	51				717051	717151	0.655	1.44	
	52				717052	717152	0.67	1.48	
EC 300	21-24	13	52	520-118	48	717048	717148	0.61	1.34
					49	717049	717149	0.615	1.36
	50				717050	717150	0.62	1.37	
	51				717051	717151	0.655	1.44	
	52				717052	717152	0.67	1.48	
EX 300	21-24	13	52	520-118	48	717048	717148	0.61	1.34
					49	717049	717149	0.615	1.36
	50				717050	717150	0.62	1.37	
	51				717051	717151	0.655	1.44	
	52				717052	717152	0.67	1.48	
EX 300F	22	13	52	520-118	48	717048	717148	0.61	1.34
					49	717049	717149	0.615	1.36
	50				717050	717150	0.62	1.37	
	51				717051	717151	0.655	1.44	
	52				717052	717152	0.67	1.48	
EX 350F	21	13	52	520-118	48	717048	717148	0.61	1.34
					49	717049	717149	0.615	1.36
	50				717050	717150	0.62	1.37	
	51				717051	717151	0.655	1.44	
	52				717052	717152	0.67	1.48	
MC 350F	20-22	13	52	520-118	48	717048	717148	0.61	1.34
					49	717049	717149	0.615	1.36
	50				717050	717150	0.62	1.37	
	51				717051	717151	0.655	1.44	
	52				717052	717152	0.67	1.48	
MC 450F	21	13	52	520-118	48	717048	717148	0.61	1.34
					49	717049	717149	0.615	1.36
	50				717050	717150	0.62	1.37	
	51				717051	717151	0.655	1.44	
	52				717052	717152	0.67	1.48	
EX 450F	21-24	13	52	520-118	48	717048	717148	0.61	1.34
					49	717049	717149	0.615	1.36
	50				717050	717150	0.62	1.37	
	51				717051	717151	0.655	1.44	
	52				717052	717152	0.67	1.48	

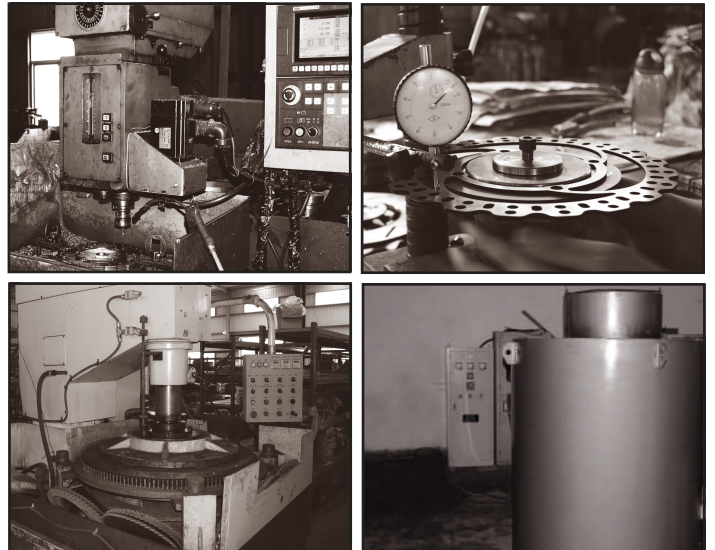
- Aluminum Rear Sprockets
- Hybrid Rear Sprockets
- OEM Size Brakes
- 280mm Over Size Brakes
- Semi-Metallic Brake Pads

- Aluminum Rear Sprockets
- Hybrid Rear Sprockets
- OEM Size Brakes**
- 280mm Over Size Brakes
- Semi-Metallic Brake Pads



FEATURES:

- OEM size brake rotor made of the highest-quality stainless steel(T420) to fit all OEM hubs.
- All OEM size rotor designed by CAD-CAM and tested with a stress analysis program, minimizes heat transfer, equalizes dissipation and evens out pad wear as well as rider tested prior to being sold on the market.
- Heat-treated to each specific application (to assure warp resistance)
- Double disc – parallel grinding to assure perfect parallel flatness
- Provide maximum stopping power while remaining perfectly flat





APPLICATIONS

MXCHAMP ExtraLite Series OEM Size Brake Rotor

Model	Year	SKU#	
		OEM Front Rotor	OEM Rear Rotor
CR 125R	95-07	801031	801007
CR 250R	95-07	801031	801007
CRF 250X	06-13	801031	801007
CRF 250R	15-23	801032	801007
	04-14	801031	801007
CRF 250RX	19-23	801032	801007
CRF 450RX	17-23	801032	801007
CRF 450R	15-23	801032	801007
	02-14	801031	801007
CRF 450R WE	20-22	801032	801007
CRF 450X	05-13	801031	801007
CR 500R	95-01	801031	801007

Aluminum
Rear Sprockets

Hybrid
Rear Sprockets

OEM Size
Brakes

280mm Over
Size Brakes

Semi-Metallic
Brake Pads



APPLICATIONS

MXCHAMP ExtraLite Series OEM Size Brake Rotor

Model	Year	SKU#	
		OEM Front Rotor	OEM Rear Rotor
KX 250	22-23	823037	803016
	20	823037	803016
	06-08	803037	803016
KX 250F	20-21	823037	803016
	04-14	803037	803016
	15-22	803038	803016
KLX 450R	08-09	803037	803016
KX 450F	06-14	803037	803016
	15-22	803038	803016
KX 450	20	823037	803016
	22-23	823037	803016
KX 450SR	22-23	823037	803016
KX 500	86-04	803037	803016



APPLICATIONS

MXCHAMP ExtraLite Series OEM Size Brake Rotor

Model	Year	SKU#	
		OEM Front Rotor	OEM Rear Rotor
RM-Z 250	07-18	805036	805053
	18-23	805037	805053
RM-Z 450	08-17	805036	805053
	18-23	805037	805053



APPLICATIONS

- Aluminum Rear Sprockets
- Hybrid Rear Sprockets
- OEM Size Brakes
- 280mm Over Size Brakes
- Semi-Metallic Brake Pads

MXCHAMP ExtraLite Series OEM Size Brake Rotor			
Model	Year	SKU#	
		OEM Front Rotor	OEM Rear Rotor
125 SX	16-24	802033	802018
125 XC-W	98-19	802033	802018
125 XC	98-18	802033	802018
	21-24	802033	802018
125 EXC	98-19	802033	802018
125 SXS	98-15	802033	802018
144 SX	98-18	802033	802018
144 EXC	98-18	802033	802018
144 XC	98-17	802033	802018
144 XC-W	98-17	802033	802018
150 SX	16-22	802033	802018
150 XC-W	17-19	802033	802018
	23-24	802033	802018
150 EXC	98-18	802033	802018
	20	802033	802018
150 XC	98-18	802033	802018
200 XC-W	98-18	802033	802018
200 XC	98-18	802033	802018
200 SX	98-18	802033	802018
200 MXC	98-18	802033	802018
200 EXC	98-16	802033	802018
250 SX	16-22	802033	802018
250 XC-W	23	802033	802018
	17-18	802033	802018
250 XC	98-20	802033	802018
250 EXC	98-19	802033	802018
250 MXC	98-17	802033	802018
250 EXC-G RACING	98-15	802033	802018
250 SX-F	06-23	802033	802018
250 XC-F	16-23	802033	802018
250 EXC-F 6 DAYS	09-19	802033	802018
250 SXS-F	06-16	802033	802018
300 XC	17-19	802033	802018
	23-24	802033	802018
300 XC-W	17-18	802033	802018
	22-23	802033	802018
300 EXC	97-19	802033	802018
300 SX	97-18	802033	802018
	24	802033	802018
300 EXC 6 DAYS	09	802033	802018
350 EXC-F 6 DAYS	12-19	802033	802018
350 SX-F	16-23	802033	802018
350 EXC	11-20	802033	802018
350 XC	11-20	802033	802018
350 SX	11-19	802033	802018
350 XC-F	16-23	802033	802018
350 XCF-W	11-15	802033	802018
	21	802033	802018
400 SX	00-10	802033	802018
400 EXC-G	00-10	802033	802018
400 XC-W	00-10	802033	802018
400 EXC	00-10	802033	802018



APPLICATIONS

MXCHAMP ExtraLite Series OEM Size Brake Rotor

Model	Year	SKU#	
		OEM Front Rotor	OEM Rear Rotor
450 EXC	03-22	802033	802018
450 EXCF	20	802033	802018
450 XC-F	16-24	802033	802018
450 SX-F	03-24	802033	802018
450 SXC	03-20	802033	802018
450 XC-W	03-19	802033	802018
450 SX	03-19	802033	802018
450 XCR-W	03-17	802033	802018
450 XC-G	03-15	802033	802018
500 XC-W	12-16	802033	802018
500 EXC-W	12-15	802033	802018
500 EXC 6 DAYS	11-16	802033	802018
500 EXC-F	17-20	802033	802018
	23	802033	802018
500 XCF-W	08-22	802033	802018
500 EXC	08-20	802033	802018
500 XC-F	08-17	802033	802018
500 XC	08-17	802033	802018
500 SC-W	08-17	802033	802018
500 XCR-W	08-16	802033	802018
500 LC4 EXC	08-15	802033	802018
500 LC4	08-15	802033	802018
500 LC4 MX	08-15	802033	802018
500 MX	08-15	802033	802018
500 MXC	08-15	802033	802018
500 SXR	08-15	802033	802018
500 SX	98	802033	802018
	08-17	802033	802018

Aluminum
Rear Sprockets

Hybrid
Rear Sprockets

OEM Size
Brakes

280mm Over
Size Brakes

Semi-Metallic
Brake Pads



APPLICATIONS

- Aluminum Rear Sprockets
- Hybrid Rear Sprockets
- OEM Size Brakes
- 280mm Over Size Brakes
- Semi-Metallic Brake Pads

MXCHAMP ExtraLite Series OEM Size Brake Rotor

Model	Year	SKU#	
		OEM Front Rotor	OEM Rear Rotor
YZ 125	01-16	804046	804027
	17-23	804047	804027
YZ 250F	02-15	804046	804027
	16-24	804047	804027
YZ 250	01-16	804046	804027
	17-23	804047	804027
WR 250F	02-16	804046	804027
	17-22	804047	804027
WR 426F	02	804046	804027
YZ 426F	01-02	804046	804027
YZ 450FX	21-23	804047	804027
YZ 450F	03-15	804046	804027
	16-23	804047	804027
WR 450F	03-15	804046	804027
	16-22	804047	804027



APPLICATIONS

MXCHAMP ExtraLite Series OEM Size Brake Rotor

Model	Year	SKU#	
		OEM Front Rotor	OEM Rear Rotor
TC 125	16-21	806033	806018
	24	806033	806018
TE 125	16	806033	806018
TE 150	17-19	806033	806018
	23-24	806033	806018
TE 150i	21	806033	806018
FE 250	14-22	806033	806018
FC 250	16-24	806033	806018
TC 250	14-22	806033	806018
	24	806033	806018
TE 250	16-18	806033	806018
TE 250i	18-21	806033	806018
	24	806033	806018
TE 300i	19-22	806033	806018
	24	806033	806018
TX 300	17-19	806033	806018
TE 300	16-18	806033	806018
	23	806033	806018
TC 300	14-18	806033	806018
FC 300	14-18	806033	806018
FE 300	14-17	806033	806018
TE 310	14-16	806033	806018
TC 310	14-16	806033	806018
FX 350	24	806033	806018
	17-20	806033	806018
FC 350	16-18	806033	806018
	20-23	806033	806018
FE 350	14-23	806033	806018
FE 350S	16	806033	806018
	20-21	806033	806018
	24	806033	806018
TE 350	14-20	806033	806018
TC 350	14-18	806033	806018
FC 450	18-24	806033	806018
	16	806033	806018
FX 450	17-20	806033	806018
FE 450	16-19	806033	806018
	24	806033	806018
FE 501	16-21	806033	806018
	23	806033	806018
FE 501S	16	806033	806018
	20-21	806033	806018
	24	806033	806018

Aluminum
Rear Sprockets

Hybrid
Rear Sprockets

OEM Size
Brakes

280mm Over
Size Brakes

Semi-Metallic
Brake Pads

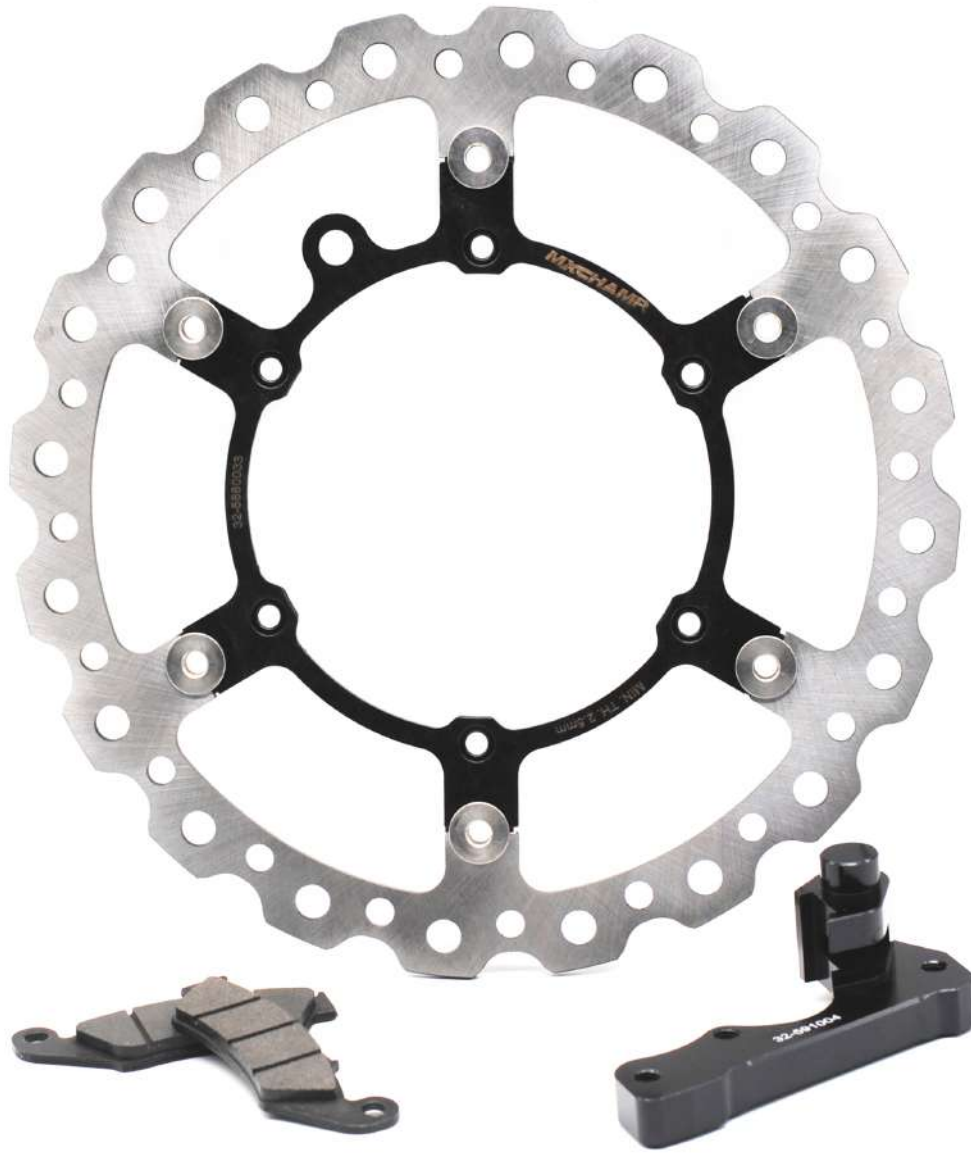
- Aluminum Rear Sprockets
- Hybrid Rear Sprockets
- OEM Size Brakes
- 280mm Over Size Brakes
- Semi-Metallic Brake Pads



APPLICATIONS

MXCHAMP ExtraLite Series OEM Size Brake Rotor

Model	Year	SKU#	
		OEM Front Rotor	OEM Rear Rotor
MC 125	21-22	807033	807018
MC 250F	20-22	807033	807018
EX 250F	21	807033	807018
EC 250	22-23	807033	807018
EX 250	23	807033	807018
EX 250F	22-23	807033	807018
EC 300	21-23	807033	807018
EX 300	21-23	807033	807018
EX 300F	22	807033	807018
EX 350F	21	807033	807018
	23	807033	807018
EX 450F	21-23	807033	807018
MC 450F	20-22	807033	807018



FEATURES:

- 280mm oversize floating rotors constructed of the highest-quality stainless steel(T420)
- Most resistant to higher temperatures and much more aggressive in braking due to the better contact between the rotor and pad
- Double disc – parallel grinding to assure perfect parallel flatness
- Brackets (sold separately) are precision CNC-machined from 6061-T6 billet aluminum or as part of a kit that includes semi-metallic pads.
- Rotor float to expand and contract as they heat up without warping
- Provide maximum stopping power while remaining perfectly flat
- Better handling of the bike and progression in brake feeling compared to any other brand rotor



Slotted Design Heat-Disappearing Hole
(for Enduro)



Flat Design Heat-Disappearing Hole
(for Motorcross/Supercross)

Aluminum Rear Sprockets
Hybrid Rear Sprockets
OEM Size Brakes
280mm Over Size Brakes
Semi-Metallic Brake Pads

- Aluminum Rear Sprockets
- Hybrid Rear Sprockets
- OEM Size Brakes
- 280mm Over Size Brakes
- Semi-Metallic Brake Pads



APPLICATIONS

MXCHAMP ExtraLite Series 280mm Over Size Floating Front Brake Rotor Kit			
Model	Year	SKU#	
		280mm Floating Rotor	Bracket
CR 125R	95-07	811031	811053
CR 250R	95-07	811031	811053
CRF 250X	06-13	811031	811053
CRF 250R	15-23	811031	811067
	04-14	811031	811053
CRF 250RX	19-23	811031	811053
CRF 450RX	17-23	811031	811053
CRF 450R	15-23	811031	811067
	02-14	811031	811053
CRF 450R WE	20-22	811031	811053
CRF 450X	05-13	811031	811053
CR 500R	95-01	811031	811053



APPLICATIONS

MXCHAMP ExtraLite Series 280mm Over Size Floating Front Brake Rotor Kit			
Model	Year	SKU#	
		280mm Floating Rotor	Bracket
KX 250	22-23	813037	813049
	20	813037	813049
	06-08	813037	813047
KX 250F	04-14	813037	813047
	15-22	813037	813048
	20-21	813037	813049
KLX 450R	08-09	813037	813047
KX 450F	06-14	813037	813047
	15-22	813037	813048
KX 450	20	813037	813049
	22-23	813037	813049
KX 450SR	22-23	813037	813049
KX 500	86-04	813037	813047



APPLICATIONS

MXCHAMP ExtraLite Series 280mm Over Size Floating Front Brake Rotor Kit			
Model	Year	SKU#	
		280mm Floating Rotor	Bracket
RM-Z 250	07-17	815036	815047
	18-21	815037	815048
RM-Z 450	08-17	815036	815047
	18-21	815037	815048



APPLICATIONS

MXCHAMP ExtraLite Series 280mm Over Size Floating Front Brake Rotor Kit

Model	Year	SKU#	
		280mm Floating Rotor	Bracket
CR 125R	95-07	811031	811053
CR 250R	95-07	811031	811053
CRF 250X	06-13	811031	811053
CRF 250R	15-23	811031	811067
	04-14	811031	811053
CRF 250RX	19-23	811031	811053
CRF 450RX	17-23	811031	811053
CRF 450R	15-23	811031	811067
	02-14	811031	811053
CRF 450R WE	20-22	811031	811053
CRF 450X	05-13	811031	811053
CR 500R	95-01	811031	811053



APPLICATIONS

MXCHAMP ExtraLite Series 280mm Over Size Floating Front Brake Rotor Kit

Model	Year	SKU#	
		280mm Floating Rotor	Bracket
KX 250	22-23	813037	813049
	20	813037	813049
	06-08	813037	813047
KX 250F	04-14	813037	813047
	15-22	813037	813048
	20-21	813037	813049
KLX 450R	08-09	813037	813047
KX 450F	06-14	813037	813047
	15-22	813037	813048
KX 450	20	813037	813049
	22-23	813037	813049
KX 450SR	22-23	813037	813049
KX 500	86-04	813037	813047



APPLICATIONS

MXCHAMP ExtraLite Series 280mm Over Size Floating Front Brake Rotor Kit

Model	Year	SKU#	
		280mm Floating Rotor	Bracket
RM-Z 250	07-17	815036	815047
	18-21	815037	815048
RM-Z 450	08-17	815036	815047
	18-21	815037	815048

- Aluminum Rear Sprockets
- Hybrid Rear Sprockets
- OEM Size Brakes
- 280mm Over Size Brakes
- Semi-Metallic Brake Pads



APPLICATIONS

MXCHAMP ExtraLite Series 280mm Over Size Floating Front Brake Rotor Kit

Model	Year	SKU#	
		280mm Floating Rotor	Bracket
125 SX	16-24	812033	812045
125 XC-W	98-19	812033	812045
125 XC	98-18	812033	812045
	21-24	812033	812045
125 EXC	98-19	812033	812045
125 SXS	98-15	812033	812045
144 SX	98-18	812033	812045
144 EXC	98-18	812033	812045
144 XC	98-17	812033	812045
144 XC-W	98-17	812033	812045
150 SX	16-22	812033	812045
150 XC-W	17-19	812033	812045
	23-24	812033	812045
150 EXC	98-18	812033	812045
	20	812033	812045
150 XC	98-18	812033	812045
200 XC-W	98-18	812033	812045
200 XC	98-18	812033	812045
200 SX	98-18	812033	812045
200 MXC	98-18	812033	812045
200 EXC	98-16	812033	812045
250 SX	16-22	812033	812045
250 XC-W	23	812033	812045
	17-18	812033	812045
250 XC	98-20	812033	812045
250 EXC	98-19	812033	812045
250 MXC	98-17	812033	812045
250 EXC-G RACING	98-15	812033	812045
250 SX-F	06-23	812033	812045
250 XC-F	16-23	812033	812045
250 EXC-F 6 DAYS	09-19	812033	812045
250 SXS-F	06-16	812033	812045
300 XC	17-19	812033	812045
	23-24	812033	812045
300 XC-W	17-18	812033	812045
	22-23	812033	812045
300 EXC	97-19	812033	812045
300 SX	97-18	812033	812045
	24	812033	812045
300 EXC 6 DAYS	09	812033	812045
350 EXC-F 6 DAYS	12-19	812033	812045
350 SX-F	16-23	812033	812045
350 EXC	11-20	812033	812045
350 XC	11-20	812033	812045
350 SX	11-19	812033	812045
350 XC-F	16-23	812033	812045
350 XCF-W	11-15	812033	812045
	21	812033	812045
400 SX	00-10	812033	812045
400 EXC-G	00-10	812033	812045

- Aluminum Rear Sprockets
- Hybrid Rear Sprockets
- OEM Size Brakes
- 280mm Over Size Brakes
- Semi-Metallic Brake Pads



APPLICATIONS

MXCHAMP ExtraLite Series 280mm Over Size Floating Front Brake Rotor Kit

Model	Year	SKU#	
		280mm Floating Rotor	Bracket
YZ 125	01-16	814046	814049
	17-23	814046	814050
YZ 250F	02-15	814046	814049
	16-24	814046	814050
YZ 250	01-16	814046	814049
	17-23	814046	814050
WR 250F	01-16	814046	814049
	17-23	814046	814050
WR 426F	02	814046	814049
YZ 426F	01-02	814046	814049
YZ 450F	03-15	814046	814049
	16-23	814046	814050
WR 450F	03-15	814046	814049
	16-22	814046	814050

Aluminum
Rear Sprockets

Hybrid
Rear Sprockets

OEM Size
Brakes

280mm Over
Size Brakes

Semi-Metallic
Brake Pads



APPLICATIONS

- Aluminum Rear Sprockets
- Hybrid Rear Sprockets
- OEM Size Brakes
- 280mm Over Size Brakes
- Semi-Metallic Brake Pads

MXCHAMP ExtraLite Series 280mm Over Size Floating Front Brake Rotor Kit			
Model	Year	SKU#	
		280mm Floating Rotor	Bracket
TC 125	16-21	816033	816045
	24	816033	816045
TE 125	16	816033	816045
TE 150	17-19	816033	816045
	23-24	816033	816045
TE 150i	21	816033	816045
FE 250	14-22	816033	816045
FC 250	16-24	816033	816045
TC 250	14-22	816033	816045
	24	816033	816045
TE 250	16-18	816033	816045
TE 250i	18-21	816033	816045
	24	816033	816045
TE 300i	19-22	816033	816045
	24	816033	816045
TX 300	17-19	816033	816045
TE 300	16-18	816033	816045
	23	816033	816045
TC 300	14-18	816033	816045
FC 300	14-18	816033	816045
FE 300	14-17	816033	816045
TE 310	14-16	816033	816045
TC 310	14-16	816033	816045
FX 350	24	816033	816045
	17-20	816033	816045
FC 350	16-18	816033	816045
	20-23	816033	816045
FE 350	14-23	816033	816045
FE 350S	16	816033	816045
	20-21	816033	816045
	24	816033	816045
TE 350	14-20	816033	816045
TC 350	14-18	816033	816045
FC 450	18-24	816033	816045
	16	816033	816045
FX 450	17-20	816033	816045
FE 450	16-19	816033	816045
	24	816033	816045
FE 501	16-21	816033	816045
	23	816033	816045
FE 501S	16	816033	816045
	20-21	816033	816045
	24	816033	816045



APPLICATIONS

MXCHAMP ExtraLite Series 280mm Over Size Floating Front Brake Rotor Kit

Model	Year	SKU#	
		280mm Floating Rotor	Bracket
MC 125	21-22	817033	817045
MC 250F	20-22	817033	817045
EX 250F	21	817033	817045
EC 250	22-23	817033	817045
EX 250	23	817033	817045
EX 250F	22-23	817033	817045
EC 300	21-23	817033	817045
EX 300	21-23	817033	817045
EX 300F	22	817033	817045
EX 350F	21	817033	817045
	23	817033	817045
EX 450F	21-23	817033	817045
MC 450F	20-22	817033	817045

Aluminum
Rear Sprockets

Hybrid
Rear Sprockets

OEM Size
Brakes

280mm Over
Size Brakes

Semi-Metallic
Brake Pads

Aluminum
Rear Sprockets

Hybrid
Rear Sprockets

OEM Size
Brakes

280mm Over
Size Brakes

Semi-Metallic
Brake Pads

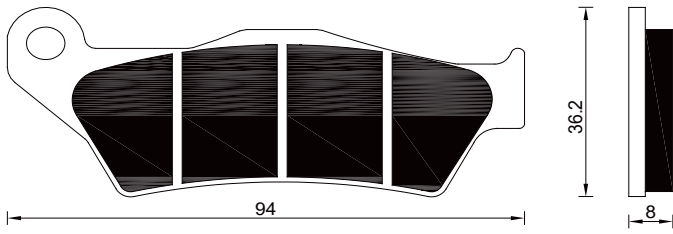


FEATURES

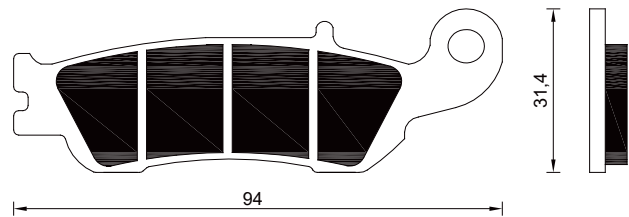
- Best performance at lower temperatures
- Offers an aggressive response
- Better heat dissipation than OEM brake pads
- Reduce brake fade providing better control
- Progressive feel whilst braking

- Aluminum Rear Sprockets
- Hybrid Rear Sprockets
- OEM Size Brakes
- 280mm Over Size Brakes
- Semi-Metallic Brake Pads

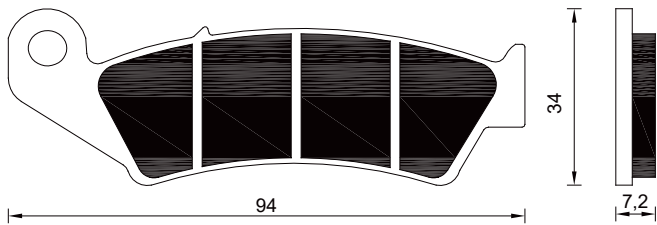
822220



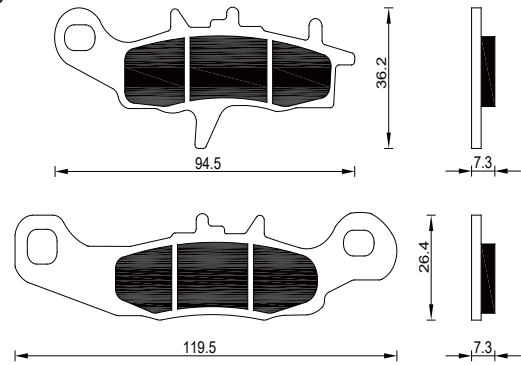
822850



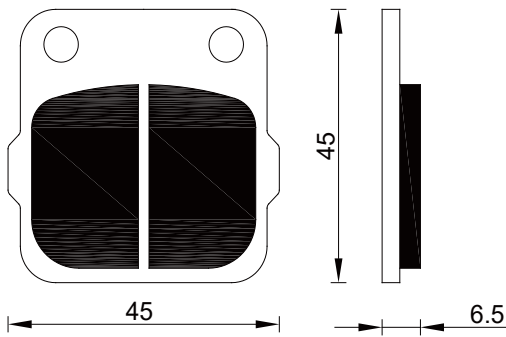
822230



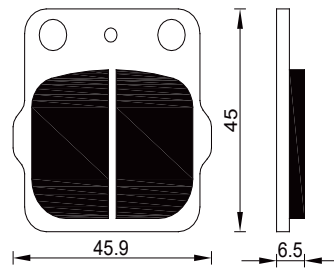
822260



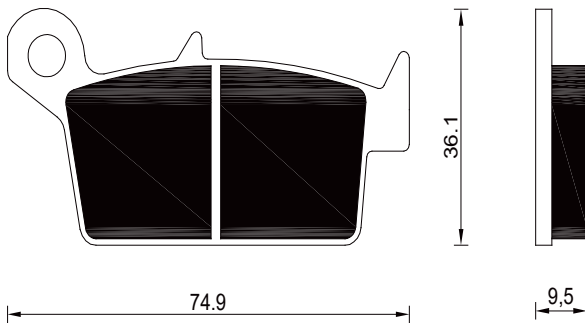
822800



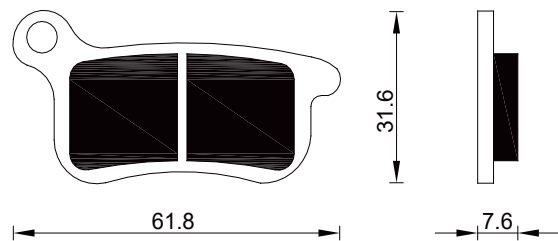
822070



822170

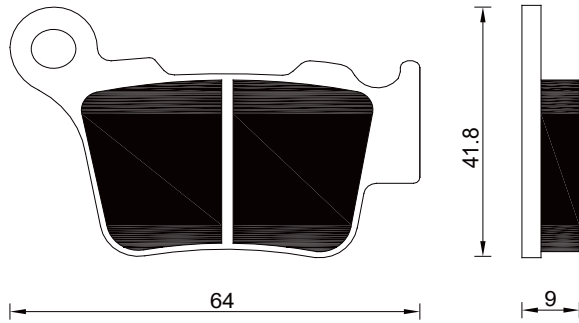


822290

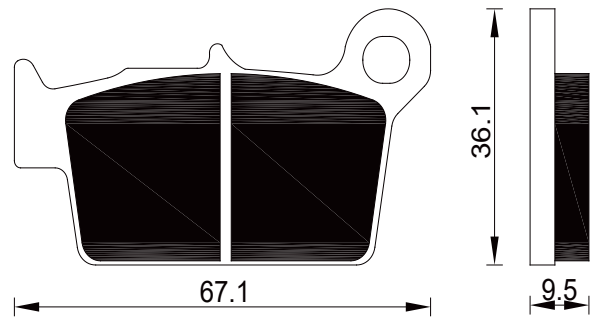


- Aluminum Rear Sprockets
- Hybrid Rear Sprockets
- OEM Size Brakes
- 280mm Over Size Brakes
- Semi-Metallic Brake Pads**

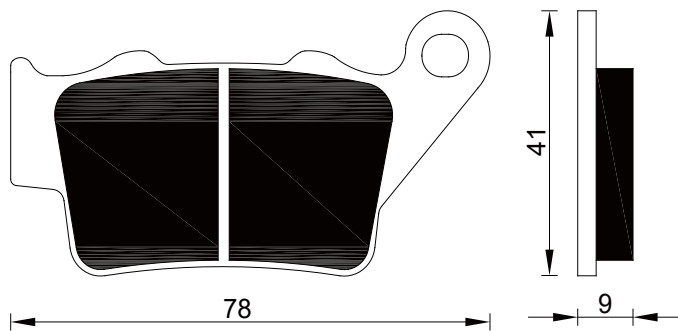
822320



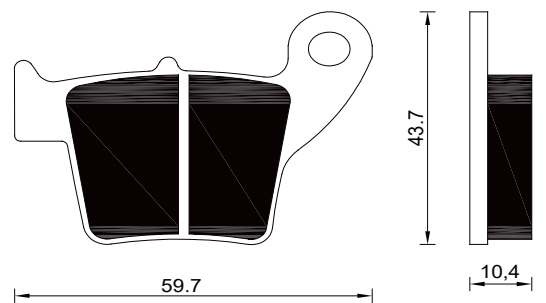
822310



822240



822280





MXCHAMP EST [®]

MXCHAMP Wheels-A Division of Road Dreams Industries Ltd.
(Headquarters): B615, King International, 345 West Huangcheng Road
Ningbo 315010, China
Phone: +86-574-8734 0577
E-mail: sales@mxchampusawheels.com
www.mxchampusashop.com
www.mxchampusawheels.com