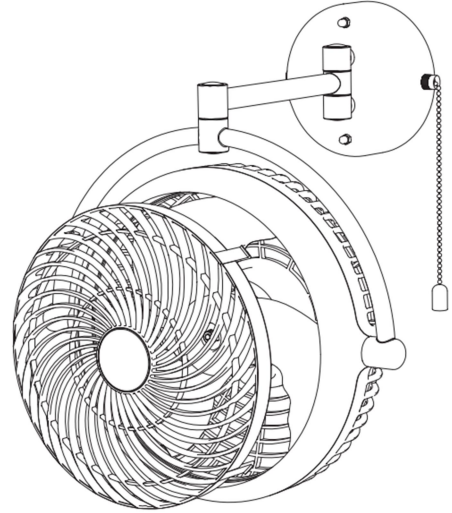
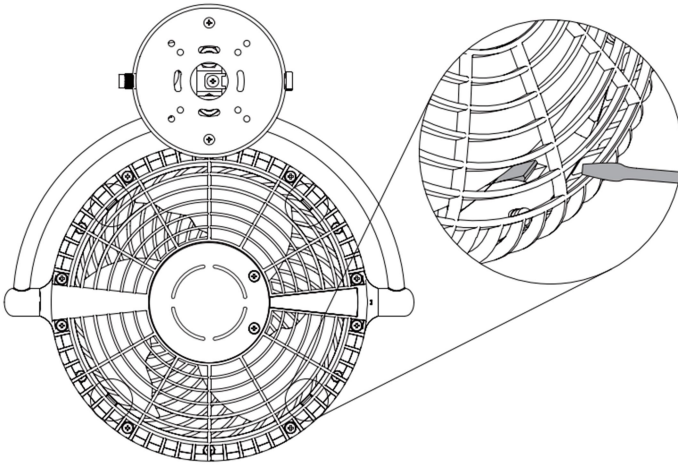


Replace F6103 motor

1. Turn off the electrical mains at the circuit breaker and unplug
2. Remove the shield.

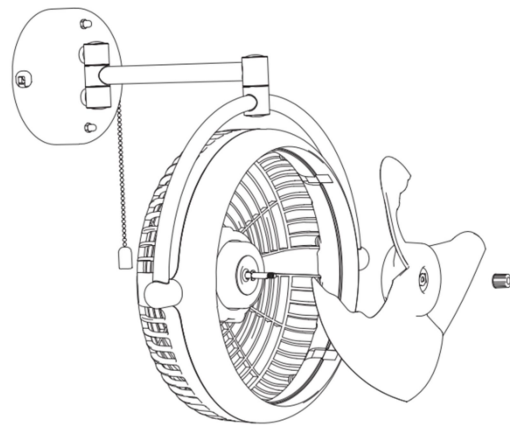
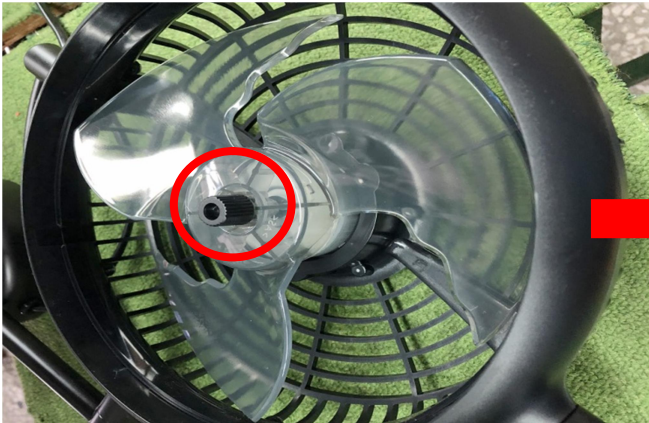
A Use flathead screwdriver to open the latch of back shield. Before take off shield please make sure power turned off.

B Remove the shield.



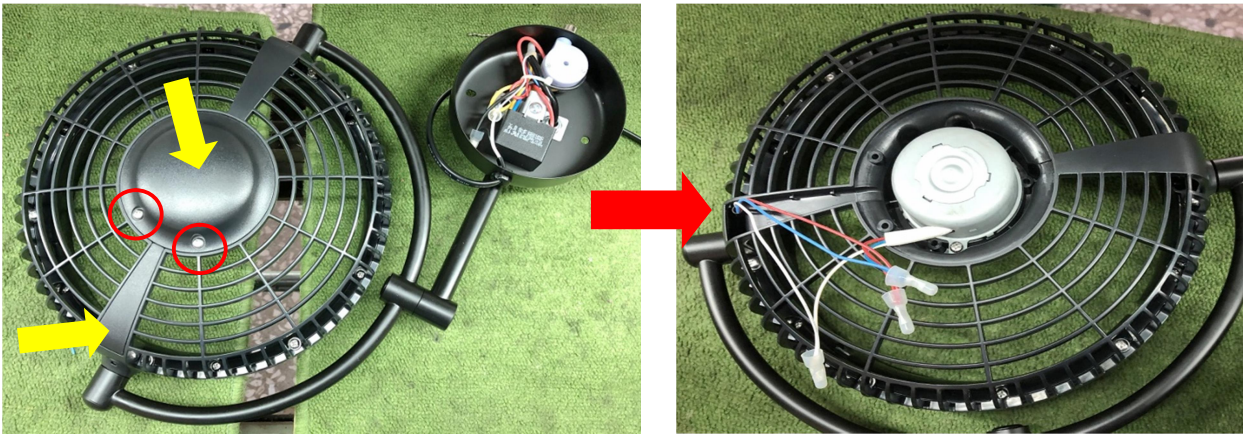
3. Anticlockwise rotation the nut to take off blade.

C Release the nut by hand then the blade can be take off.

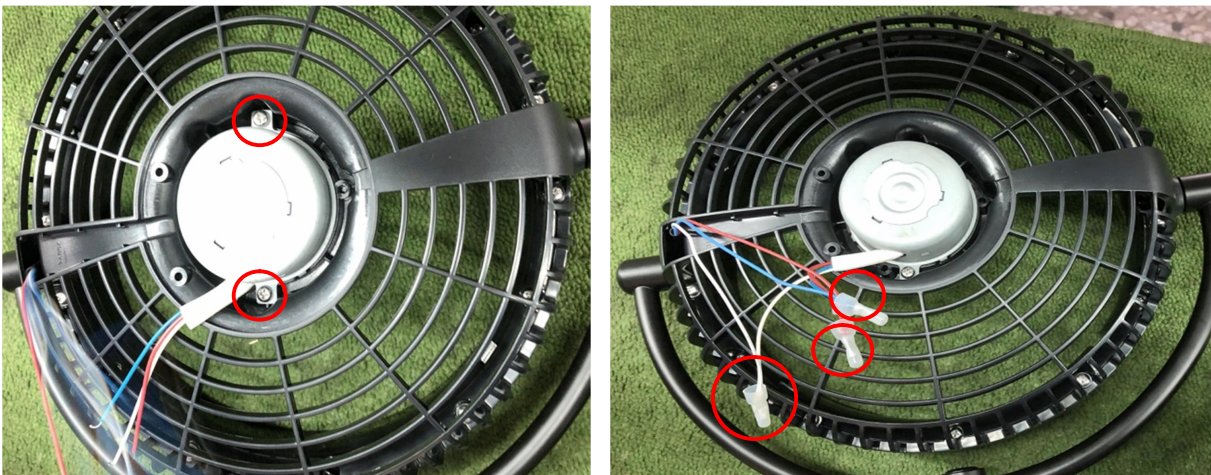


Replace F6103 motor

4. Loosen two screws of the motor cover, take off the motor cover and wire cover.



5. Loosen two screws of the motor, cut the 3 pieces close end wire connector of the motor wire, then take off motor. (Please do not cut too long in case later unable to wiring back)



6. Installation order of the motor

6.1 According to the reverse steps to install back the new motor.

6.2 Use close end wire connector to motor wires. (White connect with white wire, blue with blue, red with red)

6.3 Put the motor cover and wire cover back, and put the blade on the motor shaft.

6.4 Tighten the nut by hand on the blade and install the shield.