


User's Manual



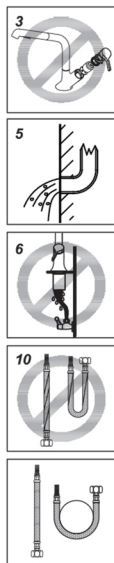
BEFORE INSTALLATION

I. Introduction

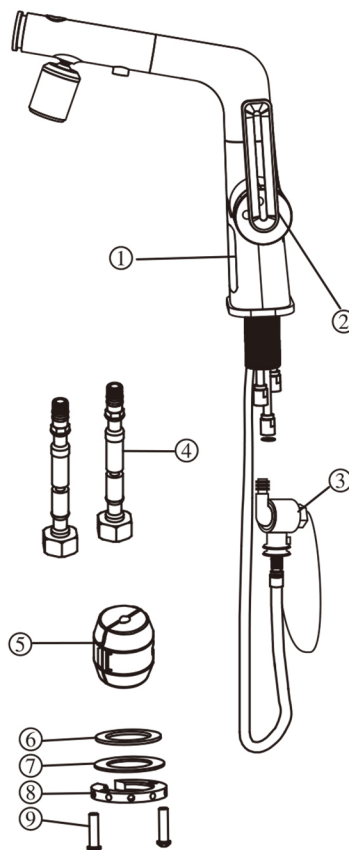
 Thank you very much for choosing our products. In order to facilitate your use of our products, please read this manual carefully when installing this product.

Installation Precautions

1. After opening the product package, please check whether the spare parts are complete or not according to the accessories listed in the "Standard Accessories List". If there is any defect, please contact the local dealer immediately.
2. The purchased basin matches the basic installation size of this product.
3. The main part of the faucet of the main body group has been tested and debugged by the factory, please do not disassemble it by yourself.
4. Special attention must be paid to the connection of the faucet to the cold and hot water pipes: the red hose is connected to hot water, and the blue hose is connected to cold water. If the connection is wrong, it will be opposite to the red and blue logo on the handle.
5. Before installing the faucet, be sure to remove the impurities and sludge in the pre-buried water pipe to avoid blockage and affect the water outlet function!
6. After installation, please turn on the water source, and then check whether the joints are tightly connected to ensure that there is no leakage.
7. Inlet water pressure requirements: 0.1MPas inlet water pressure \leq 1.0 Mpa.
8. The medium temperature is 4-90°C
9. The torque of the nut joint should not exceed 10Nm.
10. The hose cannot be bent excessively to ensure that the hose is not deformed after installation.



2. Product accessories list



Component Parts List

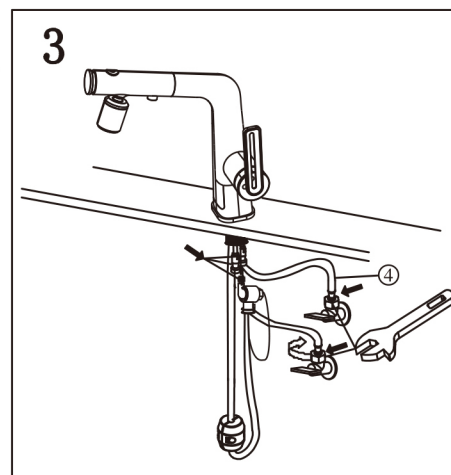
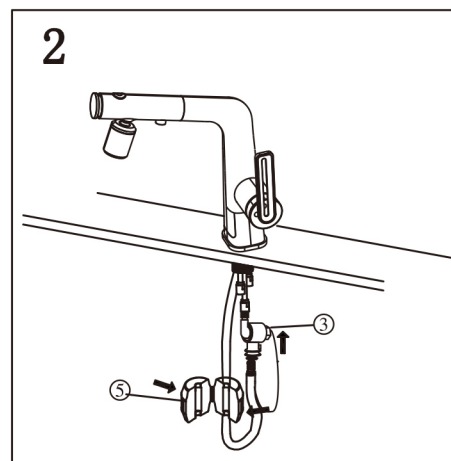
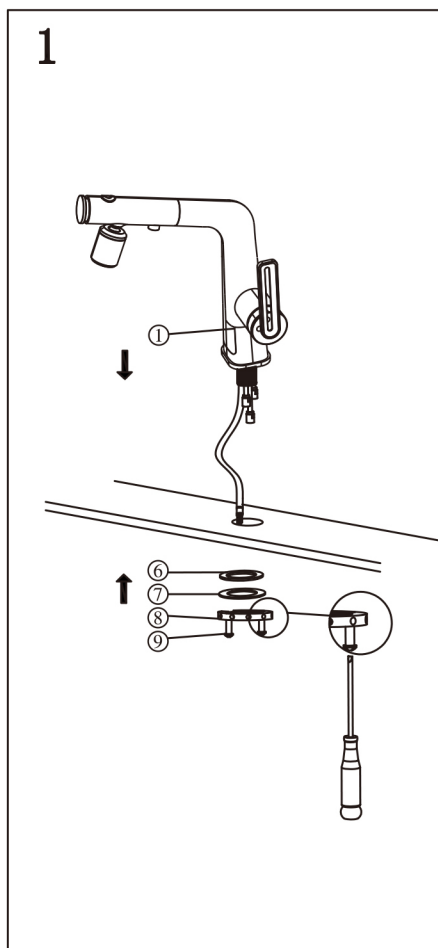
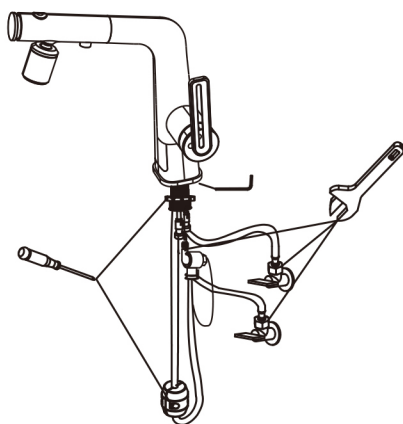
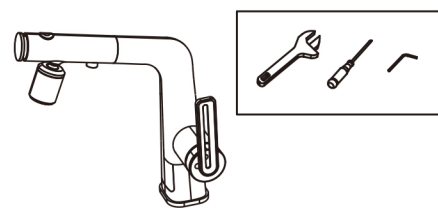
NO	Part Name
1	Body
2	Handle
3	Hydraulic generator
4	Hose
5	Weight
6	Washer
7	Washer
8	Screw
9	Lock nut



Kind tips:

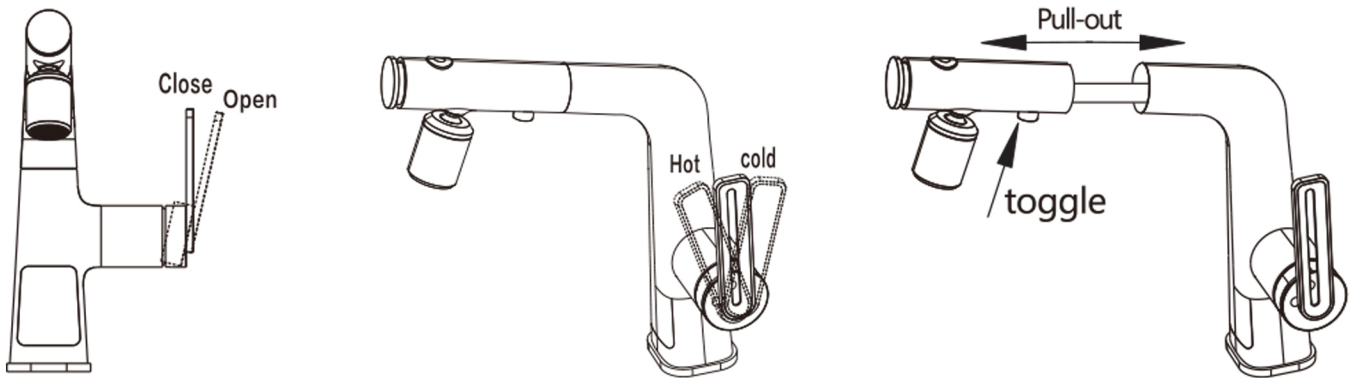
1. It is recommended to install the faucet two months after the house is decorated.
2. It is recommended not to install the faucet in a highly corrosive environment. If you want to install, please clean the surface of the faucet frequently, otherwise the service life of the faucet will be shortened.

INSTALLATION STEPS



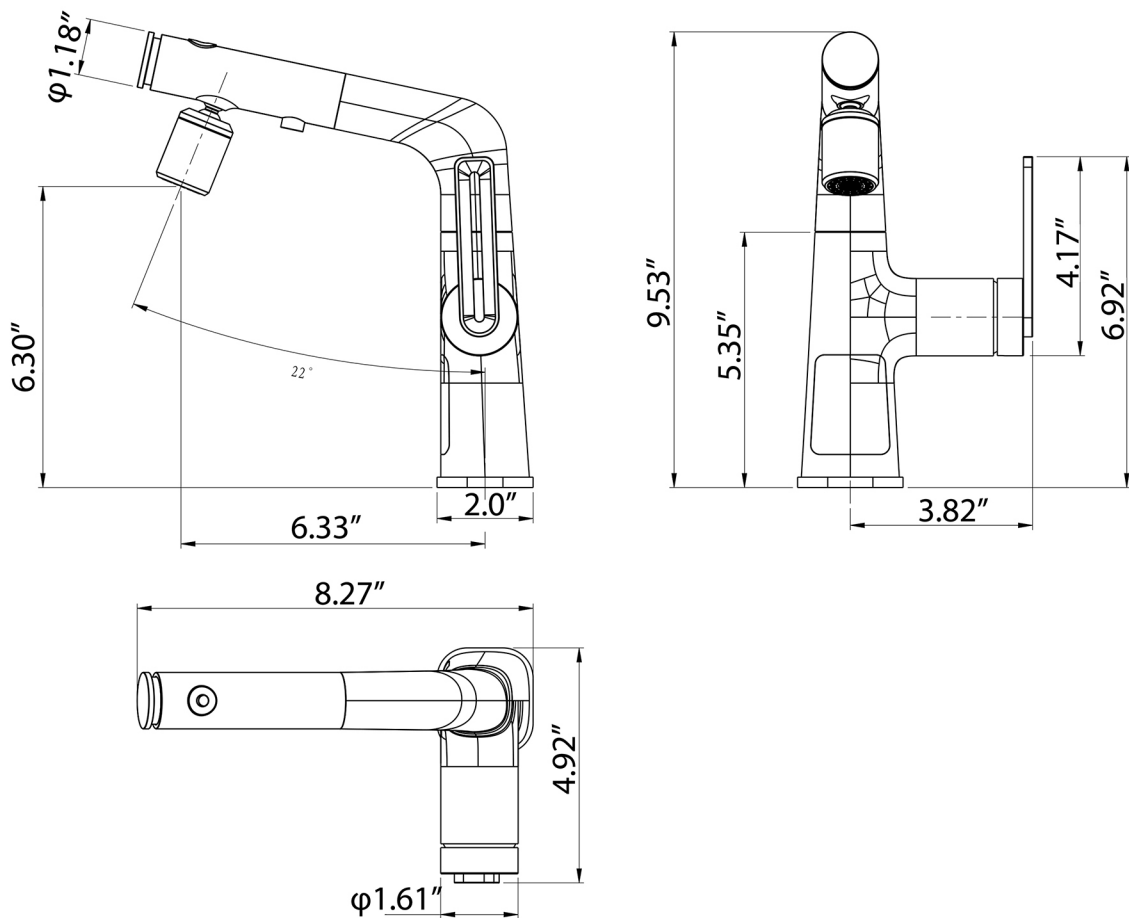
INSTRUCTIONS FOR USE

1. Gradually turn the handle, which is more beneficial to protect the valve core.
2. Pull the handle to the right to open, the larger the angle, the larger the flow; on the contrary, the smaller the angle, the smaller the flow, until it is closed.
3. When the handle is opened to the right, adjust clockwise to increase the supply of coldwater; adjust counterclockwise, the hot water supply increased.
4. The shower head can be used for extraction, which is convenient for long-distance washing. And through the switch button on the shower head, you can buy a bubbler to discharge water. Switch with shower-ike water outlet.
- 5 The water outlet can be rotated 360 degrees.



PRODUCT SIZE

Unit:mm(The size shown is for reference only)



The company has always pursued a policy of continuous improvement and improvement of product design and performance and reserves changes to its products

SERVICE GUIDE FOR LEADING CONSUMERS

Warranty regulations: The company's faucet valve core is guaranteed for five years, and the rest of the components are guaranteed for one year. This warranty is based on the effective date of the invoice of the purchase of the product.

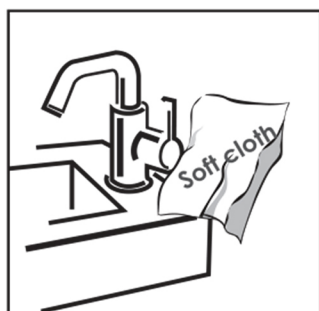
In the following cases, the company provides paid services, but is not responsible

1. Modifications due to improper installation by users;
2. Damage in transit;
3. Aging due to normal use and unused original parts,
4. Damage caused by maintenance by non-company employees
5. Failure to follow the technical instructions for use,
6. Due to freezing and debris left in the water pipe;
7. Problems caused by insufficient water pressure, or excessive impurities in the water and

CARE AND MAINTENANCE

To keep the faucet surface clean and bright, please clean the faucet frequently or regularly:

- The product is made of refined copper. It is often cleaned with water, and the faucet can be dried with a soft cotton cloth.
- Do not use granular detergents such as decontamination powder or nylon brushes, so as not to damage the product;
- Since acidic detergents can erode the surface, they should not be used. If the tiles have been washed with acidic detergents, the tiles and utensils should be washed with water immediately to prevent the detergents from washing on the surface of the faucet and eroding the surface of the faucet.



If doing extensive cleaning, follow these procedures:

1. Use clean water and a soft cloth to remove the surface dirt and scale film as much as possible;
2. Use any of the following cleaning agents to remove surface dirt and scale films;

- mild liquid cleanser
- Colorless glass cleaner, non-abrasive powdered cleaner that dissolves completely (and mix as directed)
- Non-abrasive polish.

3. After cleaning, please remove all cleaning agents with clean water, and wipe dry with a soft cotton cloth.

Please feel free to contact us if you have any questions. We will help to solve the issue together with you.

