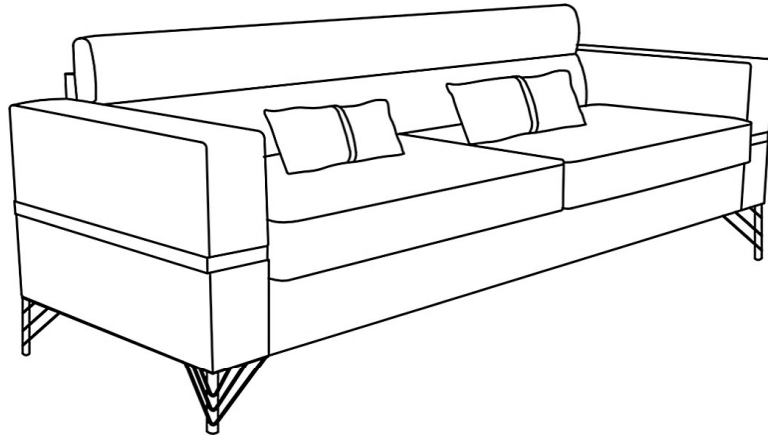


ASSEMBLY INSTRUCTIONS

ITEM NO:P16-3S



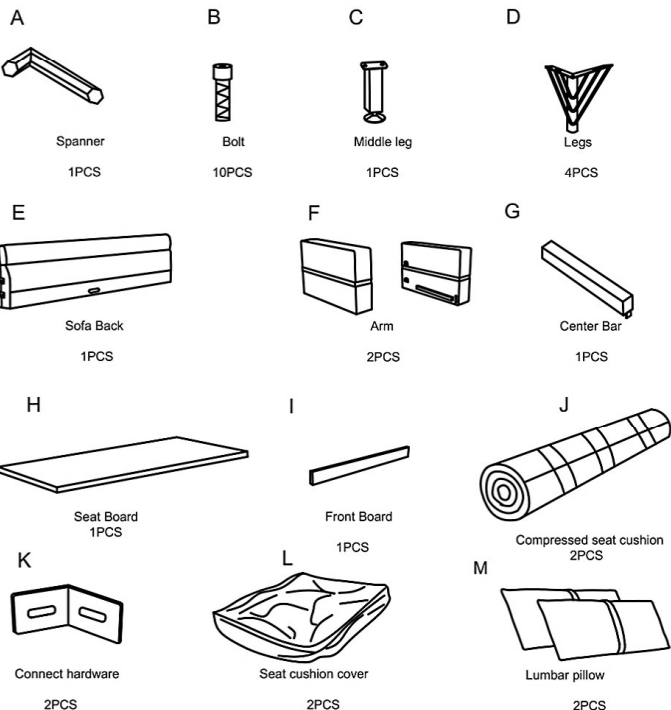
Attention



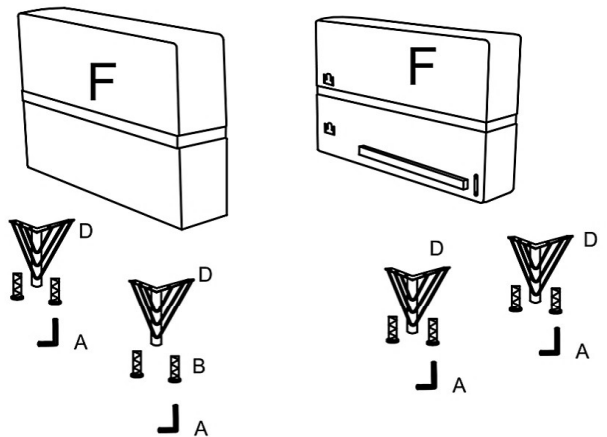
*Please do not move the sofa after installation. If you need to move the sofa, please disassemble the sofa first, and re-install it at your destination.

*Please keep this installation instruction for your future use.

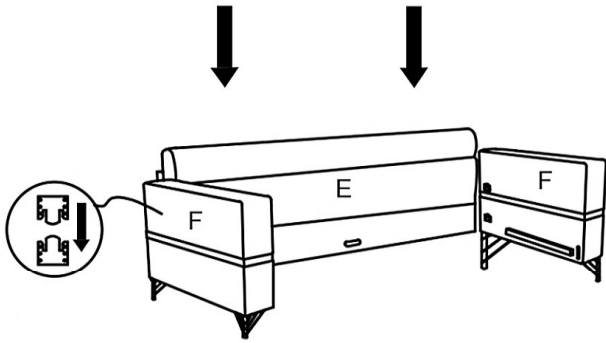
*Please read steps 3, 4, 5 and 6 of the assembly installation carefully.



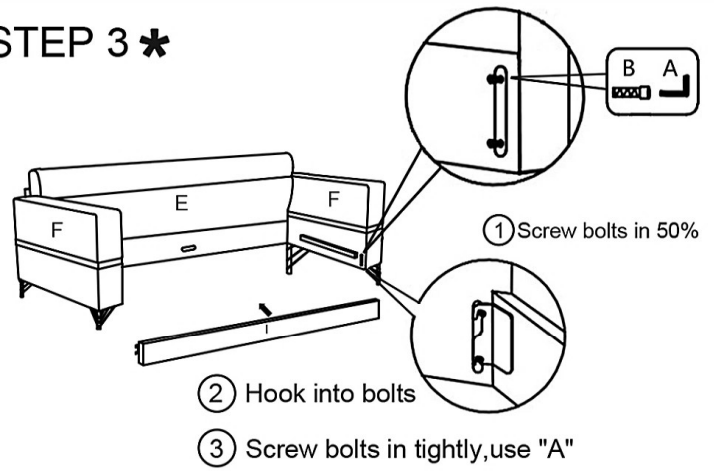
STEP 1



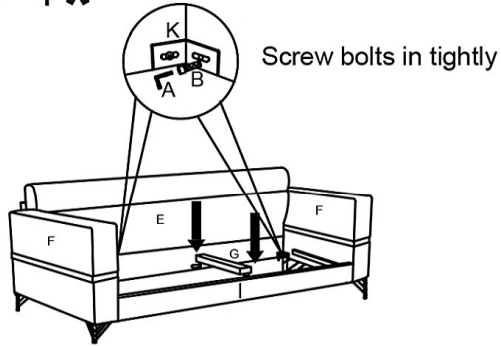
STEP 2



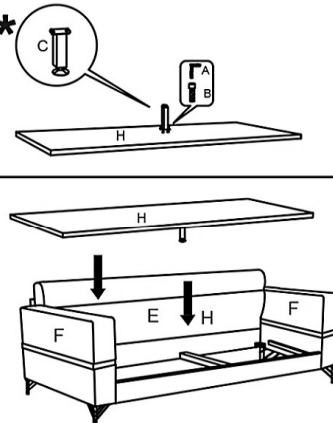
STEP 3 *



STEP 4 *

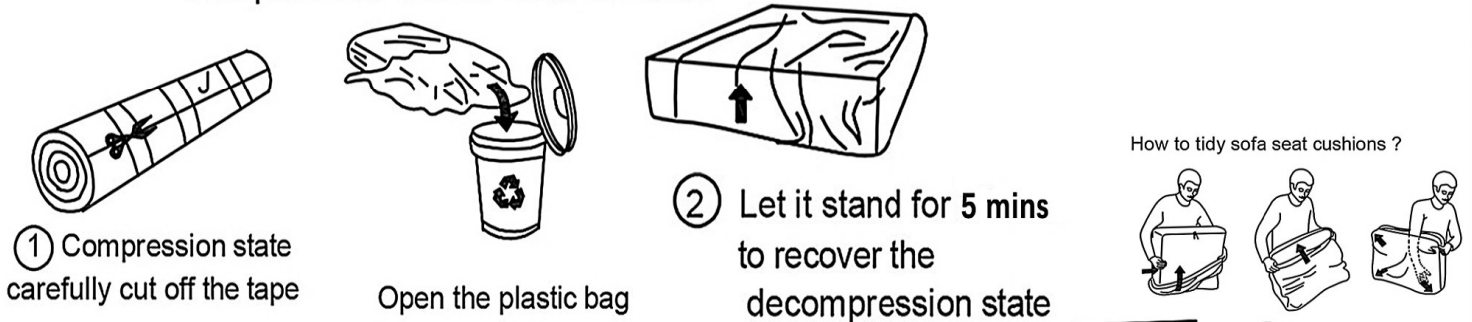


STEP 5 *

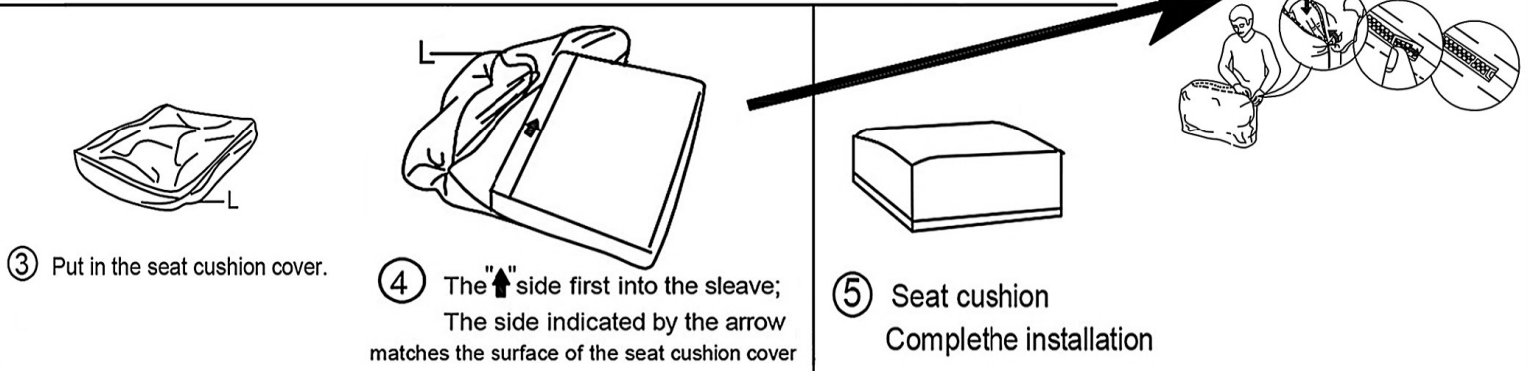


STEP 6 *

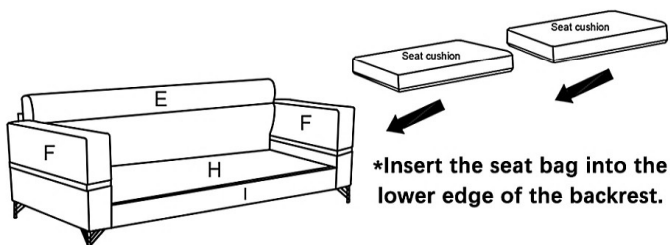
Compression use of Seat cushion.



How to tidy sofa seat cushions ?



STEP 7



STEP 8

