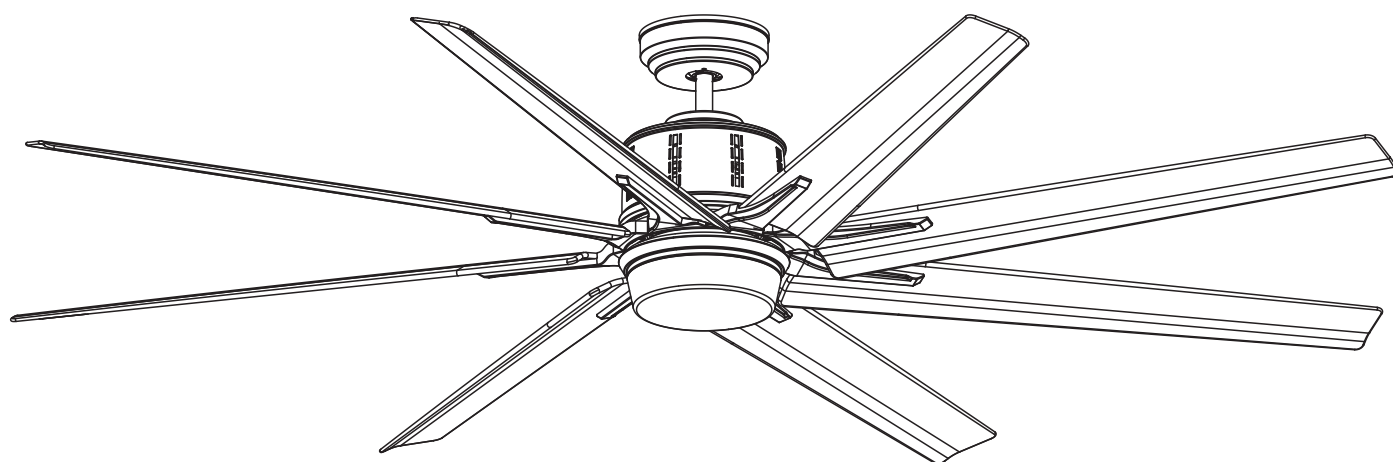


Parrot Uncle

CEILING FAN



72" Ceiling Fan Owner's Manual

BBCF985

USE AND CARE GUIDE

Table of Contents

Section	Page
Safety Instructions	2
1. Unpacking Instructions	3-4
2. Electrical Requirements	4
3. Ceiling Fan Assembly	5-7
4. How to Hang Your Ceiling Fan	8-10
5. How to Wire Your Ceiling Fan	10-11
6. Final Assembly	12-16
7. Optional Installation of No-Light Cover	17-18
8. Wall Control Procedures	19
9. Wall Control Installation	20-23

Section	Page
10. Programming Fan Control	24
11. Using Your Ceiling Fan	25
12. Maintenance	26
13. Instruction to the User	26
14. Troubleshooting	27

READ AND SAVE THESE INSTRUCTIONS

Safety Instructions

WARNING

TO REDUCE THE RISK OF FIRE, ELECTRICAL SHOCK, OR INJURY TO PERSONS, OBSERVE THE FOLLOWING:

- Use this unit only in a manner intended by the manufacturer. If you have questions, contact the manufacturer.
- Before servicing or cleaning unit, switch power off at service panel and lock service panel disconnecting means to prevent power from being switched on accidentally. When the service disconnecting means cannot be locked, securely fasten a warning device, such as a tag, to the service panel.

- Read your owner's manual carefully and keep it for future reference.
- Be careful of the fan and blades when cleaning, painting, or working near the fan. Always turn off the power to the ceiling fan before servicing.
- Do not put anything into the fan blades while they are turning.
- Do not operate reversing switch until fan blades have come to a complete stop.

Additional Safety Instructions for Installation

- To avoid possible shock, be sure electricity is turned off at the fuse box before wiring, and do not operate fan without blades.
- All wiring must be in accordance with the National Electrical Code "ANSI/NFPA 70-2017" and Local Electrical Codes. Use the National Electrical Code if Local Codes do not exist. The ceiling fan must be grounded as a precaution against possible electrical shock. Electrical installation should be made or approved by a licensed electrician.

- The outlet box and joist must be securely mounted and capable of reliably supporting at least 50 pounds. Use only ETL outlet boxes listed as "Acceptable for Fan Support of 22.7 kg. (50 lbs.) or less", and use the mounting screws provided with the outlet box. Most outlet boxes commonly used for support of light fixtures are not acceptable for fan support and may need to be replaced. Consult a qualified electrician if in doubt.
- The downrod furnished with the fan provides the minimum recommended floor to fan blade clearance for an 8 foot ceiling.

CAUTION

To reduce the risk of injury, install the fan so that the blades are at least 7 ft. (2.1m) above the floor.

- Follow the recommended instructions for the proper method of wiring your ceiling fan. If you do not know enough about electrical wiring, have your fan installed by a licensed electrician.

NOTE: All set screws must be checked and re-tightened where necessary before installation.

WARNING

To reduce the risk of electrical shock, this fan must be installed with an isolating wall control/switch. To reduce the risk of fire or electrical shock, this fan should only be used with fan speed control, Model No. RH-786R, manufactured by Rhine Electric Co., Ltd. To avoid fire, shock or injury, do not use any other brand of control not specifically approved for this fan. This product is designed to use only those parts supplied with this product and/or any accessories designated specifically for use with this product. Substitution of parts or accessories not designated for use with this product could result in personal injury or property damage. To reduce the risk of personal injury, do not bend the blade flange when installing the blade flanges, balancing the blades or cleaning the fan. Do not insert foreign objects in between rotating fan blades.

1. Unpacking Instructions

⚠ WARNING

Do not install or use fan if any part is damaged or missing.

⚠ WARNING

This product is designed to use only those parts supplied with this product and/or any accessories designated specifically for use with this product. Substitution of parts or accessories not designated for use with this product could result in personal injury or property damage.

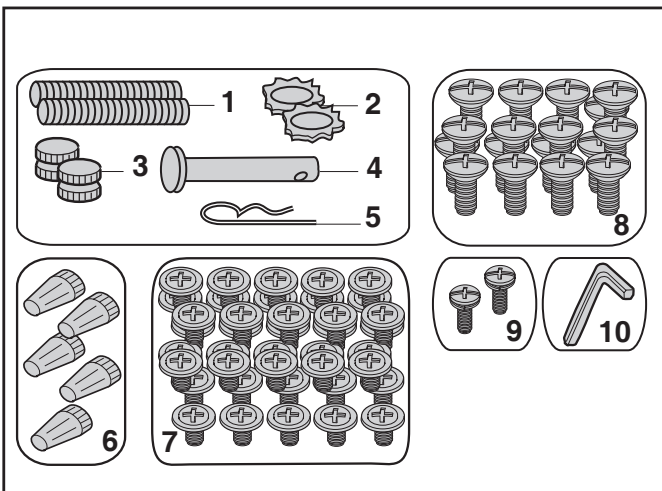
1.1

Open carton containing fan. Remove top half of styrofoam unit. Remove parts and check to see that you have received the following parts:

NOTE: If you are uncertain of part description, refer to exploded view illustration.

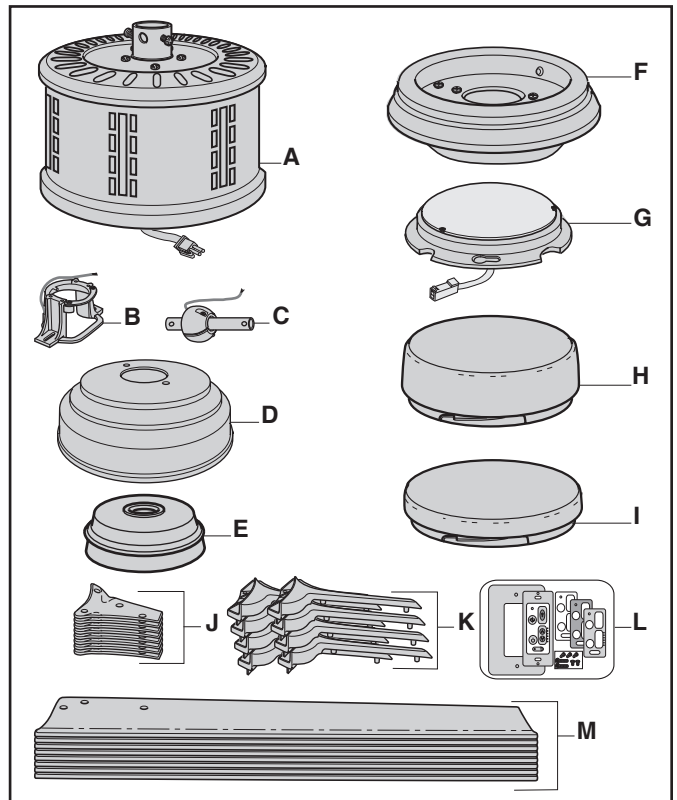
HARDWARE CONTENTS

Part	Description	Quantity
1	Threaded Studs, #8-32 x 1-1/4"	2
2	Lockwashers, External Tooth #8	2
3	Knurled Knobs, #8-32	2
4	Clevis Pin	1
5	Hairpin Clip	1
6	Wire Connectors, 12 ga.	5
7	#8-32 x 3/8" Washer Head Screws	41
8	1/4-20 x 1/2" Oval Head Screws	17
9	#6-32 x 3/8" Truss Head Screws w/Lockwashers (Spares)	2
10	Hex Wrench	1



PACKAGE CONTENTS

Part	Description	Qty.
A	Fan Motor Assembly	1
B	Hanger Bracket	1
C	Hanger Ball / 6" Downrod Assembly	1
D	Ceiling Cover	1
E	Coupler Cover	1
F	Lower Housing	1
G	LED Light Fixture Assembly	1
H	Glass	1
I	No-Light Cover	1
J	Blade Flange Plates	8
K	Blade Flanges	8
L	Wall Control / Hardware	1
M	Fan Blades	8



NOTE: Place the parts from the loose parts bags in a small container to keep them from being lost. If any parts are missing, call 1-800-777-4440 for replacement parts before proceeding.

1.2

Remove the Fan Motor Assembly from the protective plastic bag. Turn the upper styrofoam pad over and carefully place the Fan Motor Assembly into the recess in the pad with the top of the motor facing up.

1. Unpacking Instructions (Continued)

This Manual Is Designed to Make it as Easy as Possible for You to Assemble, Install, Operate and Maintain Your Ceiling Fan

THIS FAN IS SUITABLE FOR DAMP LOCATIONS SUCH AS COVERED PORCHES, COVERED PATIOS, AND COVERED DECKS. ANYWHERE THERE IS A ROOF OVERHEAD.

Tools Needed for Assembly

One Phillips Head Screwdriver One Stepladder
One 1/4" Blade Screwdriver One Wire Stripper

Materials

Wiring outlet box and box connectors must be of type required by the local code. The minimum wire would be a 3-conductor (2-wire with ground) of following size:

<u>Installed Wire Length</u>	<u>Wire Size A.W.G.</u>
Up to 50 ft.	14
50-100 ft.	12

WARNING

Before assembling your ceiling fan, refer to section on proper method of wiring your fan (page 10). If you feel you do not have enough wiring knowledge or experience, have your fan installed by a licensed electrician.

Remote Controls (Sold Separately)

SR650 and SR600 Remote Controls (sold separately) may be used with this AIRA ECO LED Ceiling Fan.

2. Electrical Requirements

Your new Ceiling Fan will require a Grounded Electrical Supply line of 120 Volts AC, 60 Hz, 15 Amp Circuit.

WARNING

To reduce the risk of fire, electric shock, or personal injury, mount fan to outlet box marked "Acceptable for Fan Support of 22.7 kg. (50 lbs.) or less", and use screws supplied with outlet box. Most outlet boxes commonly used for support of light fixtures are not acceptable for fan support and may need to be replaced. Consult a qualified electrician if in doubt.

WARNING

Turning off wall switch is not sufficient. To avoid possible electrical shock, be sure electricity is turned off at the main fuse box before wiring. All wiring must be in accordance with National and Local codes and the ceiling fan must be properly grounded as a precaution against possible electrical shock.

The Outlet Box must be securely anchored and capable of withstanding a load of at least 50 pounds.

If your Fan is to replace an existing ceiling light fixture, turn Electricity Off at the Main Fuse Box at this time and remove the existing light fixture.

WARNING

To avoid fire or shock, follow all wiring instructions carefully.

Any electrical work not described in these instructions should be done or approved by a licensed electrician.

3. Ceiling Fan Assembly

3.1

Disconnect electrical power to the Branch Circuit at the Circuit Breaker or Fuse Box before attempting to install the Ceiling Fan Hanger Bracket on the Outlet Box.

⚠ WARNING

Turning off wall switch is not sufficient. To avoid possible electrical shock, be sure electricity is turned off at the main fuse box before wiring. All wiring must be in accordance with National and Local codes and the ceiling fan must be properly grounded as a precaution against possible electrical shock.

3.2

Remove the Hanger Ball by loosening the Set Screw in the Hanger Ball until the Ball falls freely down the Downrod (Figure 1).

Remove the Pin from the Downrod, then remove the Hanger Ball.

Retain the Pin and Hanger Ball for reinstallation in Step 3.8.

NOTE: Do not loosen the Screw holding the Green Ground Wire.

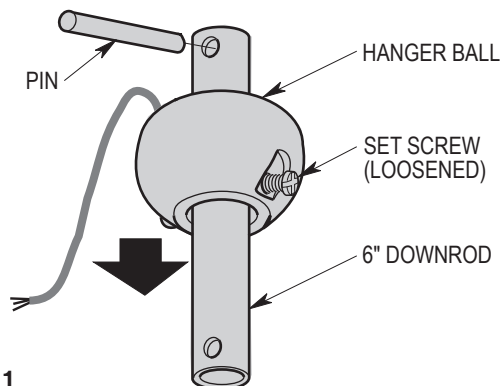


Figure 1

3.3

Separate, untwist and unkink the two 80" Motor Wires.

Route the 80" Black and White Motor Wires through the Downrod (Figure 2).

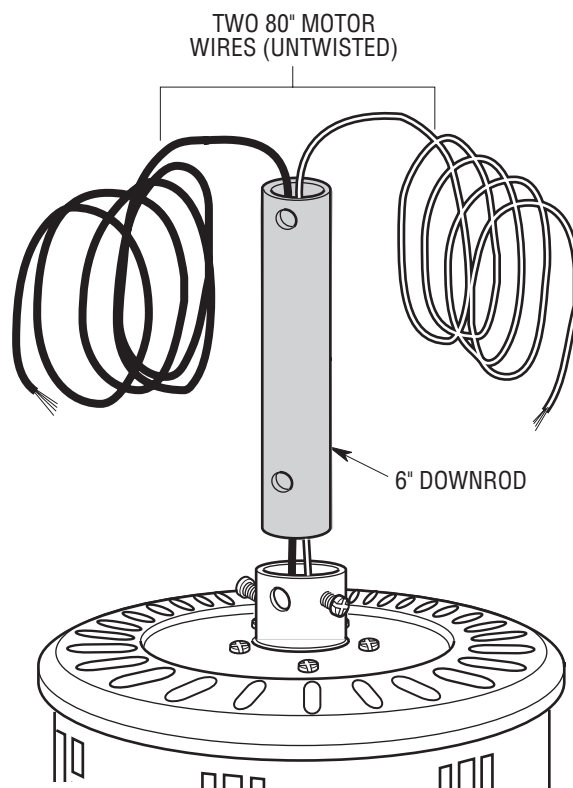


Figure 2

3. Ceiling Fan Assembly (Continued)

3.4

Loosen the two Set Screws in the Motor Coupler.

Place the 6" Downrod into the Motor Coupler, aligning the Clevis Pin Holes in the Downrod with the Holes in the Motor Coupler (Figure 3).

The Clevis Pin must go through the Holes in the Motor Coupler and the Holes in the Downrod.

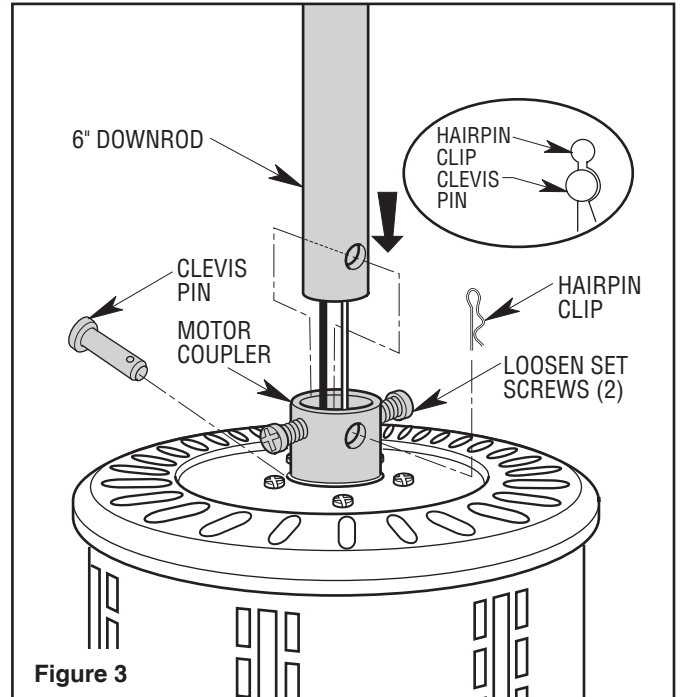
Be sure to push the straight leg of the Hairpin Clip through the Hole near the end of the Clevis Pin until the curved portion of the Hairpin Clip snaps around the Clevis Pin.

The Hairpin Clip must be properly installed to prevent the Clevis Pin from working loose.

Pull on the Downrod to make sure the Clevis Pin is properly installed.

⚠ WARNING

It is critical that the clevis pin in the motor coupling is properly installed. Failure to verify that the pin is properly installed could result in the fan falling.



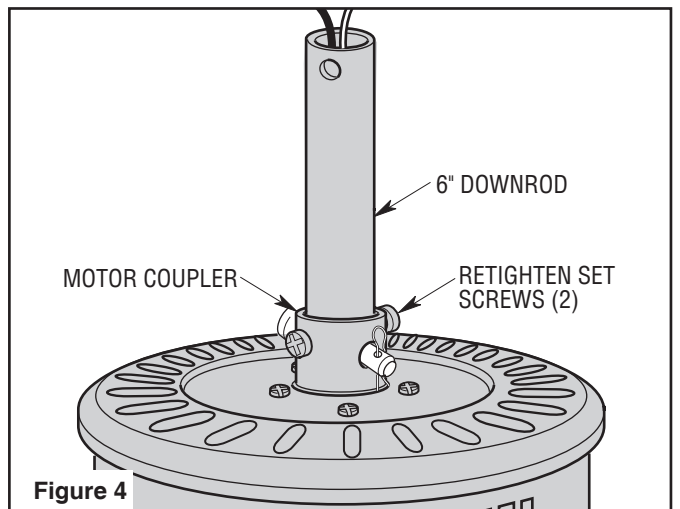
3.5

While pulling up on the 6" Downrod, retighten the two Set Screws (previously loosened) in the Motor Coupler to secure the Downrod into place (Figure 4).

NOTE: The Set Screws must be properly installed as described above, or fan wobble could result.

⚠ WARNING

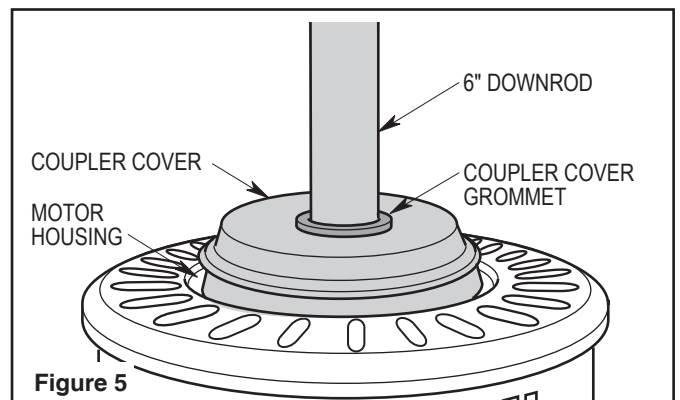
It is critical that the set screws are securely tightened. Failure to verify that the set screws are properly installed could result in the fan falling.



3.6

Route the 80" Black and White Motor Wires through the Coupler Cover (Figure 5).

Make sure the Grommet is properly installed in the Coupler Cover then slide the Coupler Cover on the Downrod until it rests on the Fan Motor Assembly (Figure 5).

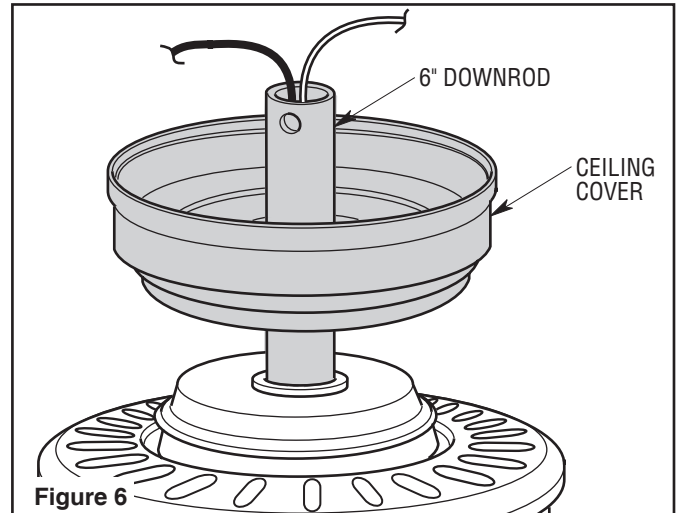


3. Ceiling Fan Assembly (Continued)

3.7

Route the 80" Black and White Motor Wires through the Ceiling Cover (Figure 6).

Place the Ceiling Cover over the Downrod. Be sure both the Ceiling Cover and the Coupler Cover are oriented correctly (Figure 6).



3.8

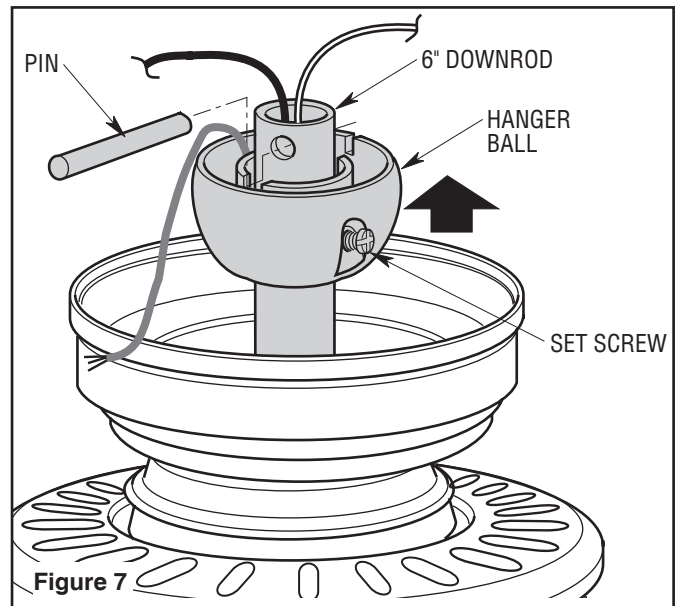
NOTE: Only use the Hanger Ball supplied with this Ceiling Fan.

Route the two 80" Motor Wires through the Hanger Ball. Reinstall the Hanger Ball (Figure 7) on the Downrod as follows:

Position the Hanger Ball Pin through the two Holes in the Downrod and align the Ball so the Pin is captured in the Groove in the top of the Hanger Ball.

Pull the Hanger Ball up tight against the Pin and securely tighten the Set Screw in the Hanger Ball.

NOTE: A loose Set Screw could create Fan wobble.



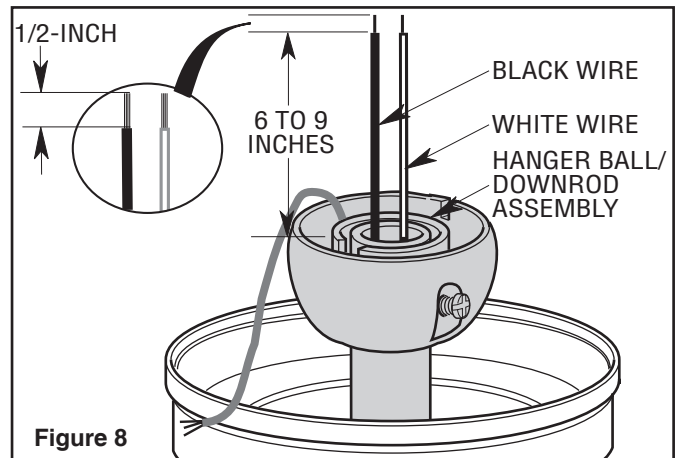
3.9

The Fan comes with Black and White Wires that are 80-inches long.

Before installing the Fan, measure up approximately 6 to 9-inches above top of Hanger Ball/Downrod Assembly (Figure 8).

Cut off excess Wires and strip back insulation 1/2-inch from end of Wires.

You have now completed the initial assembly of your new Ceiling Fan. You can now proceed with hanging and wiring your Fan.



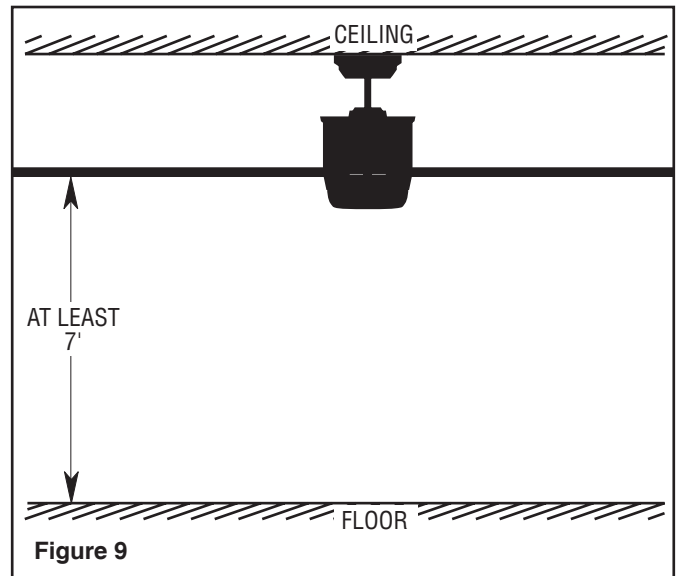
4. How to Hang Your Ceiling Fan

⚠ CAUTION

To reduce the risk of injury, install the fan so that the blades are at least 7 ft. (2.1m) above the floor (Figure 9).

⚠ WARNING

Turning off wall switch is not sufficient. To avoid possible electrical shock, be sure electricity is turned off at the main fuse box before wiring. All wiring must be in accordance with National and Local codes and the ceiling fan must be properly grounded as a precaution against possible electrical shock.

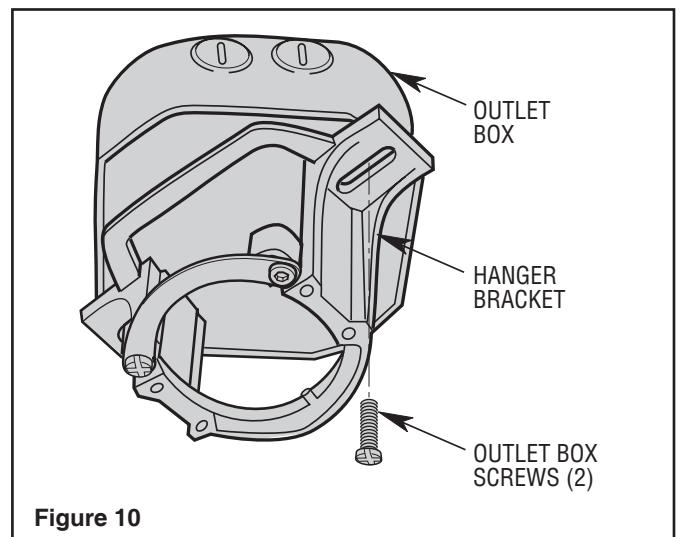


⚠ WARNING

The outlet box and joist must be securely mounted and capable of supporting at least 50 lbs. Use only a ETL outlet box listed as “Acceptable for Fan Support of 22.7 kg. (50 lbs.) or less”.

⚠ WARNING

To reduce the risk of fire, electric shock, or personal injury, mount fan to outlet box marked “Acceptable for Fan Support of 22.7 kg. (50 lbs.) or less”, and use screws supplied with outlet box. Most outlet boxes commonly used for support of light fixtures are not acceptable for fan support and may need to be replaced. Consult a qualified electrician if in doubt.



4.1

Securely attach the Hanger Bracket to the Outlet Box using the two Screws supplied with the Outlet Box (Figure 10).

NOTE: Use only the Hanger Bracket supplied with this Ceiling Fan.

⚠ WARNING

Hanger bracket must seat firmly against outlet box. If the outlet box is recessed, remove wall board until bracket contacts box. If bracket and/or outlet box are not securely attached, the fan could wobble or fall.

4. How to Hang Your Ceiling Fan (Continued)

4.2

Remove the Socket Head Cap Screw with the Hex Wrench (supplied in the parts bag) from the Retaining Strap to the Hanger Bracket (Figure 11); retain the Socket Head Cap Screw for future use.

Swing open the Retaining Strap as shown in Figure 11.

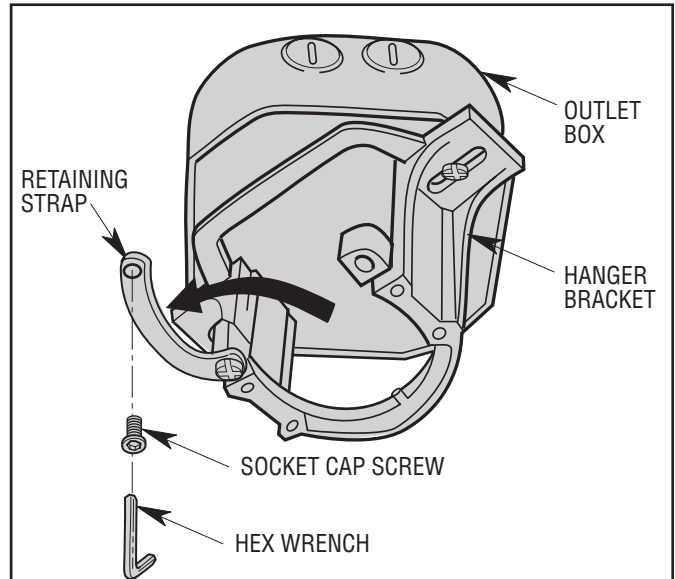


Figure 11

4.3

Carefully lift the partially assembled Ceiling Fan and seat the Hanger Ball / Downrod Assembly on the Hanger Bracket (Figure 12).

Be sure the Groove in the Ball is engaged with the Anti-Rotation Tab on the Hanger Bracket (Figure 12).

⚠ WARNING

Failure to seat tab in groove could cause damage to electrical wires and possible shock or fire hazard.

⚠ WARNING

To avoid possible fire or shock, do not pinch wires between the hanger ball/downrod assembly and hanger bracket.

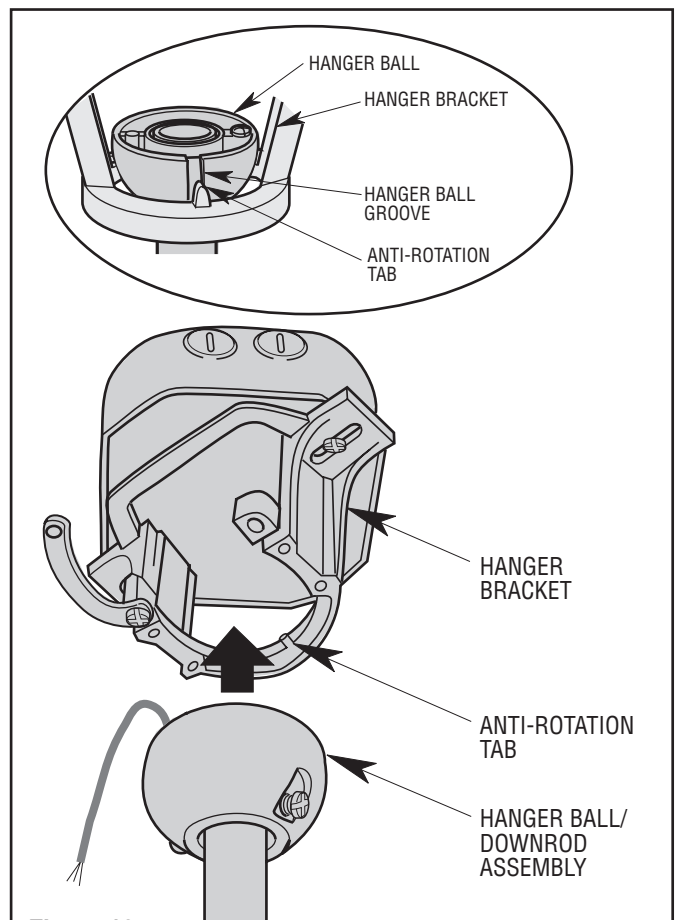


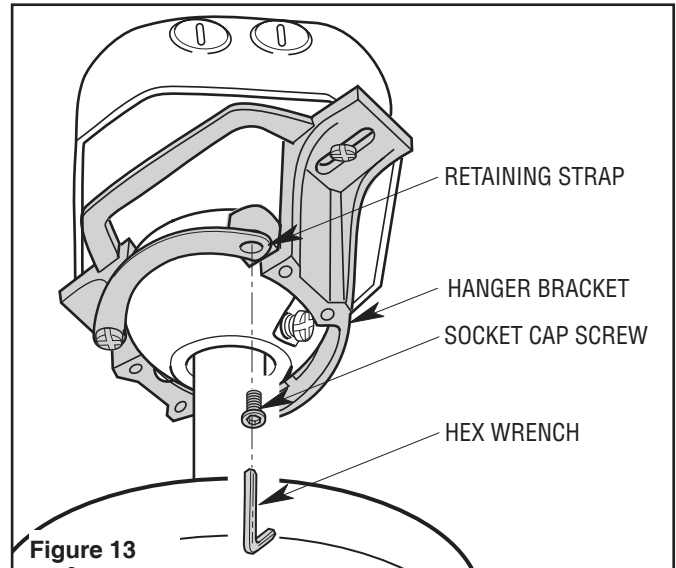
Figure 12

4. How to Hang Your Ceiling Fan (Continued)

4.4

Rotate the Retaining Strap closed (Figure 13) on the Hanger Bracket.

Reinstall the Socket Head Cap Screw (previously removed). Securely tighten the Socket Head Cap Screw (Figure 13).



5. How to Wire Your Ceiling Fan

If you feel that you do not have enough electrical wiring knowledge or experience, have your fan installed by a licensed electrician.

⚠ WARNING

To avoid possible electrical shock, be sure electricity is turned off at the main fuse box before wiring.

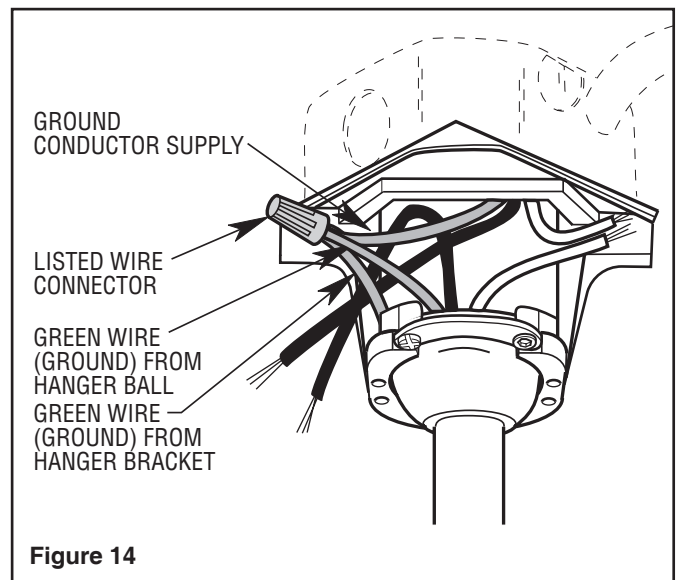
NOTE: If you are not sure if the outlet box is grounded, contact a licensed electrician for advice, as it must be grounded for safe operation.

5.1

Connect the Green Ground Wire from the Hanger Ball and the Green Ground Wire from the Hanger Bracket to the Ground Conductor of Supply (this may be a bare wire or wire with green colored insulation). Securely connect Wires with Wire Connectors supplied (Figure 14).

⚠ WARNING

Turning off wall switch is not sufficient. To avoid possible electrical shock, be sure electricity is turned off at the main fuse box before wiring. All wiring must be in accordance with National and Local codes and the ceiling fan must be properly grounded as a precaution against possible electrical shock.



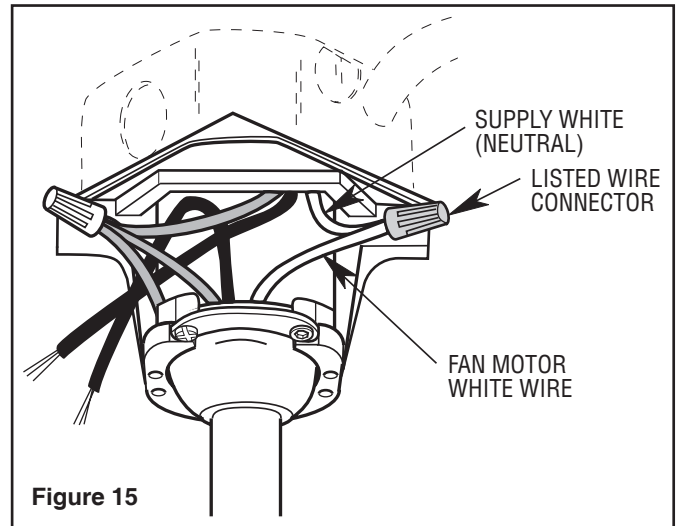
⚠ WARNING

This product is designed to use only those parts supplied with this product and/or any accessories designated specifically for use with this product. Substitution of parts or accessories not designated for use with this product could result in personal injury or property damage.

5. How to Wire Your Ceiling Fan (Continued)

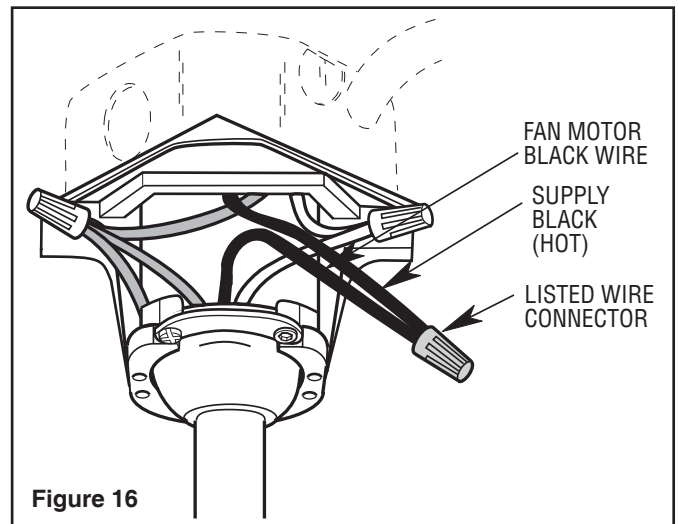
5.2

Securely connect the Fan Motor White Wire to the Supply White (neutral) Wire using Wire Connector supplied (Figure 15).



5.3

Securely connect the Fan Motor Black Wire to the Supply Black (hot) Wire using Wire Connector supplied (Figure 16).

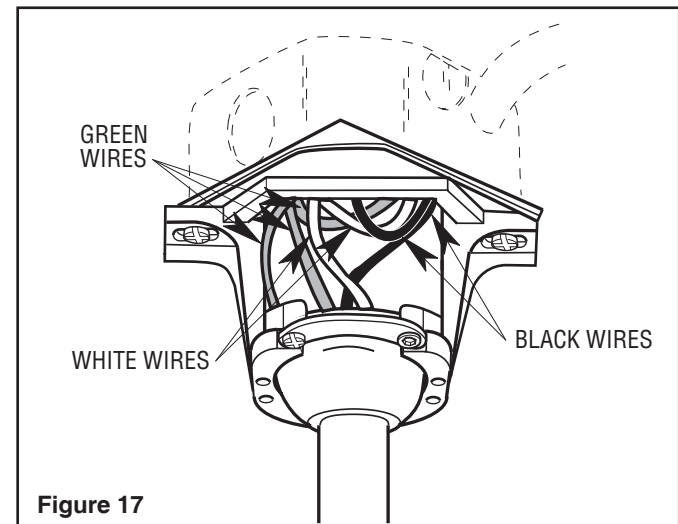


5.4

After connections have been made, turn Wires upward and carefully push Wires into the Outlet Box, with the White and Green Wires on one side of the Outlet Box and position the Black Wires on the other side of the Outlet Box (Figure 17).

WARNING

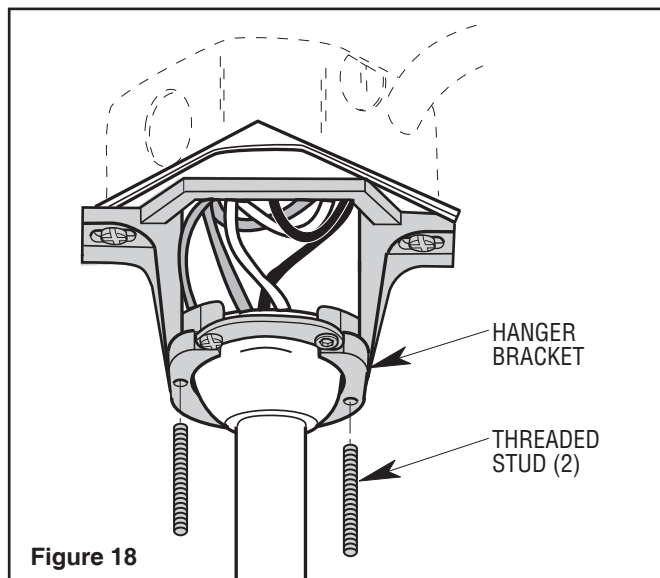
Check to see that all connections are tight, including ground, and that no bare wire is visible at the wire connectors, except for the ground wire. Do not operate fan until blades are in place. Noise and fan damage could result.



6. Final Assembly

6.1

Screw the two Threaded Studs (supplied) into the tapped holes in the Hanger Bracket (Figure 18).



6.2

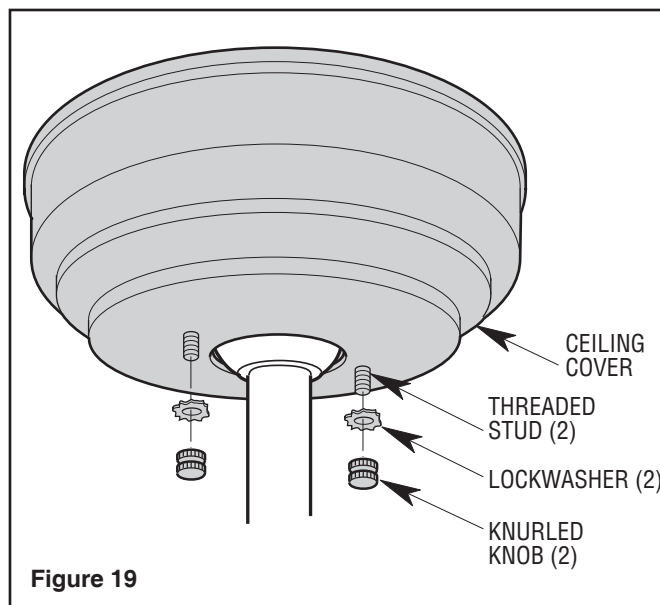
Lift the Ceiling Cover up to the Threaded Studs and turn until Studs protrude through the holes in the Ceiling Cover (Figure 19).

Secure the Ceiling Cover in place by sliding Lockwashers over the Threaded Studs and installing the two Knurled Knobs (supplied) (Figure 19).

Tighten the Knurled Knobs securely until the Ceiling Cover fits snugly against the ceiling and the hole in the Ceiling Cover is clear of the Downrod (Figure 19).

⚠ WARNING

To avoid possible fire or shock, make sure that the electrical wires are completely inside the outlet box and not pinched between the ceiling cover and the ceiling.

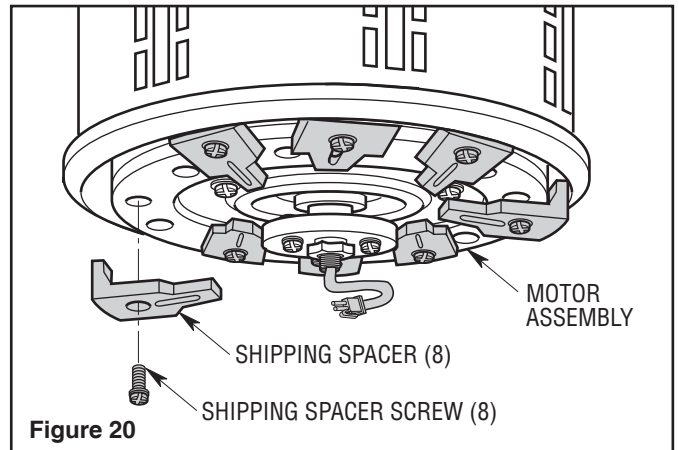


6. Final Assembly (Continued)

6.3

Remove the Shipping Spacers and the Spacer Attachment Screws from the Fan Motor before installation of Blade Assemblies (Figure 20).

Discard the Spacers and Spacer Screws.



6.4

⚠ WARNING

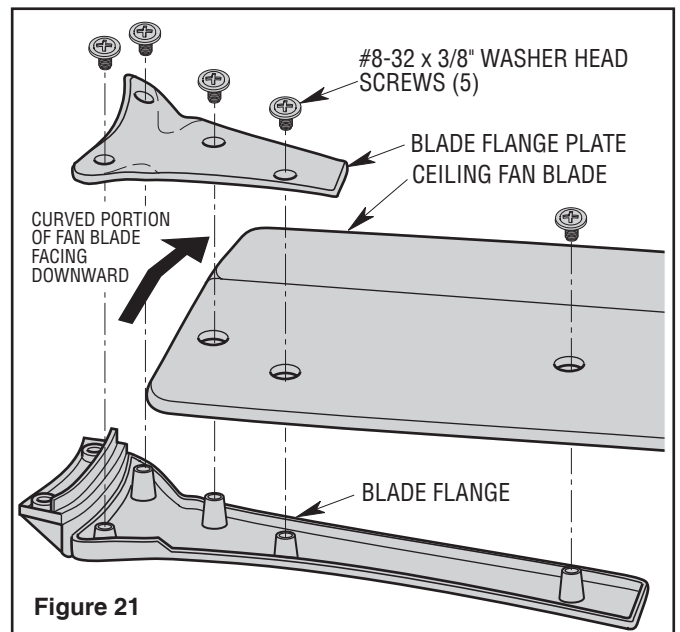
To reduce the risk of personal injury, do not bend the blade flanges when installing the flanges, balancing the blades, or cleaning the fan. Do not insert foreign objects between rotating fan blades.

Position a Ceiling Fan Blade (with the curved portion of the blade facing down) onto a Blade Flange (Figure 21).

Place a Blade Flange Plate onto the Ceiling Fan Blade, aligning the four holes (Figure 21).

Securely fasten the Blade Flange, Ceiling Fan Blade and the Blade Flange Plate using five #8-32 x 3/8" Washer Head Screws (supplied) per Assembly (Figure 21).

Repeat for remaining seven Blade/Flange/Plate Assemblies.



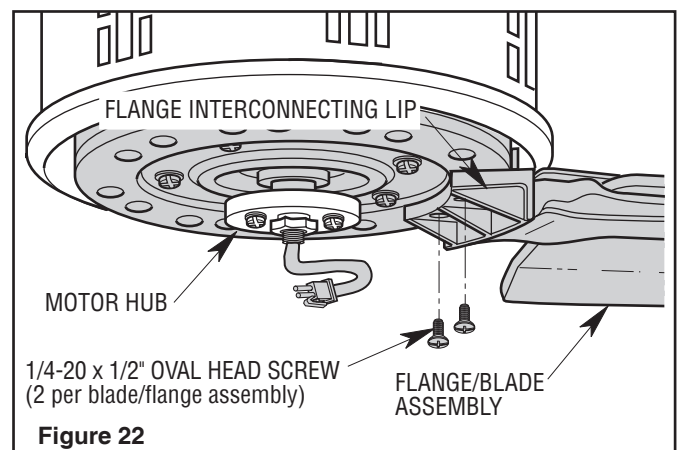
6.5

Attach the Flange/Blade Assembly to the Motor Hub using two 1/4-20 x 1/2" Oval Head Screws (supplied) (Figure 22).

Attach the Flange/Blade Assemblies clockwise making sure that the Interconnecting Lip of the Flanges mate with the next Flange Attachment (Figure 22).

Repeat this procedure for the other seven Flange/Blade Assemblies.

Make sure all the screws are tightened securely.



6. Final Assembly (Continued)

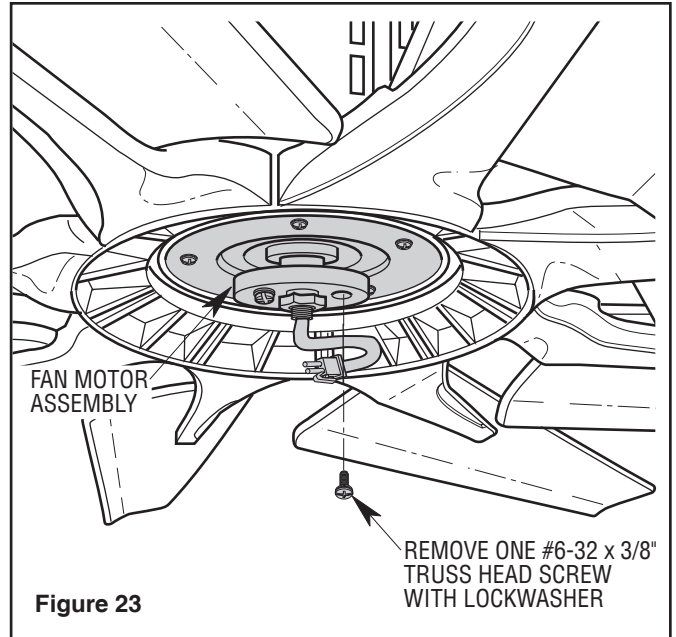
6.6

Remove one of the three #6-32 x 3/8" Truss Head Screws with Lockwashers from the Fan Motor Assembly (Figure 23). Retain the Screw for future installation.

Loosen the other two Screws several turns.

WARNING

To avoid possible fire or shock, do not pinch wires between the fan motor assembly and the lower housing.



6.7

Pass the Fan Motor 2-Pin Wire Connector through the center hole of the Lower Housing.

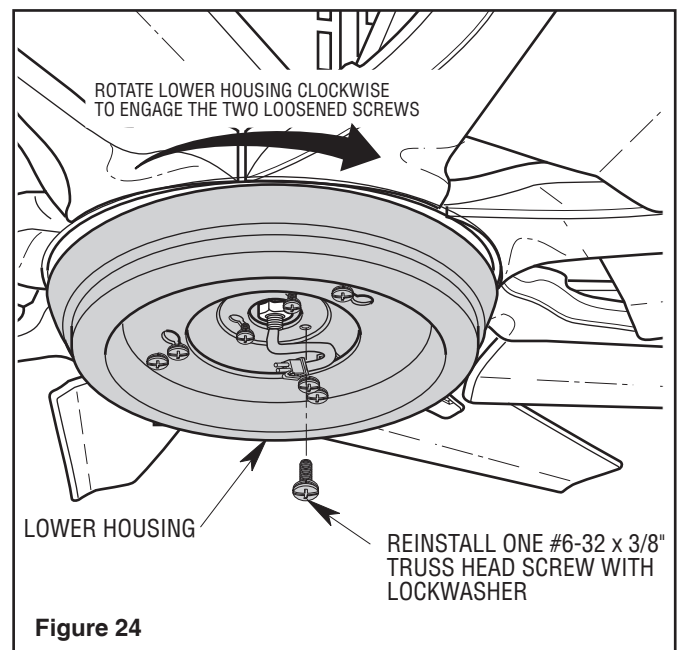
Install the Lower Housing onto the Fan Motor Assembly by aligning and engaging the keyhole slots of the Lower Housing with the loosened screw heads on the Fan Motor (Figure 24).

Rotate the Lower Housing clockwise to engage the two loosened screws.

With the Lower Housing locked into the keyhole slots, tighten the two previously loosened Screws.

Reinstall the #6-32 x 3/8" Truss Head Screw with Lockwasher (previously removed) into the Lower Housing (Figure 24).

A spare #6-32 x 3/8" Truss Head Screw with Lockwasher is provided in parts bag, if needed.



6. Final Assembly (Continued)

6.8

If using the No-Light Cover, skip this Section and go to Section 7.

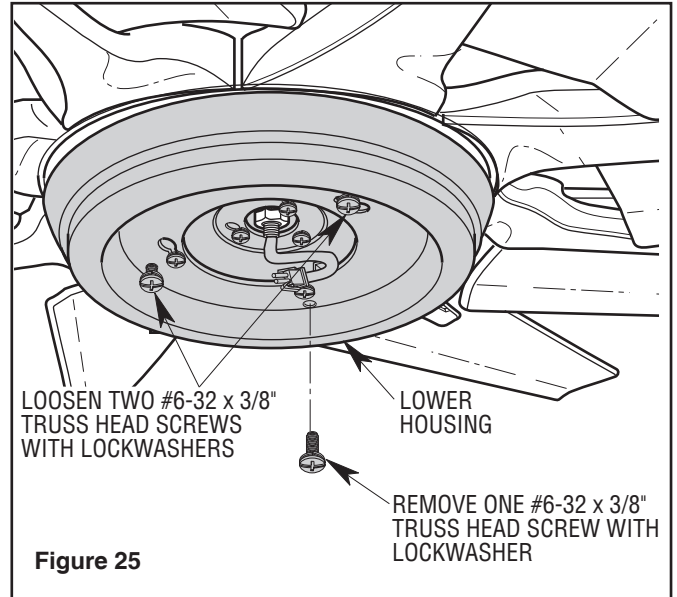
Remove one of the three #6-32 x 3/8" Truss Head Screw with Lockwasher from the Lower Housing (Figure 25). Retain the Screw for future installation.

Loosen the other two Screws several turns.

Carefully tuck all the Wires and Connectors into the Lower Housing and place the LED Light Fixture Assembly onto the Lower Housing.

WARNING

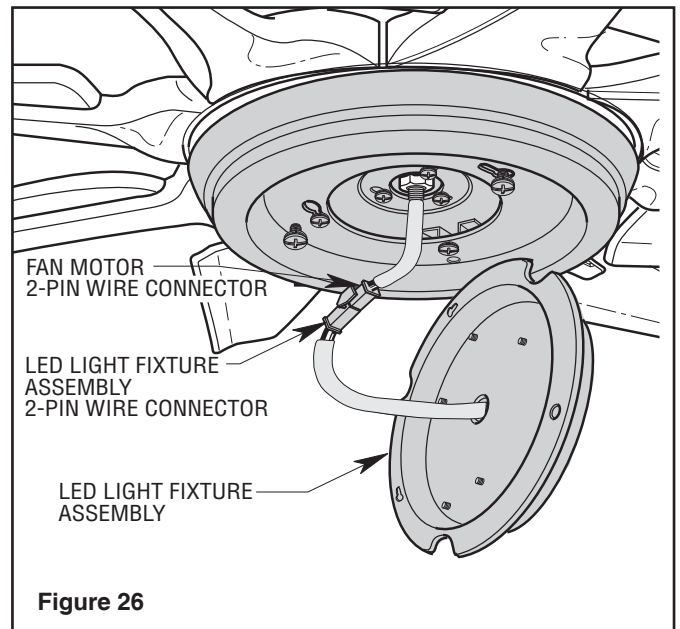
To avoid possible fire or shock, do not pinch wires between the lower housing and the LED light fixture assembly.



6.9

Engage the Fan Motor 2-Pin Wire Connector into the 2-pin Wire Connector of the LED Light Fixture Assembly (Figure 26).

The connection is complete when you hear a soft click.



6. Final Assembly (Continued)

6.10

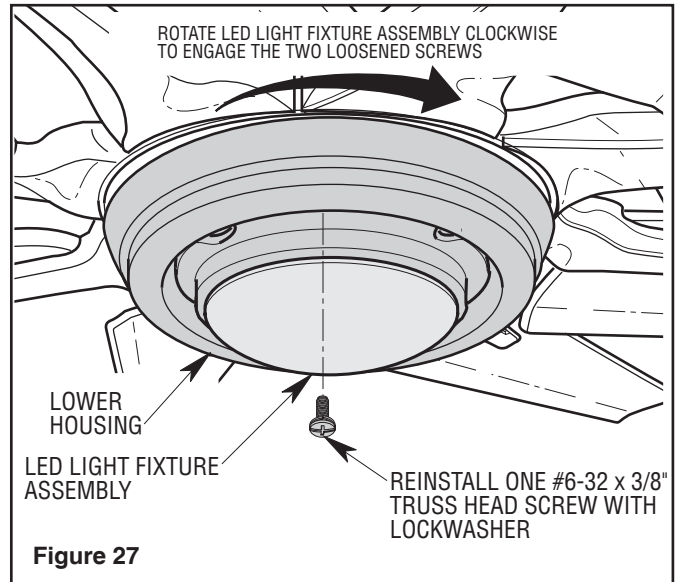
Install the LED Light Fixture Assembly onto the Lower Housing by aligning and engaging the keyhole slots of the LED Light Fixture Assembly with the loosened screw heads on the Lower Housing (Figure 27).

Rotate the LED Light Fixture Assembly clockwise to engage the two loosened Screws.

With the LED Light Fixture Assembly locked into the keyhole slots, tighten the two previously loosened Screws.

Reinstall the #6-32 x 3/8" Truss Head Screw with Lockwasher (previously removed) into the LED Light Fixture Assembly (Figure 27).

A spare #6-32 x 3/8" Truss Head Screw with Lockwasher is provided in parts bag, if needed.



6.11

Place the Glass into the Lower Housing, aligning the three flat areas on the top flange of the Glass with the three Dimples in the Lower Housing.

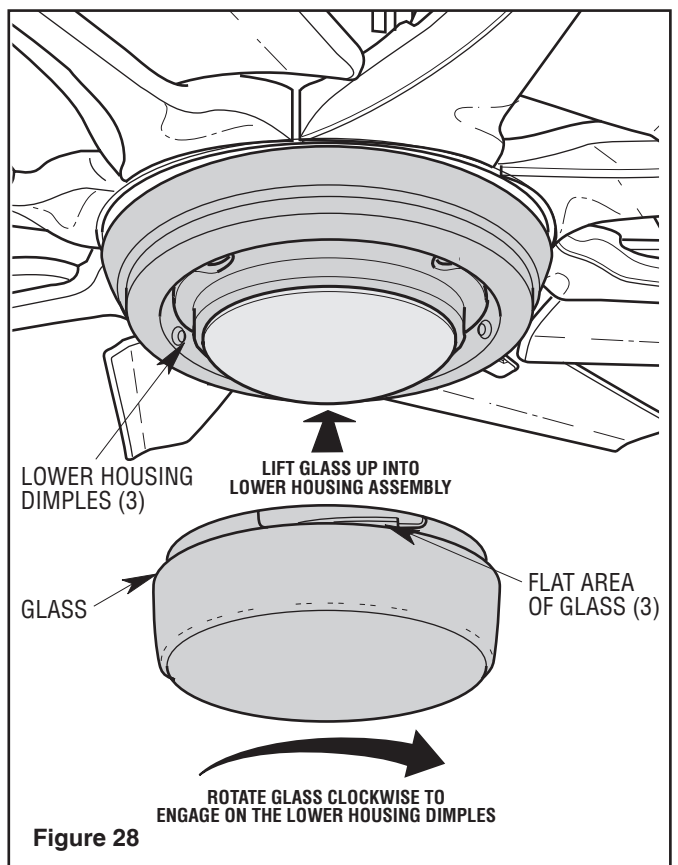
Then turn the Glass clockwise until it stops and is secure (Figure 28).

NOTE: Periodically check that the Glass is seated fully clockwise in the Lower Housing.

Installation of your Ceiling Fan is now complete.

Proceed with installation of the Wall Control, Section 8.

Please call Customer Service at 1-800-777-4440 if you have any questions about installation and operation of this Ceiling Fan.



7. Optional Installation of No-Light Cover

⚠ WARNING

Turning off wall switch is not sufficient. To avoid possible electrical shock, be sure electricity is turned off at the main fuse box before wiring. All wiring must be in accordance with National and Local codes and the ceiling fan must be properly grounded as a precaution against possible electrical shock.

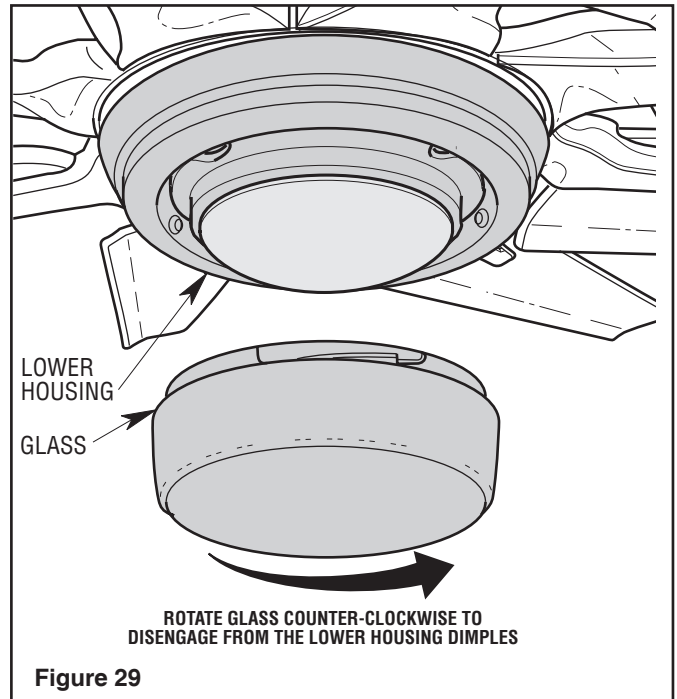
7.1

Removal of LED Light Fixture Assembly, if previously installed.

Skip to 7.4 if LED Light Fixture Assembly is NOT installed.

Remove and retain the Glass from the opening of the Lower Housing by turning the Glass counter-clockwise (Figure 29).

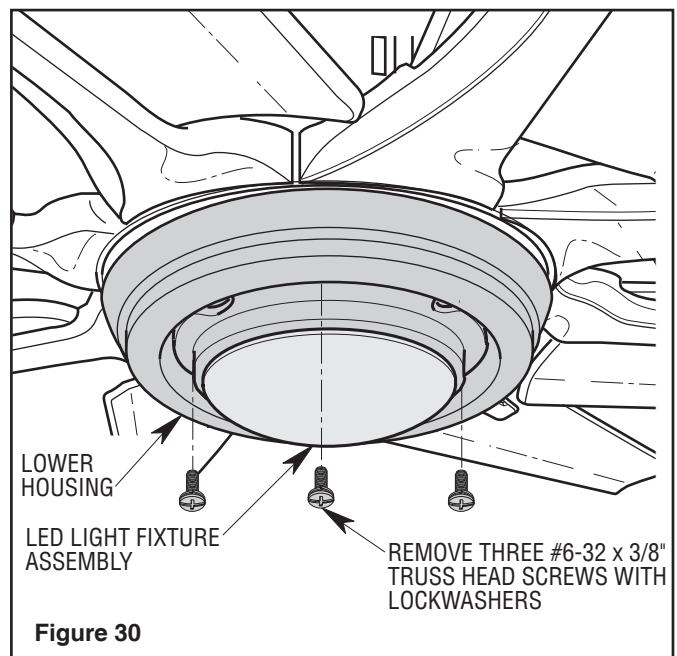
NOTE: Store the Glass in a safe place for future use, if needed.



7.2

Remove and retain the three #6-32 x 3/8" Truss Head Screws with Lockwashers from the Lower Housing to detach the LED Light Fixture Assembly (Figure 30).

NOTE: Store the #6-32 x 3/8" Truss Head Screws with Lockwashers in a safe place for future use, if needed.



7. Optional Installation of No-Light Cover (Continued)

7.3

Disengage and retain the Fan Motor 2-Pin Wire Connector from the 2-pin Wire Connector of the LED Light Fixture Assembly (Figure 31).

NOTE: Store the LED Light Fixture Assembly in a safe place for future use, if needed.

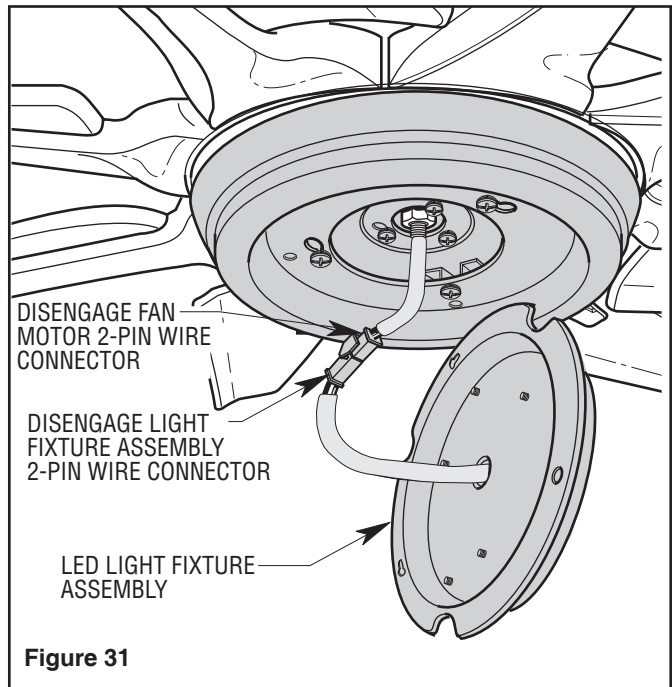


Figure 31

7.4

Carefully tuck the Fan Motor 2-Pin Wire Connector up close into the Lower Housing (Figure 32).

Place the No-Light Cover onto the Lower Housing aligning the three flat areas on the top flange of the No-Light Cover with the three dimples on the inside of the Lower Housing (Figure 32).

Then turn the No-Light Cover clockwise until it stops turning.

Your No-Light Cover is now installed.

⚠ WARNING

To avoid possible fire or shock, make sure that the electrical connector are completely tucked inside the lower housing and not pinched by the no-light cover.

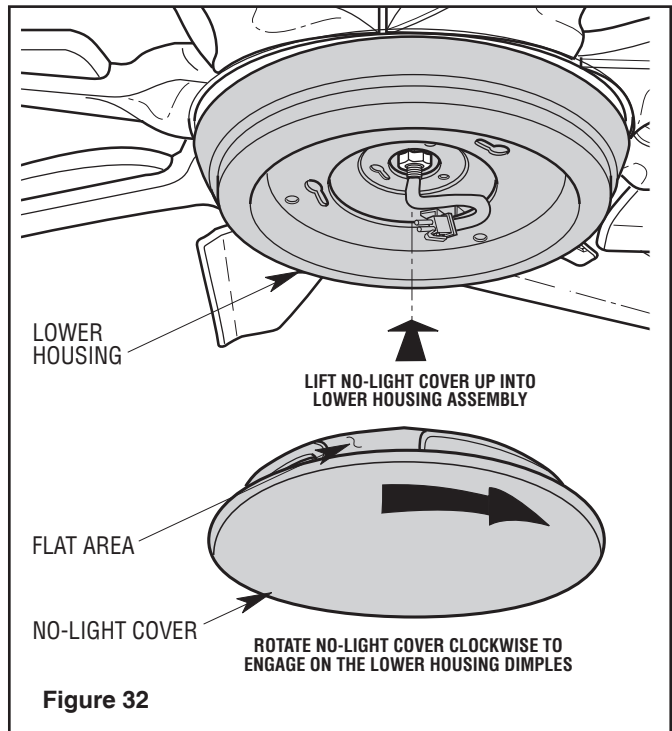


Figure 32

8. Wall Control Procedures

8.1

Your Ceiling Fan/Light Control consists of Wall Mounted Transmitter and a Receiver located inside the Motor Assembly. The Control is designed to remotely operate your Ceiling Fan speed, light intensity and direction of rotation.

Code Switches in the Transmitter may be set in 32 different positions. If your Fan and Light turn ON and OFF without using your Control, you may be getting interference from other remote units such as garage door openers, car alarms or security systems. To remedy this situations, simply change the Code Switches in your Transmitter per the instructions of Section 8.2.

8.2

Your Wall Control has Code Switches which must be set in one of 32 possible code combinations (Figure 33). The five Levers (numbered 1, 2, 3, 4, and 5) on the Switches are factory-set in the ON (up) position. Change the Switch settings as follows:

NOTE: Do not duplicate the code of an existing Control of an installed Ceiling Fan within 100 feet.

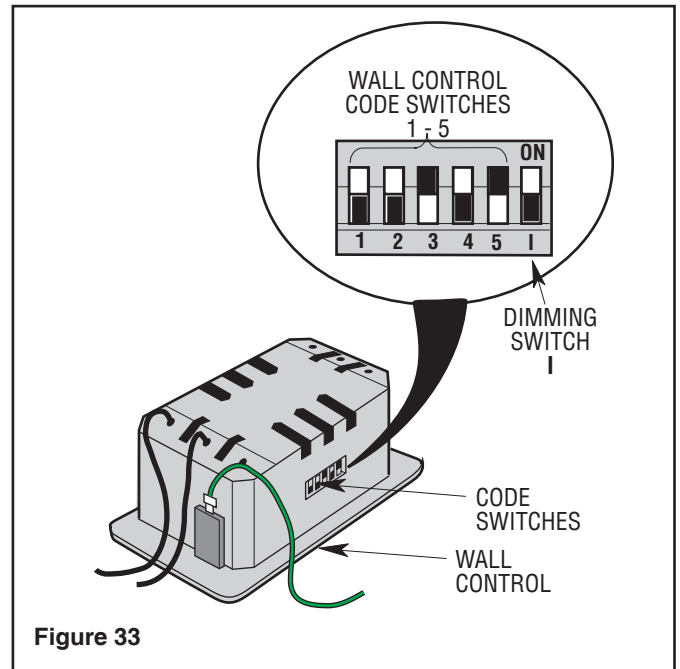
Slide the five Switch Levers in the Wall Control to your choice of ON (up) or down positions. Use a ball-point pen or small screwdriver and slide the Levers firmly up or down.

The sixth Switch marked **ON** and **I** is for dimming Control of Lights: Set Switch to **ON** to allow for dimming of the lights. Set Switch to **I** for no dimming of the Lights.

When the power is restored after installation, push and hold the Fan OFF Button (⏻) for 3 to 5 seconds to set the code in the Receiver.

When the Switch is turned back ON, the Light and Fan will resume operation as they were prior to the Switch being turned OFF.

Preset Memory Feature: Your Ceiling Fan/Light Control is equipped with a preset memory feature. When the electricity supply to the Fan is switched OFF, the Control will remember the Light Intensity and Fan Speed.



9. Wall Control Installation

⚠ WARNING

Turning off wall switch is not sufficient. To avoid possible electrical shock, be sure electricity is turned off at the main fuse or circuit breaker box before wiring. All wiring must be in accordance with National and Local codes and the ceiling fan must be properly grounded as a precaution against possible electrical shock.

⚠ CAUTION

To reduce the risk of electrical shock, disconnect the electrical supply circuit before installing the fan, light kit or receiver.

NOTE: Make all wiring connections using Wire Connectors (supplied). Make sure that all connections are tight, including ground, and that no bare wire is visible at the wire connectors, except for the ground wire.

9.1

Disconnect Electrical Power to the Branch Circuit at the Circuit Breaker or Fuse Box before attempting to install the Ceiling Fan Wall Control into the Wall Box.

9.2

NOTE: Electric connections should be in accordance with the National Electrical Codes and all Local Codes. Before starting, disconnect power to the circuit at the fuse box or circuit breaker panel.

Remove the Faceplate and Screws from the Existing Wall Switch. Pull Switch out from Wall Box.

Determine the "HOT" Wire and the "LOAD" Wire and disconnect these Wires from existing Control (Figure 34).

NOTE: Do not attempt to disconnect any Wires not already connected to Existing Control.

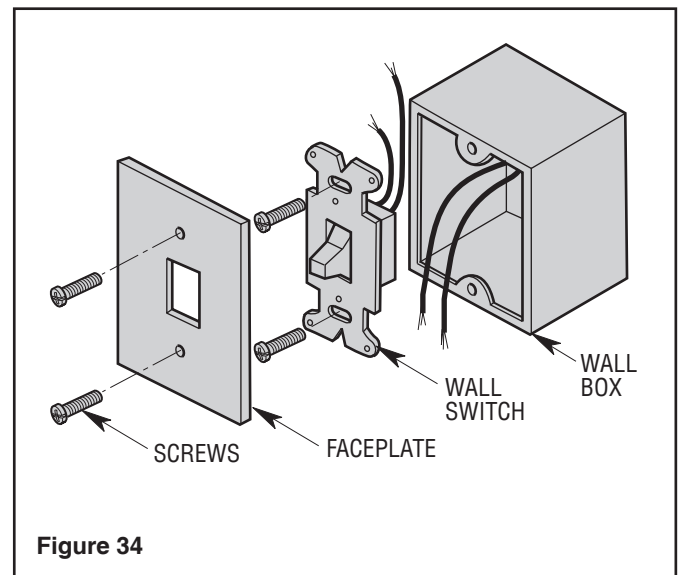


Figure 34

9. Wall Control Installation (Continued)

Skip to Section 9.4 if Using a 3-way Switch Installation.

SINGLE-POLE INSTALLATION



(One Fan Controlled by One Wall Control)
(See Figure 35).

WARNING

Turning off wall switch is not sufficient. To avoid possible electrical shock, be sure electricity is turned off at the main fuse or circuit breaker box before wiring. All wiring must be in accordance with National and Local codes and the ceiling fan must be properly grounded as a precaution against possible electrical shock.

9.3

Disconnect Electrical Power to the Branch Circuit at the Circuit Breaker or Fuse Box before attempting to install the Ceiling Fan Wall Control into the Wall Box.

Before installing Wall Control, place Wall Control in "OFF" mode by pushing "ON/OFF" Switch () to the "OFF" () position.

WARNING

Do not connect any neutral (white) wire to this control. Incorrect wiring will damage this control.

Connect the Wall Control Black Wire labeled "TO POWER SUPPLY" to the "HOT" 120V AC Supply Source Wire. Securely connect Wires with Wire Connector, supplied (Figure 35).

Connect the Wall Control Black Wire labeled "TO FAN" to the "LOAD" Black Wire in Wall Box. Securely connect Wires with Wire Connector, supplied (Figure 35).

Connect the Wall Control Green Ground Wire to the Supply Ground Conductor (this may be a Bare Copper Wire or Wire with Green Colored Insulation). Securely connect Wires with Wire Connector, supplied (Figure 35).

WARNING

Check to see that all connections are tight and that no bare wires are visible at the wire connectors.

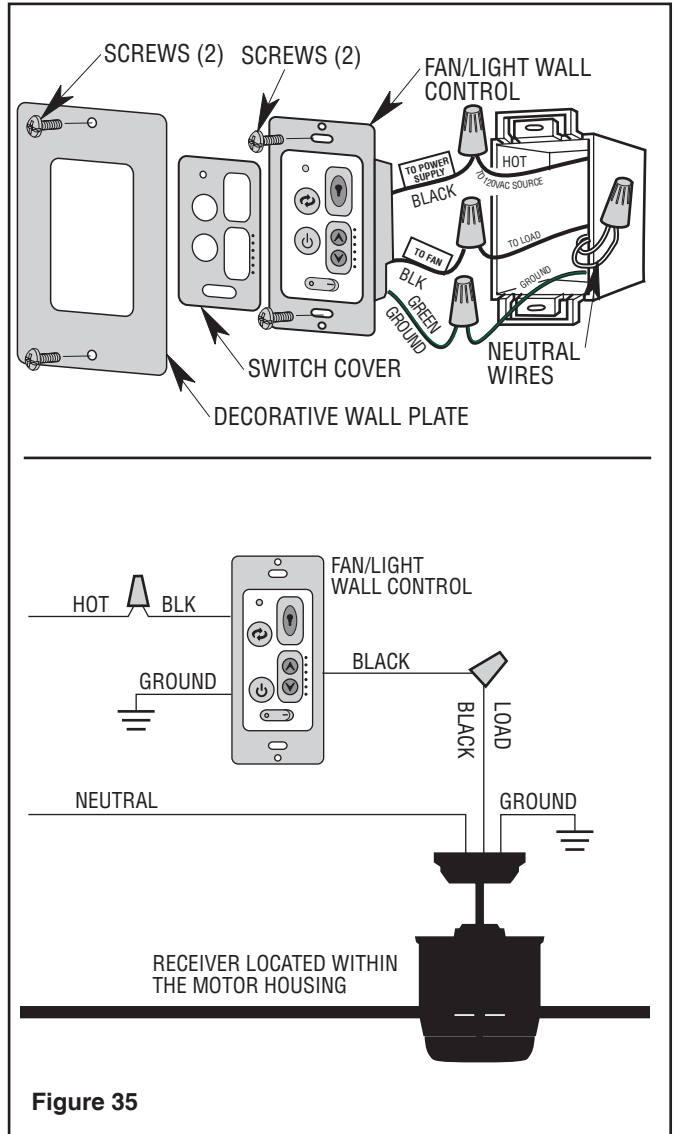


Figure 35

Screw Wall Control into Wall Box using the supplied Screws. Leave Wall Control in "OFF" mode until Fan installation is completed.

The Wall Control is supplied with a White, Ivory, and Almond color Switch Covers. Choose the finish that best suits your needs and snap the Cover onto the Wall Control (Figure 35).

Install Decorative Wall Plate using the two Screws supplied with Wall Plate. Leave the Wall Control in "OFF" mode until Fan installation is completed (Figure 35).

9. Wall Control Installation (Continued)

3-WAY INSTALLATION

(One Fan Controlled by Two Different Wall Controls)
(See Figures 36 and 37).

⚠ WARNING

Turning off wall switch is not sufficient. To avoid possible electrical shock, be sure electricity is turned off at the main fuse or circuit breaker box before wiring. All wiring must be in accordance with National and Local codes and the ceiling fan must be properly grounded as a precaution against possible electrical shock.

⚠ WARNING

Do not connect any neutral (white) wire to this control. Incorrect wiring will damage this control.



9.4

Disconnect Electrical Power to the Branch Circuit at the Circuit Breaker or Fuse Box before attempting to install the Ceiling Fan Wall Control into the Wall Box.

At all Wall Box locations, remove Faceplates and Screws from Existing Controls. Pull Controls out from Wall Boxes and determine which Wall Box contains the "HOT" Wire and which Wall Box contains the "LOAD" Wire. Also, identify Traveler Wires which are common to both Wall Boxes. Disconnect Wires from Existing Controls only.

NOTE: Do not attempt to disconnect any wires not already connected to existing Control.

NOTE: Make all wiring connections using wire connectors (supplied). Make sure that all connections are tight, including ground, and that no bare wire is visible at the wire connectors, except for the ground wire.

Before installing the First Wall Control, place the Wall Control in "OFF" mode by pushing "ON/OFF" Switch () to the "OFF" () position.

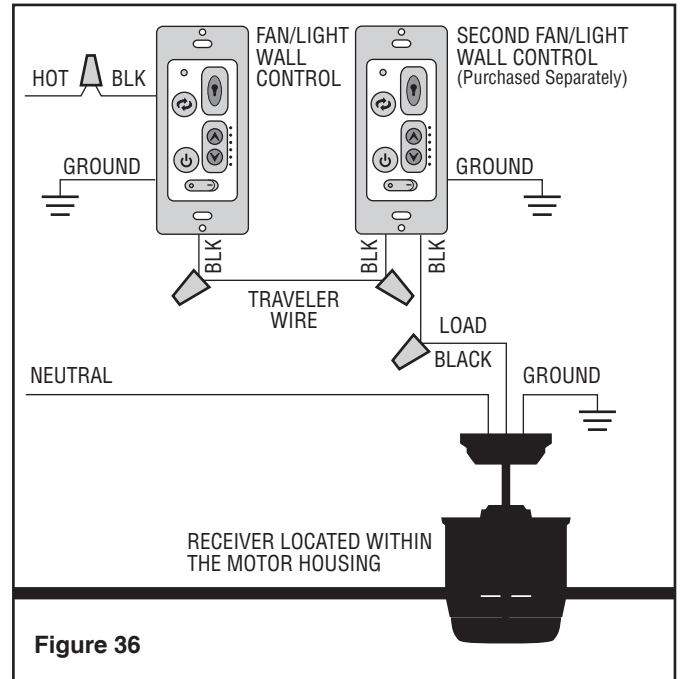


Figure 36

Install the First Wall Control in the Wall Box containing the "HOT" Wire.

Connect the First Wall Control Black Wire labeled "TO POWER SUPPLY" to the "HOT" 120V AC Supply Source Wire. Securely connect the Wires with Wire Connector, supplied (Figure 36).

Connect the First Wall Control Black Wire labeled "TO FAN" to both Traveler Wire(s) in the Wall Box and secure with Wire Connector, supplied (Figure 36).

Connect the First Wall Control Green Ground Wire to the Supply Ground Conductor (this may be a bare wire or wire with Green Colored insulation). Securely connect Wires with Wire Connector, supplied (Figure 36).


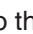
⚠ WARNING

Check to see that all connections are tight and that no bare wires are visible at the wire connectors.

9. Wall Control Installation (Continued)

9.5

Disconnect Electrical Power to the Branch Circuit at the Circuit Breaker or Fuse Box before attempting to install the Ceiling Fan Wall Control into the Wall Box.

Before installing the Second Wall Control, place the Wall Control in "OFF" mode by pushing "ON/OFF" Switch () to the "OFF" () position.

Install the Second Wall Control (purchased separately) into the Wall Box containing the "LOAD" Wire.

Connect the Second Wall Control Black Wire labeled "TO POWER SUPPLY" to the Traveler Wire(s) already connected to the Black Wire (in the other wall box). Secure with Wire Connectors, supplied (Figure 37).

Connect Second Wall Control Black Wire labeled "TO FAN" to the "LOAD" (Black) Wire and secure with Wire Connector, supplied (Figure 37).

Connect the Second Wall Control Green Ground Wire to the Supply Ground Conductor (this may be a bare wire or wire with Green Colored insulation). Securely connect Wires with Wire Connector, supplied (Figure 37).

Screw the Second Wall Control onto the Wall Box using the supplied Screws. Leave the Wall Control in "OFF" mode until Fan installation is completed.

NOTE: Retrofit 3-way installations are likely to include two traveler wires between the two wall boxes. In new construction, only one traveler wire is required (Figure 37).

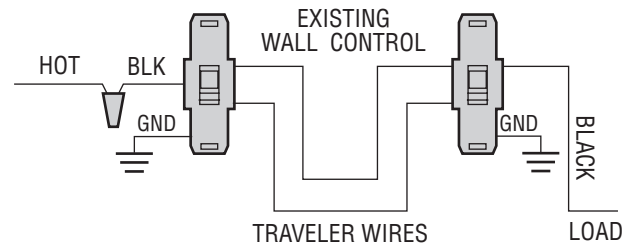
WARNING

Check to see that all connections are tight and that no bare wires are visible at the wire connectors.

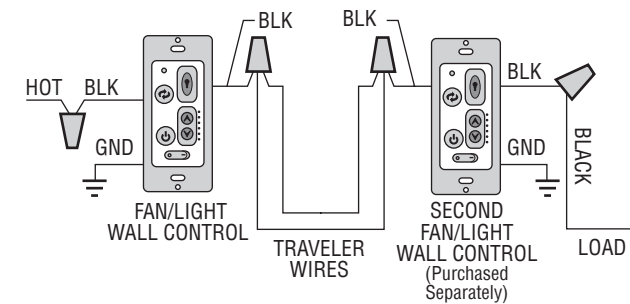
All Wall Controls are supplied with a White, Ivory, and Almond color Switch Covers. Choose the finish that best suits your needs and snap the Covers onto the Wall Controls (Figure 37).

Install Decorative Wall Plates using the two Screws provided with each Wall Plate. Leave the Wall Control in "OFF" mode until Fan installation is completed (Figure 37).

STANDARD WIRING FOR EXISTING 3-WAY CONTROLS



3-WAY WIRING DIAGRAM: RETROFIT



ALL WALL CONTROLS

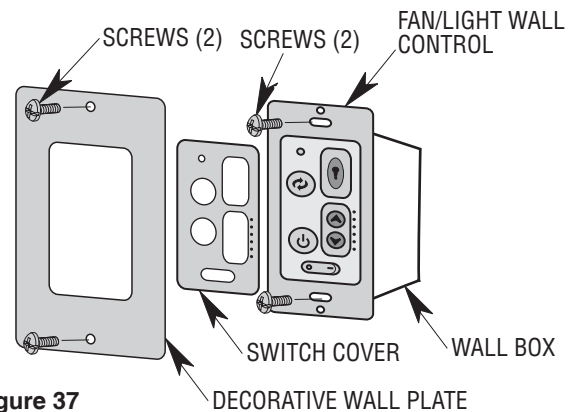


Figure 37

10. Programming the Receiver Operating Frequency & High Speed Conditioning of Fan Control



-- Important - Read This Section Carefully and Follow the High Speed Conditioning Instructions Closely --

PROGRAMMING THE RECEIVER OPERATING FREQUENCY & HIGH SPEED CONDITIONING OF FAN CONTROL

IMPORTANT: Ceiling Fan Blades MUST be installed before High Speed Conditioning can begin.


NOTE: If using a 3-way Switch Installation, ensure that both Wall Controls are using the same Switch Code.

10.1

Flip the Wall Control ON/OFF Switch () to the "OFF" () position.

Restore Electricity to the Ceiling Fan Branch Circuit at the Circuit Breaker or Fuse Box.

Flip the Wall Control ON/OFF Switch to "ON" () position.

Within one minute of flipping the Switch to "ON", push and hold the FAN POWER OFF Button () for 3 to 5 seconds to set the Code in the Receiver. The Ceiling Fan Lights (if installed) will blink to indicate the Wall Control Code has been paired with the Receiver.

IMPORTANT: Immediately after successful pairing, the Ceiling Fan will automatically begin High Speed Conditioning of the Motor. During conditioning, the Electronic Motor Control Software is calculating Speeds for the 2nd through 5th Speed settings based on the Blades that were installed on the Fan.

10.2

The Fan will run for approximately 2 minutes in the Upward Direction then Reverse Direction to down flow and run an additional 2 minutes. When Conditioning is complete, the Fan will come to complete stop.

IMPORTANT: Do not interrupt the Conditioning until the Fan comes to a complete stop in approximately 5 minutes. All functions of the Control will be rejected during Conditioning.

10.3

High Speed Conditioning is now complete.

10.4

If programming is unsuccessful, retry the above instructions after cycling the Wall Control ON/OFF Switch to restart the 1 minute programming time period.

10.5

If still unsuccessful, shut off the Electricity at the Fuse Box or Breaker Panel and change the Wall Control Frequency (Section 8.2, Page 19). After changing the Frequency Settings, repeat instructions 10.1 - 10.5 of this section within one minute of restoring the Electricity.



11. Using Your Ceiling Fan

⚠ WARNING

Fan installation must be completed, including the installation of the fan blades, before testing the remote control.


Your Wall Control has full control of your Fan and Light (Figure 38).


11.1

Flip the Wall Control ON/OFF Switch () to the "OFF" () position. Power will be turned OFF to the Fan and Light.

Flip the Wall Control ON/OFF Switch to "ON" () position. Power will be restored to the Fan and Light.



NOTE: When the switch is turned back ON the light and fan will resume operation as they were prior to the switch being turned OFF.


To turn Ceiling Fan OFF: Press and release the FAN POWER OFF () Button.


To turn the Fan ON and to Increase the Fan Speed: Press the () Button once for each of the 6 Speeds.

To turn the Fan ON and to Decrease the Fan Speed: Press the () Button once for each of the 6 Speeds.

The LED Display will light up to indicate the New Speed selected.

NOTE: If the fan is OFF, the first time the () or () button is pressed, it will turn the fan ON at the speed previously selected.

To turn the Light ON/OFF: Press and release the () Button. The Light will turn ON at the Light Intensity previously selected. To change the Intensity, hold the Button down. The Intensity will go up and down while the Button is held. Release the Button at the desired Intensity.

If Airflow is desired in the opposite direction: Press the () Button on the Wall Control. The Fan must be operating at any Speed for the Reverse Button to function. The Blades will turn in the Opposite Direction and Reverse the Airflow.

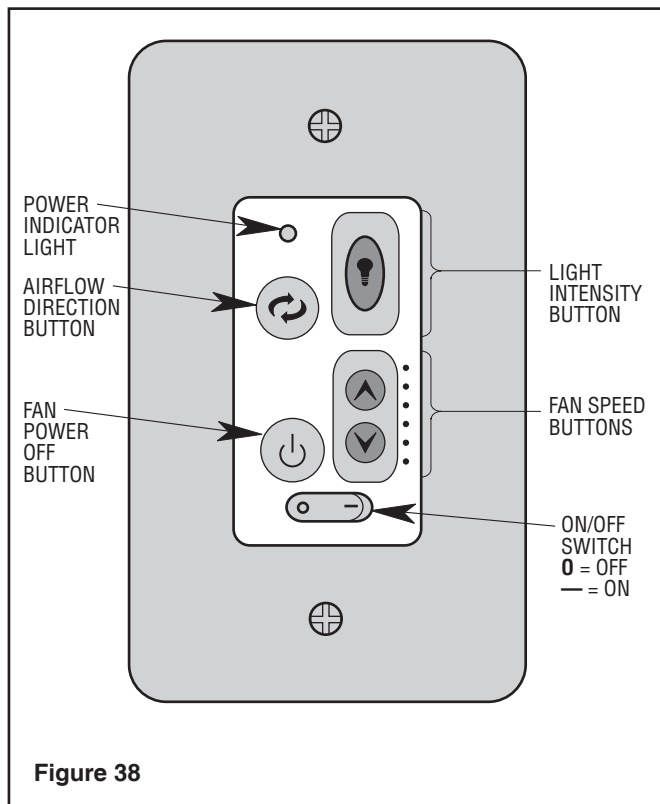


Figure 38

NOTE:

During Summer Months: run the Fan Counter-Clockwise, as you look up at it, to direct airflow downward.

During the Winter Months: run the Fan Clockwise, as you look up at it, to direct airflow upward.

NOTE: For 3-way Installation: BOTH wall controls ON/OFF switch must be in the "ON" position for either control to function. With both wall controls "ON", the fan and light can be operated as described from either wall control.

NOTE: If your fan and light go ON and OFF without using your control, you may be getting interference from other remote units such as garage door openers, car alarms or security systems. To remedy this situations, simply change the transmitter code per 8.2 Section.

12. Maintenance

IMPORTANT CARE INSTRUCTIONS for your Ceiling Fan

Periodic cleaning of your new ceiling fan is the only maintenance that is needed.

When cleaning, use only a soft brush or lint free cloth to avoid scratching the finish.

Abrasive cleaning agents are not required and should be avoided to prevent damage to finish.

WARNING

Do not use water when cleaning your ceiling fan. It could damage the motor or the blades and create the possibility of an electrical shock.

13. Instruction to the User (if device contains a digital device)

This equipment has been tested and found to comply with the limits for a class B digital device, pursuant to part 15 of the FCC Rules. These limits are designed to provide reasonable protection against harmful interference in a residential installation. This equipment generates, uses and can radiate radio frequency energy and if not installed and used in accordance with the instructions, may cause harmful interference to radio communications. However, there is no guarantee that interference will not occur in a particular installation. If this equipment does cause harmful interference to radio or television reception, which can be determined by turning the equipment off and on, the user is encouraged to try to correct the interference by one or more of the following measures:

- Reorient or relocate the receiving antenna.
- Increase the separation between the equipment and receiver.
- Connect the equipment into an outlet on a circuit different from that to which the receiver is connected.
- Consult the dealer or an experienced radio/TV technician for help.



This equipment has been certified to comply with the limits for a class B computing device, pursuant to FCC Rules. In order to maintain compliance with FCC regulations, shielded cables must be used with this equipment. Operation with non-approved equipment or unshielded cables is likely to result in interference to radio and TV reception. The user is cautioned that changes and modifications made to the equipment without the approval of manufacturer could void the user's authority to operate this equipment.

This Class B digital apparatus meets all requirements of the
Canadian Interference-Causing Equipment Regulations.

14. Troubleshooting

WARNING

FOR YOUR OWN SAFETY TURN OFF POWER AT FUSE BOX OR CIRCUIT BREAKER BEFORE TROUBLESHOOTING YOUR FAN.

TROUBLE	PROBABLE CAUSE	SUGGESTED REMEDY
1. Fan will not start.	<ol style="list-style-type: none"> 1. Fuse or circuit breaker blown. 2. Loose power line connections to the fan, or loose switch wire connections in the switch housing. 3. Reversing switch in neutral position. 	<ol style="list-style-type: none"> 1. Check main and branch circuit fuses or circuit breakers. <div style="border: 1px solid black; padding: 5px; text-align: center;"> <p> WARNING</p> <p>Make sure main power is turned OFF.</p> </div> <ol style="list-style-type: none"> 2. Check line wire connections to fan and switch wire connections in the switch housing. 3. Make sure reversing switch position is all the way to one side.
2. Fan sounds noisy.	<ol style="list-style-type: none"> 1. Blades not attached to fan. 2. Screws securing fan blade flanges to motor hub are loose. 3. Wire connectors inside switch housing rattling. 4. Motor noise caused by solid-state variable speed control. 5. Screws holding blades to flanges are loose. 	<ol style="list-style-type: none"> 1. Attach blades to fan before operating. 2. Check to make sure the screws which attach the the fan flanges to the motor hub are tight. <div style="border: 1px solid black; padding: 5px; text-align: center;"> <p> WARNING</p> <p>Make sure main power is turned OFF.</p> </div> <ol style="list-style-type: none"> 3. Check to make sure wire connectors in switch housing are not rattling against each other or against the interior wall of the switch housing. 4. Some fan motors are sensitive to signals from solid-state variable speed controls. If solid-state control is used and motor noise results, choose an alternative control method. 5. Tighten screws securely.
3. Fan wobbles excessively.	<ol style="list-style-type: none"> 1. Set screws in motor coupler are loose. 2. Set screw in hanger ball/downrod assembly is loose. 3. Screws securing fan blade flanges to motor are loose. 4. Fan blade flanges not seated properly. 5. Hanger bracket and/or ceiling outlet box is not securely fastened. 6. Fan blades out of balance. 	<ol style="list-style-type: none"> 1. Tighten both set screws securely in the motor coupler. 2. Tighten the set screw in the hanger ball/downrod assembly. 3. Check to be sure screws which attach the fan blade flanges to the motor are tight. 4. Check to be sure the fan blade flanges seat firmly and uniformly to the surface of the motor. 5. Tighten the hanger bracket screws to the outlet box, and/or secure outlet box. 6. Interchanging an adjacent (side-by-side) blade pair can redistribute the weight and result in smoother operation.
4. LED will not illuminate.	<ol style="list-style-type: none"> 1. Loose electrical connections. 	<ol style="list-style-type: none"> 1. Shut off the branch circuit electricity at the fuse box or breaker panel and check the LED light fixture assembly electrical connectors for proper installation.

Parrot  Uncle