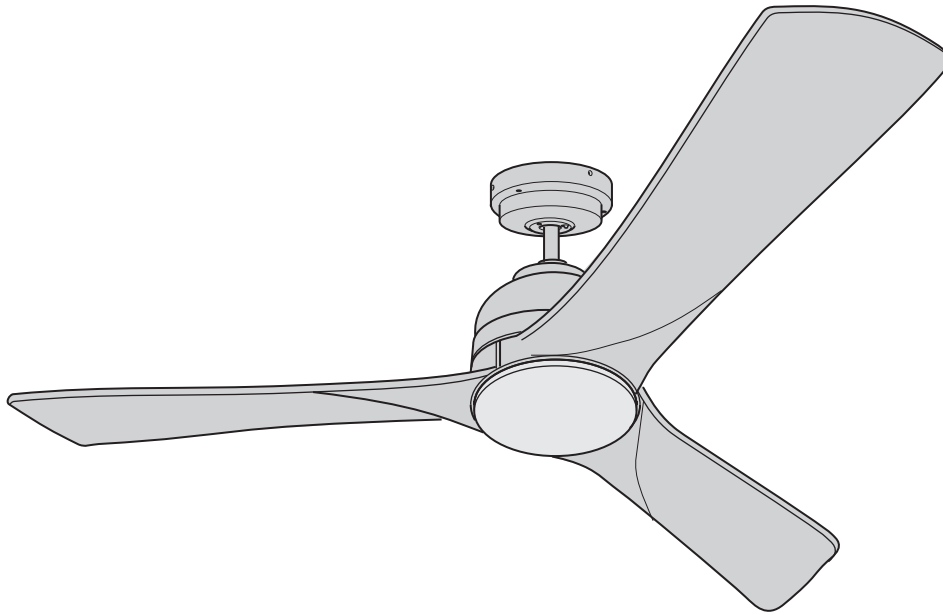




CEILING FAN



**54" Ceiling Fan Owner's Manual**  
**BBCF590**

**USE AND CARE GUIDE**

---

A decorative graphic element consisting of a horizontal line and a vertical line that intersect at the bottom right corner of the page, forming a crosshair shape.

# Table of Contents

Section	Page	Section	Page
Safety Instructions	2	8. Final Assembly	18
1. Unpacking Instructions	3-4	9. Reverse Switch Operation	19
2. Electrical Requirements	4	10. Remote Control Procedures	19-20
3. Ceiling Fan Assembly	5-8	11. Remote Control Operation	20-21
4. How to Hang Your Ceiling Fan	9-10	12. Light Kit LED Array Assembly Replacement	22-23
5. Light Kit Assembly	11-12	13. Light Kit LED Driver Replacement	23-28
6. Optional Installation of No-Light Plate Assembly	13-14	14. Maintenance	29
7. How to Wire Your Ceiling Fan	15-18	15. Troubleshooting	29

## READ AND SAVE THESE INSTRUCTIONS

### Safety Instructions

#### WARNING

TO REDUCE THE RISK OF FIRE, ELECTRICAL SHOCK, OR INJURY TO PERSONS, OBSERVE THE FOLLOWING:

- Use this unit only in a manner intended by the manufacturer. If you have questions, contact the manufacturer.
- Before servicing or cleaning unit, switch power off at service panel and lock service panel disconnecting means to prevent power from being switched on accidentally. When the service disconnecting means cannot be locked, securely fasten a warning device, such as a tag, to the service panel.

- Read your owner's manual carefully and keep it for future reference.
- Be careful of the fan and blades when cleaning, painting, or working near the fan. Always turn off the power to the ceiling fan before servicing.
- Do not put anything into the fan blades while they are turning.
- Do not operate reversing switch until fan blades have come to a complete stop.

#### Additional Safety Instructions for Installation

- To avoid possible shock, be sure electricity is turned off at the fuse box before wiring, and do not operate fan without blades.
- All wiring must be in accordance with the National Electrical Code "ANSI/NFPA 70-2017" and Local Electrical Codes. Use the National Electrical Code if Local Codes do not exist. The ceiling fan must be grounded as a precaution against possible electrical shock. Electrical installation should be made or approved by a licensed electrician.

- The outlet box and joist must be securely mounted and capable of reliably supporting at least 50 pounds. Use only U.L. outlet boxes listed as "Acceptable for Fan Support of 22.7 kg. (50 lbs.) or less", and use the mounting screws provided with the outlet box. Most outlet boxes commonly used for support of light fixtures are not acceptable for fan support and may need to be replaced. Consult a qualified electrician if in doubt.
- The downrod furnished with the fan provides the minimum recommended floor to fan blade clearance for an 8 foot ceiling.

#### CAUTION

To reduce the risk of injury, install the fan so that the blades are at least 7 ft. (2.1m) above the floor.

- Follow the recommended instructions for the proper method of wiring your ceiling fan. If you do not know enough about electrical wiring, have your fan installed by a licensed electrician.

NOTE: This fan is suitable for use with solid-state speed controls.

NOTE: All set screws must be checked and re-tightened where necessary before installation.

#### WARNING

To reduce the risk of electrical shock, this fan must be installed with an isolating wall control/switch.

To reduce the risk of fire or electrical shock, this fan should only be used with fan speed control, Model No. 7067A, manufactured by Rhine Electric Co., Ltd.

This product is designed to use only those parts supplied with this product and/or any accessories designated specifically for use with this product.

To reduce the risk of personal injury, do not bend the blade flange when installing the blade flanges, balancing the blades or cleaning the fan. Do not insert foreign objects in between rotating fan blades.

# 1. Unpacking Instructions

## ⚠ WARNING

Do not install or use fan if any part is damaged or missing.

## ⚠ WARNING

This product is designed to use only those parts supplied with this product and/or any accessories designated specifically for use with this product By Parrot Uncle.

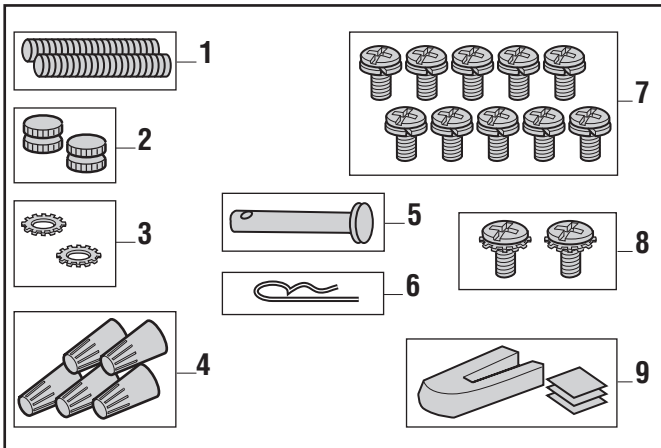
### 1.1

Open carton containing fan. Remove top half of styrofoam unit. Remove parts and check to see that you have received the following parts:

**NOTE: If you are uncertain of part description, refer to exploded view illustration.**

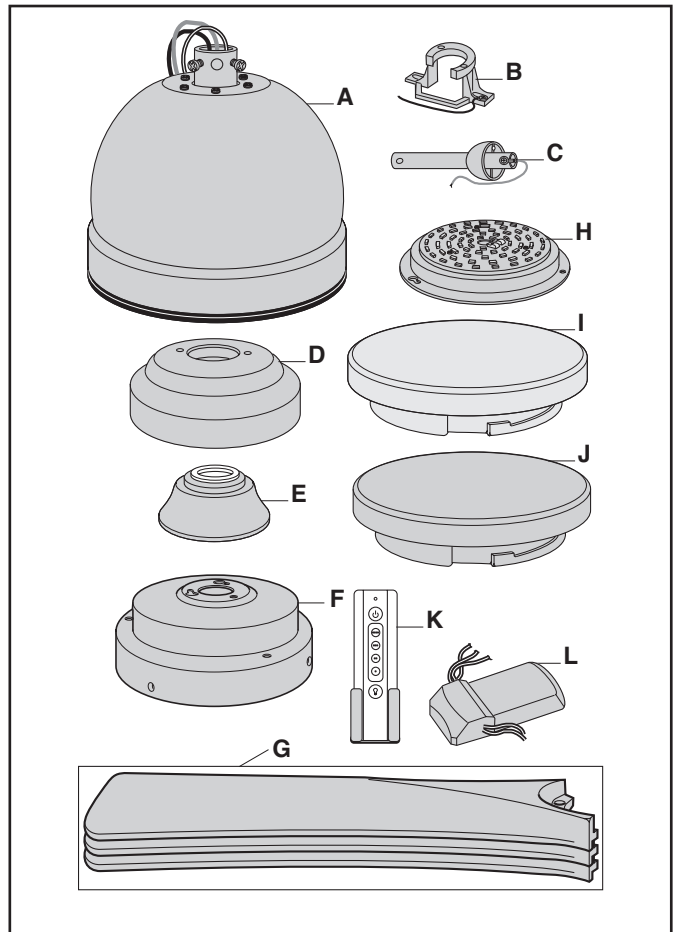
### HARDWARE CONTENTS

Part	Description	Quantity
1	Threaded Studs, #8-32 x 1-1/4"	2
2	Knurled Knobs, #8-32	2
3	Lockwashers, External Tooth, #8	2
4	Wire Connectors	5
5	Clevis Pin	1
6	Hairpin Clip	1
7	Pan Head Screws w/Lockwashers, 1/4-20 x 9/16"	10
8	Truss Head Screws w/Lockwashers, 6-32 x 3/8" (Spares)	2
9	Blade Balance Kit	1



### PACKAGE CONTENTS

Part	Description	Quantity
A	Fan Motor Assembly	1
B	Hanger Bracket	1
C	Hanger Ball/4.5" Downrod	1
D	Ceiling Cover	1
E	Motor Coupler Cover	1
F	Light Kit Adapter	1
G	Fan Blade Assemblies	3
H	LED Light Kit Assembly	1
I	Acrylic Shade	1
J	No-Light Plate	1
K	Remote Control, SR401	1
L	Receiver	1



# 1. Unpacking Instructions (Continued)

**This Manual Is Designed to Make it as Easy as Possible for You to Assemble, Install, Operate and Maintain Your Ceiling Fan**

**THIS FAN IS SUITABLE FOR WET LOCATIONS SUCH AS PORCHES, PATIOS, AND DECKS.**

## Tools Needed for Assembly

One Phillips Head Screwdriver      One Stepladder  
One 1/4" Blade Screwdriver      One Wire Stripper

## Materials

Wiring outlet box and box connectors must be of type required by the local code. The minimum wire would be a 3-conductor (2-wire with ground) of following size:

<u>Installed Wire Length</u>	<u>Wire Size A.W.G.</u>
Up to 50 ft.	14
50-100 ft.	12

### **WARNING**

Before assembling your ceiling fan, refer to section on proper method of wiring your fan (page 15). If you feel you do not have enough wiring knowledge or experience, have your fan installed by a licensed electrician.

# 2. Electrical Requirements

Your new Ceiling Fan will require a grounded electrical supply line of 120 Volts AC, 60 Hz, 15 Amp circuit.

The outlet box must be securely anchored and capable of withstanding a load of at least 50 pounds.

### **WARNING**

To reduce the risk of fire, electric shock, or personal injury, mount fan to outlet box marked "Acceptable for Fan Support of 22.7kg. (50 lbs.) or less", and use screws supplied with outlet box. Most outlet boxes commonly used for support of light fixtures are not acceptable for fan support and may need to be replaced. Consult a qualified electrician if in doubt.

### **WARNING**

Turning off wall switch is not sufficient. To avoid possible electrical shock, be sure electricity is turned off at the main fuse box before wiring. All wiring must be in accordance with National and Local codes and the ceiling fan must be properly grounded as a precaution against possible electrical shock.

If your fan is to replace an existing ceiling light fixture, turn electricity off at the main fuse box at this time and remove the existing light fixture.

### **WARNING**

To avoid fire or shock, follow all wiring instructions carefully.

Any electrical work not described in these instructions should be done or approved by a licensed electrician.

# 3. Ceiling Fan Assembly

## 3.1

Remove Fan Motor Assembly from styrofoam. Remove cardboard Shipping Spacer and plastic bag.

Place Fan Motor Assembly on styrofoam with the Motor Hub positioned up (Figure 1).

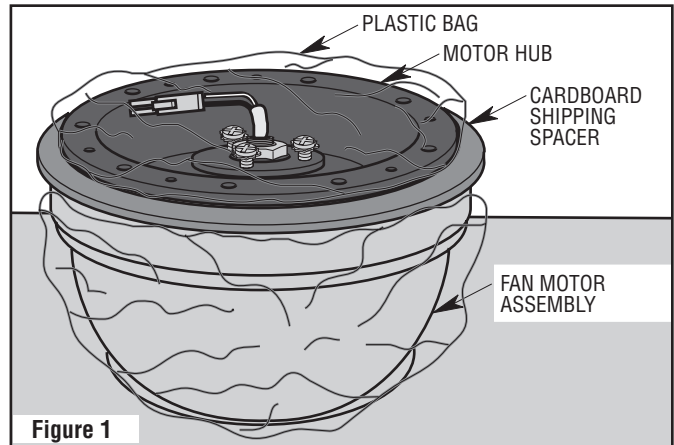


Figure 1

## 3.2

Loosely attach one Ceiling Fan Blade Assembly to the Motor Hub of the Fan Motor Assembly using three 1/4-20 x 9/16" Pan Head Screws with Lockwashers (supplied in the parts bag) (Figure 2).

Repeat this procedure for the other two Blade Assemblies.

Securely tighten the nine 1/4-20 x 9/16" Pan Head Screws with Lockwashers to the Motor Hub at this time.

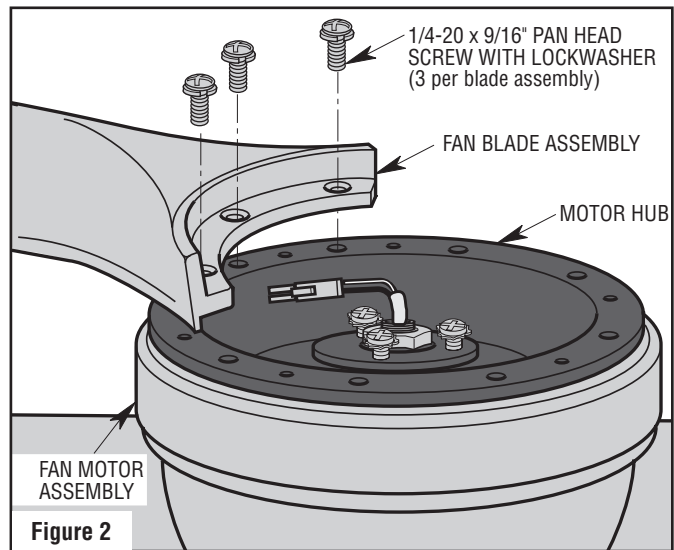


Figure 2

### ⚠ WARNING

To reduce the risk of personal injury, do not bend the blade assemblies when installing, balancing the blades or cleaning the fan. Do not insert foreign objects in between rotating fan blades.

## 3.3

Remove one of the three 6-32 x 3/8" Truss Head Screws with Lockwashers in the Motor Hub of the Fan Motor Assembly and loosen the remaining two 6-32 x 3/8" Truss Head Screws with Lockwashers positioned in the Key Hole Slots (Figure 3). Retain the Screw for future use.

Position the Light Kit Adapter Key Hole Slots onto the two loosened Screws.

Rotate the Light Kit Adapter clockwise to engage the two Screws.

Reinstall the previously removed Screw.

Retighten the three Screws to securely assemble the Light Kit Adapter to the Motor Hub.

Spare 6-32 x 3/8" Truss Head Screws with Lockwasher in the parts bag.

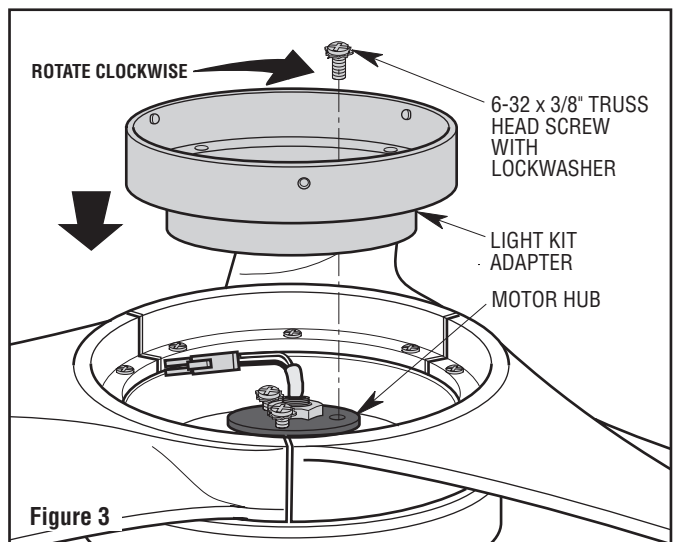


Figure 3

## 3. Ceiling Fan Assembly (Continued)

### 3.4

Carefully turn the partially assembled Ceiling Fan right side up and position the Fan on the styrofoam in preparation for final assembly (Figure 4).

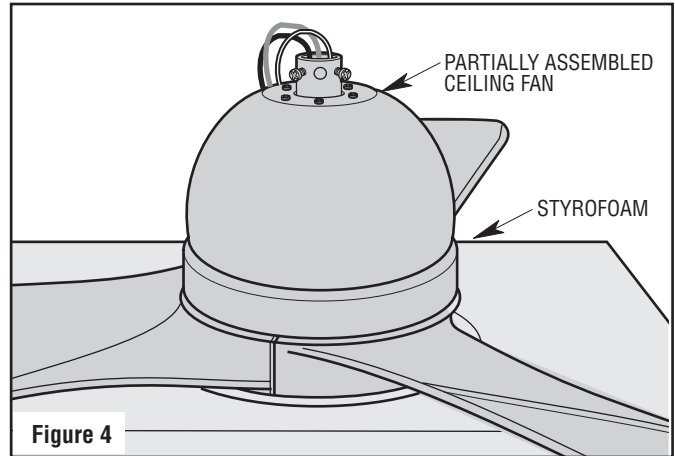


Figure 4

### 3.5

Remove the Hanger Ball by loosening the Phillips Head Set Screw in the Hanger Ball until the Ball falls freely down the 4.5" Downrod (Figure 5).

Remove the Pin from the 4.5" Downrod, then remove the Hanger Ball (Figure 5).

Retain the Pin and Hanger Ball for reinstallation in Step 3.11.

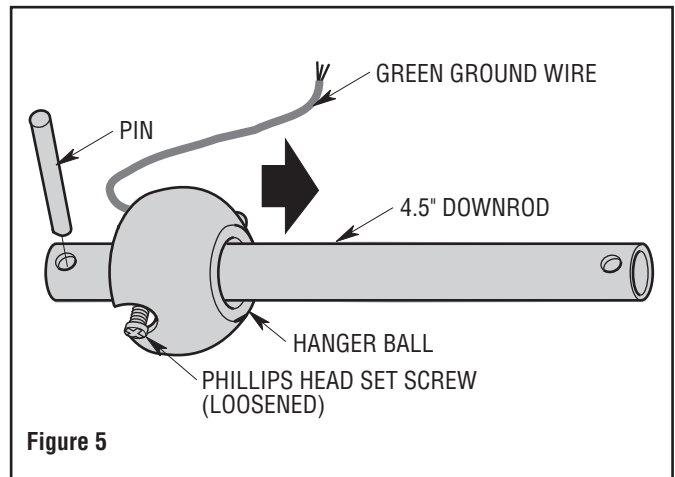


Figure 5

### 3.6

Separate, untwist and unkink the three 80" Motor Wires.

Route the three Motor Wires through the 4.5" Downrod (Figure 6).

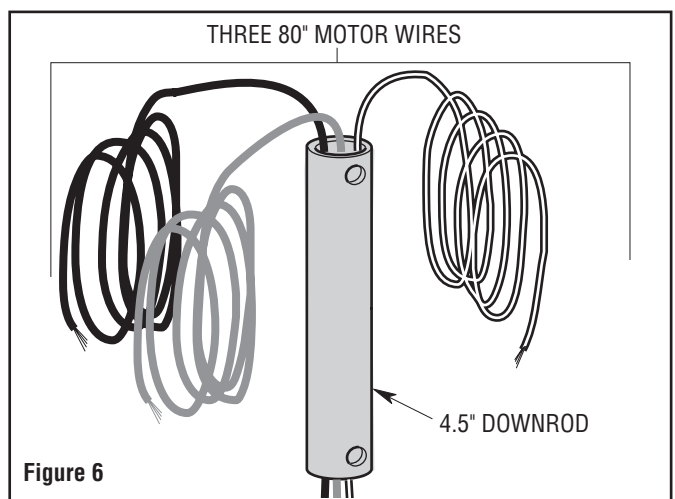


Figure 6

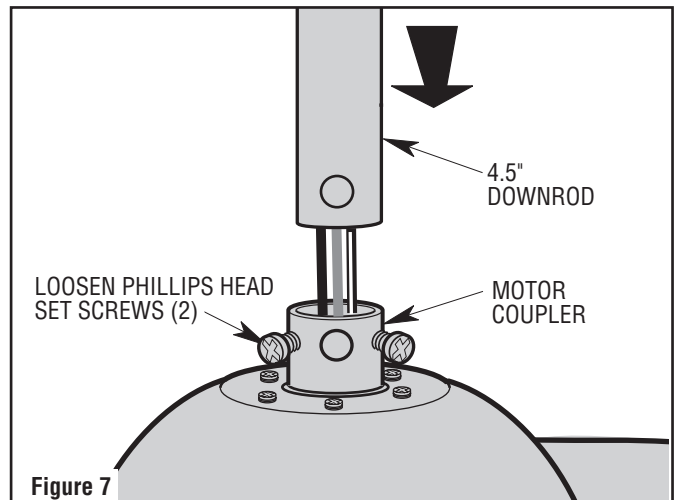
## 3. Ceiling Fan Assembly (Continued)

### 3.7

Loosen the two Set Screws in the Motor Coupler for installation of the Downrod (Figure 7).

Seat the downrod in the Motor Coupler (Figure 7).

Rotate and align the Downrod Holes with all the Holes in the Motor Coupler (Figure 7).



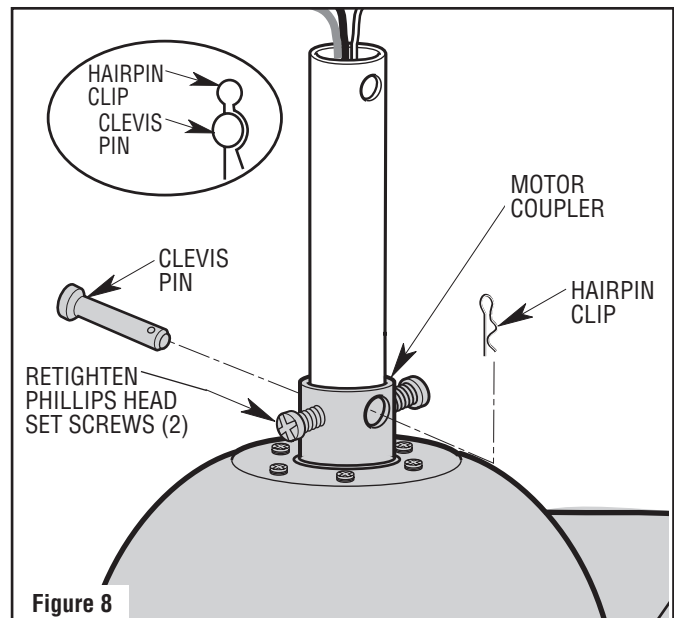
### 3.8

Align the Clevis Pin Holes in the Downrod with the Holes in the Motor Coupler.

Install the Clevis Pin and secure with the Hairpin Clip (Figure 8).

The Clevis Pin must go through the Holes in the Motor Coupler. It is critical that the Clevis Pin in the Motor Coupler is properly installed and securely tightened.

Retighten the Phillips Head Set Screws to secure the Downrod to the Motor (Figure 8).

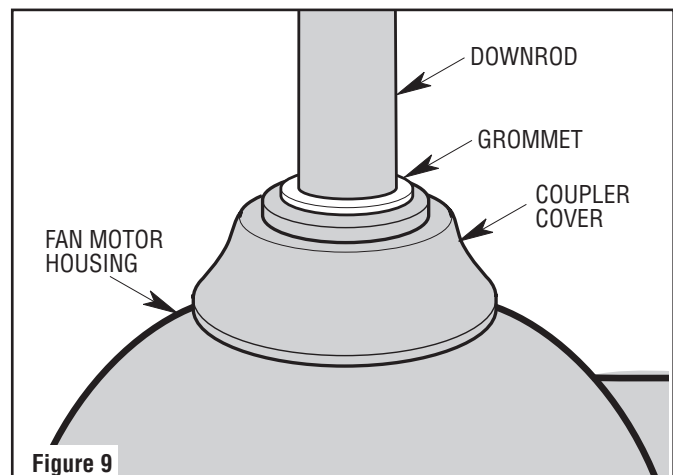


### **⚠ WARNING**

It is critical that the clevis pin and set screws in the motor coupler are properly installed and securely tightened. Failure to verify that the pin and set screws are properly installed could result in the fan falling.

### 3.9

Make sure the Grommet is properly installed in the Coupler Cover, then slide the Coupler Cover on the Downrod until it rests on the Fan Motor Housing (Figure 9).



## 3. Ceiling Fan Assembly (Continued)

### 3.10

Place the Ceiling Cover over the Downrod (Figure 10).

Be sure that the Ceiling Cover and the Coupler Cover are both oriented correctly (Figure 10).

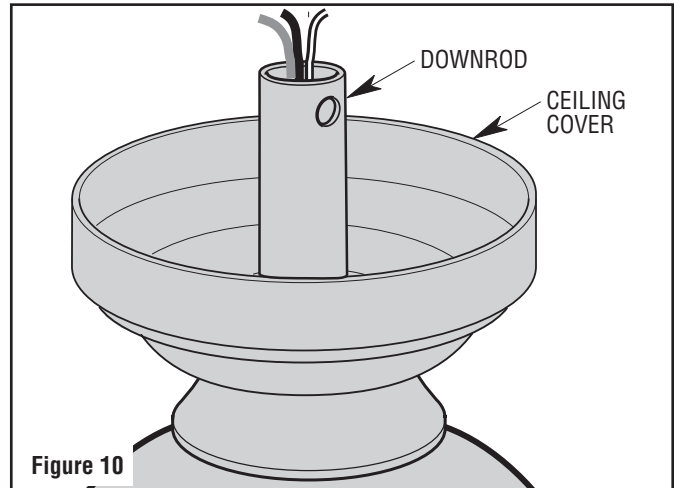


Figure 10

### 3.11

Route the three 80" Motor Wires through the Hanger Ball (Figure 11).

Reinstall the Hanger Ball on the Downrod as follows:

Position the Pin through the two Holes in the Downrod and align the Hanger Ball so the Pin is captured in the Groove in the top of the Hanger Ball (Figure 11).

Pull the Hanger Ball up tight against the Pin and securely tighten the Phillips head Set Screw in the Hanger Ball (Figure 11).

Loose Set Screw could create Fan wobble.

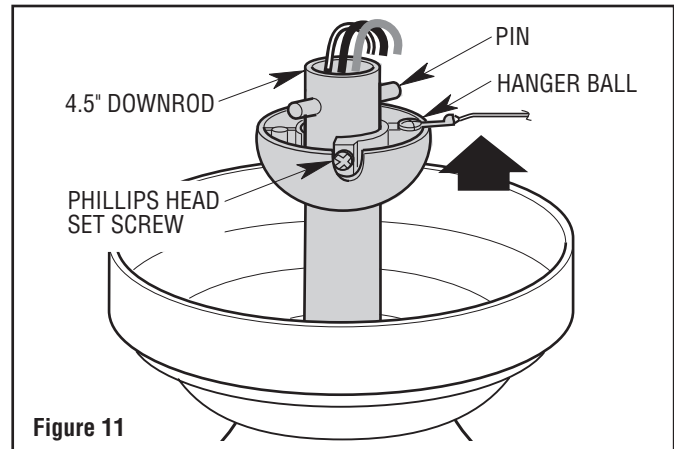


Figure 11

### 3.12

The Fan comes with Black, Blue, and White Wires that are 80-inches long.

Measure up approximately 6 to 9-inches above top of Hanger Ball/4.5" Downrod Assembly (Figure 12).

Cut off excess Wires and strip back insulation 1/2-inch from end of Wires.

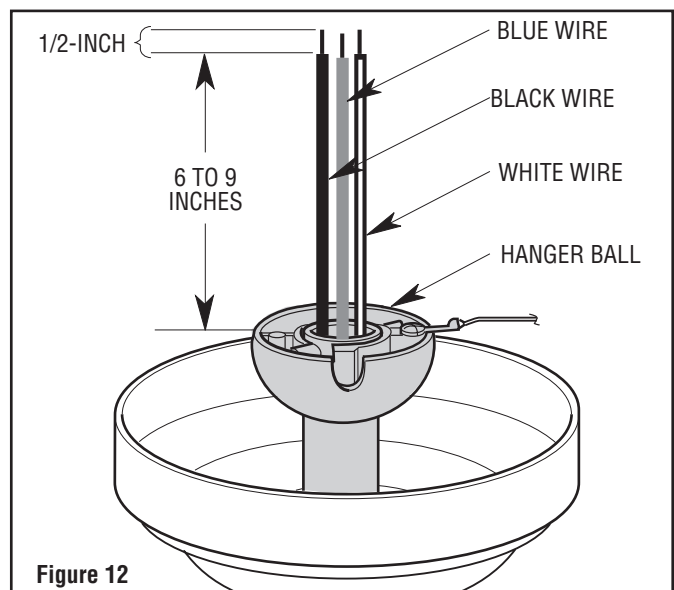


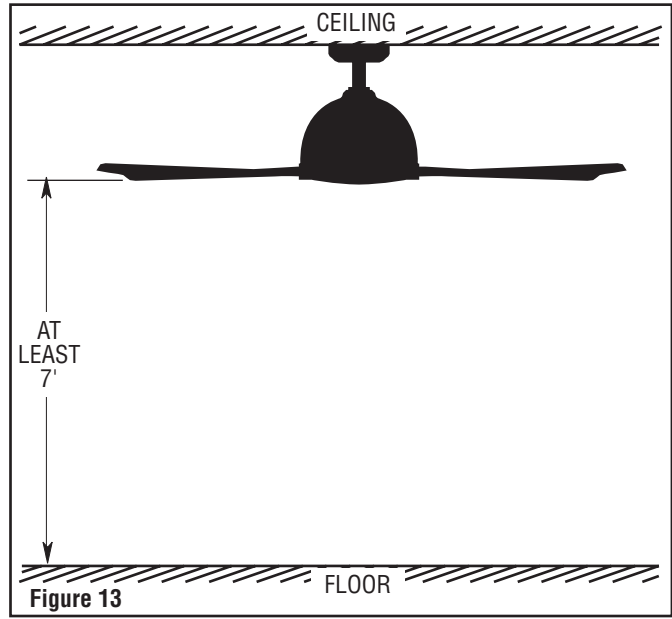
Figure 12



## 4. How to Hang Your Ceiling Fan

### ⚠ CAUTION

To reduce the risk of injury, install the fan so that the blades are at least 7 ft. (2.1m) above the floor (Figure 13).

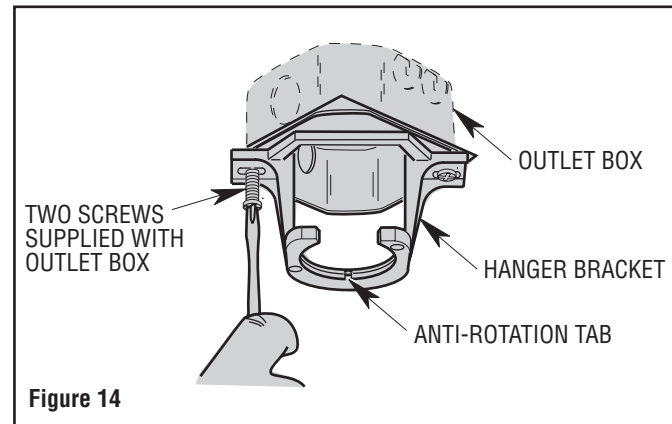


### ⚠ WARNING

The outlet box and joist must be securely mounted and capable of supporting at least 50 lbs. Use only a U.L. outlet box listed as “Acceptable for Fan Support of 22.7 kg. (50 lbs.) or less”.

### ⚠ WARNING

To reduce the risk of fire, electric shock, or personal injury, mount fan to outlet box marked “Acceptable for Fan Support of 22.7 kg. (50 lbs.) or less”, and use screws supplied with outlet box. Most outlet boxes commonly used for support of light fixtures are not acceptable for fan support and may need to be replaced. Consult a qualified electrician if in doubt.



### 4.1

Securely attach the Hanger Bracket to the Outlet Box using the two screws supplied with the Outlet Box. (Figure 14).

### ⚠ WARNING

Hanger bracket must seat firmly against outlet box. If the outlet box is recessed, remove wall board until bracket contacts box. If bracket and/or outlet box are not securely attached, the fan could wobble or fall.

## 4. How to Hang Your Ceiling Fan (Continued)

### 4.2

Carefully lift the partially assembled Ceiling Fan and seat the Hanger Ball/Downrod Assembly on the Hanger Bracket that was just attached to the Outlet Box (Figure 15).

Be sure the Groove in the Ball is engaged with the Anti-Rotation Tab on the Hanger Bracket (Figure 15).

**NOTE: Be very careful not to bend the blade assemblies while hanging the partially assembled ceiling fan.**

#### **⚠ WARNING**

Failure to seat tab in groove could cause damage to electrical wires and possible shock or fire hazard.

#### **⚠ WARNING**

To avoid possible fire or shock, do not pinch wires between the hanger ball/downrod assembly and hanger bracket.

**NOTE: CEILING COVER, SUPPLY WIRES AND FAN WIRES OMITTED FOR CLARITY.**

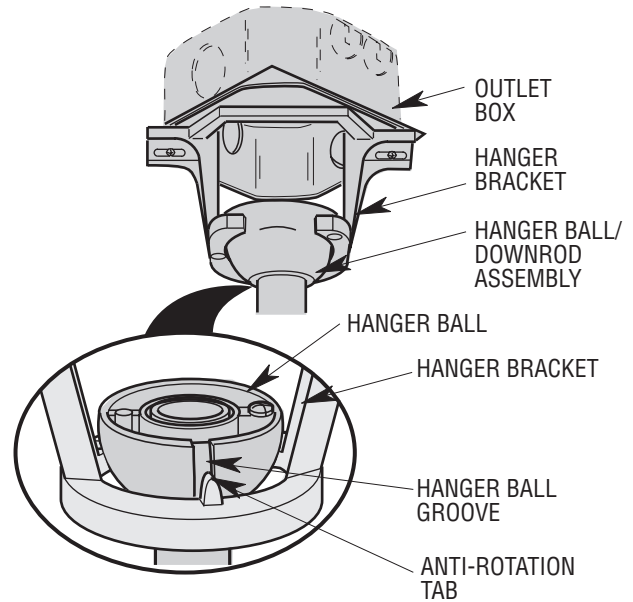


Figure 15

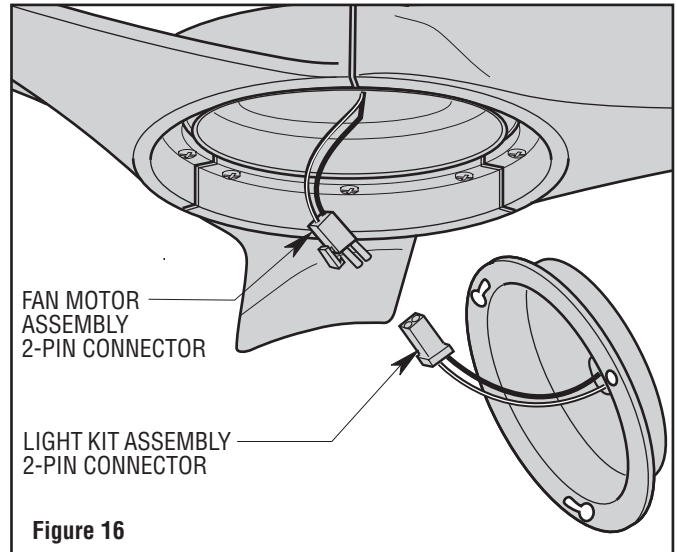
## 5. Light Kit Assembly

**NOTE:** If installing Ceiling Fan without the Light Kit Assembly, Skip to Section 6. Optional Installation of No-Light Plate Assembly, Step 6.4.

### 5.1

Engage the Fan Motor 2-Pin Wire Connector into the 2-Pin Wire Connector of the Light Kit Assembly (Figure 16).

The connection is complete when you hear a soft click.



### 5.2

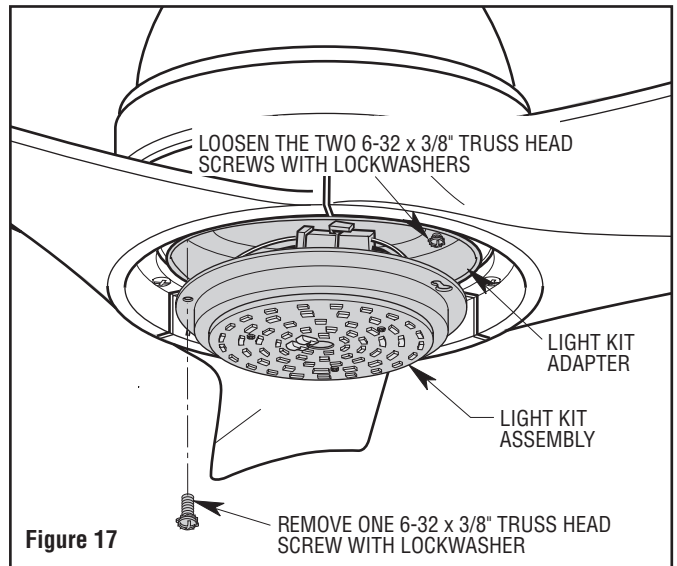
Remove one of the three 6-32 x 3/8" Truss Head Screws with Lockwashers in the Light Kit Adapter and loosen the remaining two Screws (Figure 17). Retain the Screw and Lockwasher for future use.

Carefully tuck all the Wires into the Light Kit Adapter prior to installing the Light Kit Assembly (Figure 17).

Position the Light Kit Assembly Key Hole Slots onto the two loosened 6-32 x 3/8" Pan Head Screws with Lockwashers.

#### **⚠ WARNING**

To avoid possible fire or shock, do not pinch wires between the Light Kit Assembly and the Light Kit Adapter.



## 5. Light Kit Assembly (Continued)

### 5.3

Rotate the Light Kit Assembly clockwise to engage the two 6-32 x 3/8" Truss Head Screws with Lockwashers in the key hole slots.

Reinstall the previously removed 6-32 x 3/8" Truss Head Screw with Lockwasher (Figure 18).

Retighten the three 6-32 x 3/8" Truss Head Screws with Lockwashers to securely assemble the Light Kit Assembly to the Light Kit Adapter.

Spare 6-32 x 3/8" Truss Head Screw with Lockwasher in the parts bag.

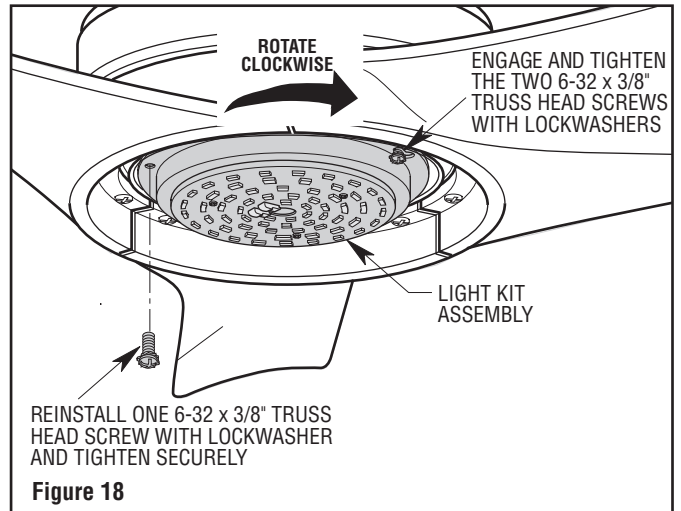


Figure 18

### 5.4

Place the Shade into the opening of the Light Kit Adapter/Light Kit Assembly, aligning the three flat areas on the top edge of the Shade with the three raised dimples on the Light Kit Adapter/Light Kit Assembly and turn the Shade clockwise until it stops (Figure 19).

**NOTE: Periodically check that the Shade is seated fully clockwise in the Light Kit Adapter/ Light Kit Assembly.**

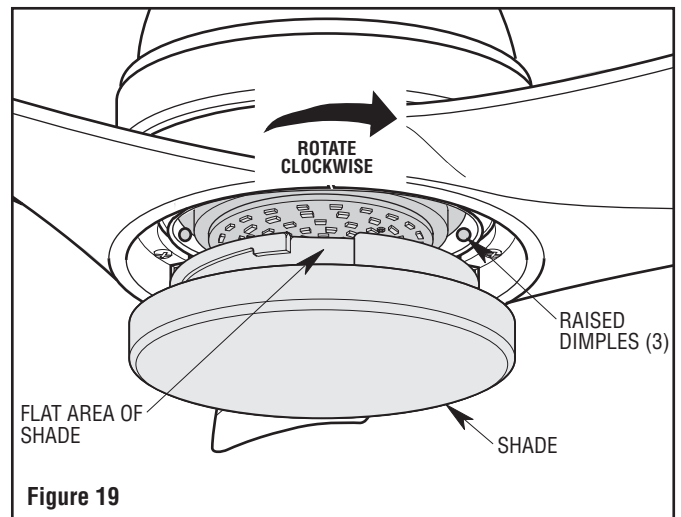


Figure 19

## 6. Optional Installation of No-Light Plate Assembly

**NOTE:** To use the No-Light Plate Assembly, the Light Kit Assembly **MUST NOT** Be Installed, or Light Kit Assembly **MUST** Be Removed.

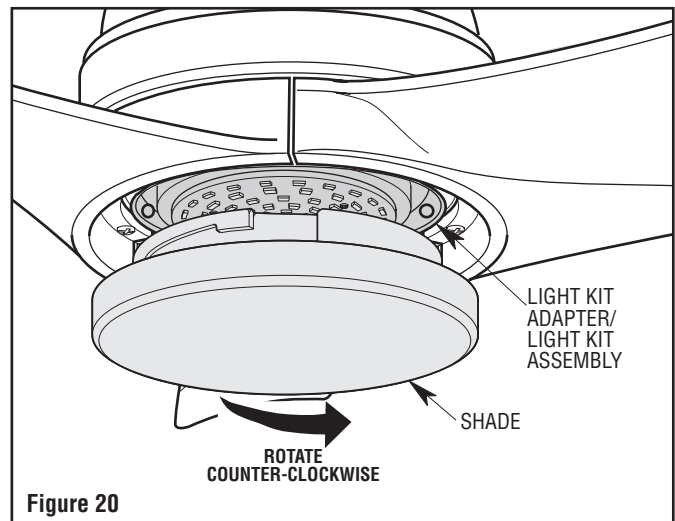
### 6.1

#### **⚠ WARNING**

Turning off wall switch is not sufficient. To avoid possible electrical shock, be sure electricity is turned off at the main fuse box before wiring. All wiring must be in accordance with National and Local codes and the ceiling fan must be properly grounded as a precaution against possible electrical shock.

#### **Removal of the Shade from the Light Kit Adapter/Light Kit Assembly:**

Rotate the Shade counter-clockwise and remove from the Light Kit Adapter/Light Kit Assembly (Figure 20).

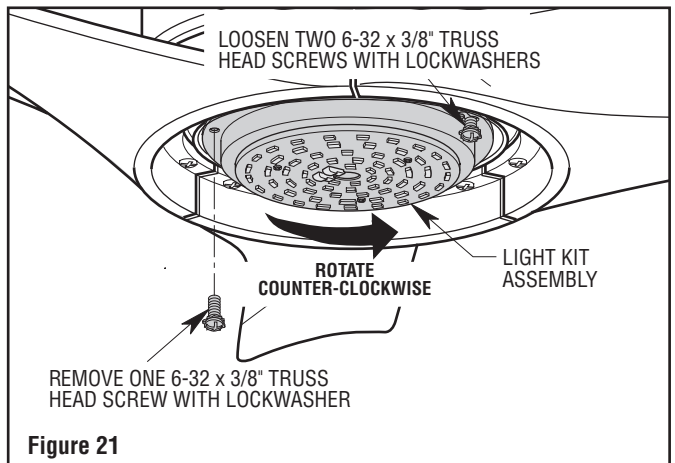


### 6.2

Remove one of the three 6-32 x 3/8" Truss Head Screws with Lockwashers in the Light Kit Adapter and loosen the remaining two screws in the key hole slots (Figure 21).

Rotate the Light Kit Assembly counter-clockwise for removal.

Replace the 6-32 x 3/8" Truss Head Screws with Lockwasher previously removed and tighten all three screws.

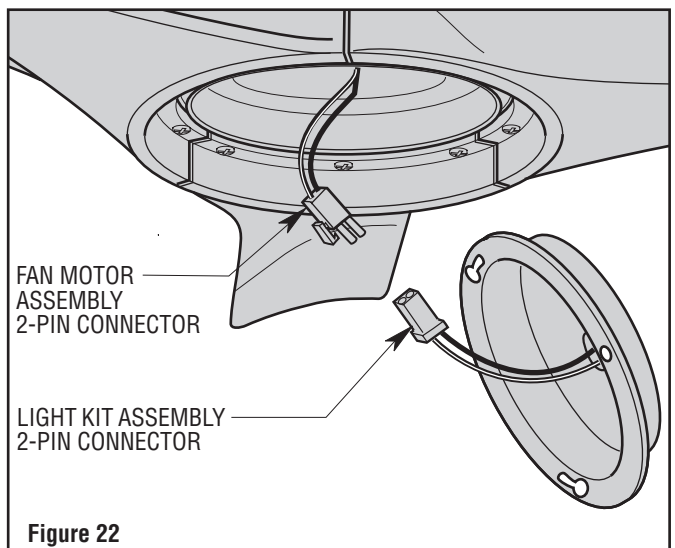


### 6.3

Disengage the Fan Motor Assembly 2-Pin Wire Connector from the 2-Pin Wire Connector of the Light Kit Assembly (Figure 22).

Store Light Kit Assembly in a safe location for future installation.

Tuck the Fan Motor Assembly Wires and connectors into the Light Kit Assembly prior to assembling the No-Light Plate.



## 6. Optional Installation of No-Light Plate Assembly (Continued)

### 6.4

Place the No-Light Plate into the opening of the Light Kit Adapter, aligning the three Flat Areas on the top edge of the No-Light Plate with the three Raised Dimples on the Light Kit Adapter and turn the Plate clockwise until it stops (Figure 23).

**NOTE: The no-light plate is equipped with an interference device that will not allow it to be installed if the light kit assembly is not removed.**

**NOTE: Periodically check that the no-light plate is seated fully clockwise in the Light Kit Adapter.**

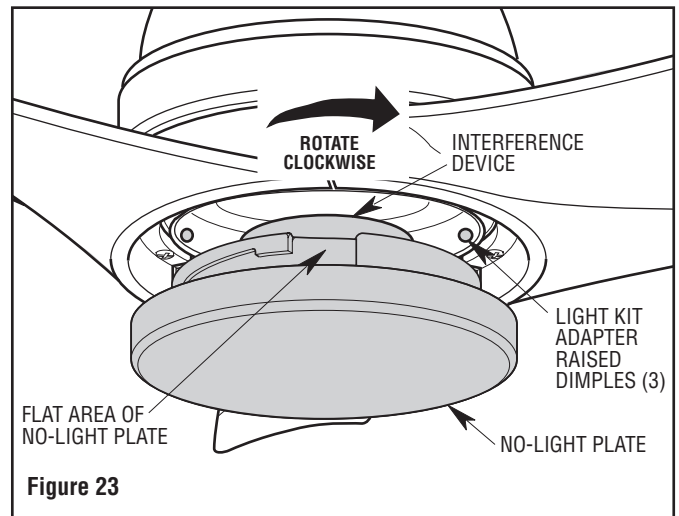


Figure 23

# 7. How to Wire Your Ceiling Fan

If you feel that you do not have enough electrical wiring knowledge or experience, have your fan installed by a licensed electrician.

## **⚠ WARNING**

To avoid possible electrical shock, be sure electricity is turned off at the main fuse box before wiring.

**NOTE:** If you are not sure if the outlet box is grounded, contact a licensed electrician for advice, as it must be grounded for safe operation.

### 7.1

Connect the Green Grounding Wire from the Hanger Ball and the Green Grounding Wire from the Hanger Bracket to the Grounding Conductor of Supply (this may be a bare wire or wire with green colored insulation). Securely connect Wires with Wire Connectors (supplied in parts bag) (Figure 24).

## **⚠ WARNING**

Turning off wall switch is not sufficient. To avoid possible electrical shock, be sure electricity is turned off at the main fuse box before wiring. All wiring must be in accordance with National and Local codes and the ceiling fan must be properly grounded as a precaution against possible electrical shock.

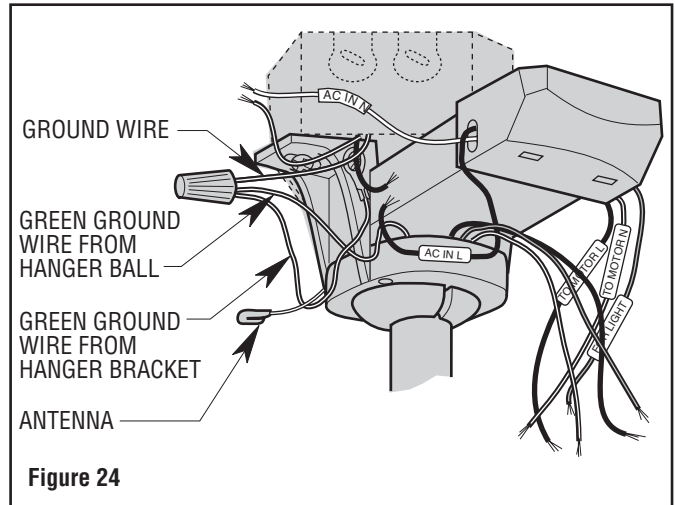


Figure 24

## **⚠ WARNING**

This product is designed to use only those parts supplied with this product and/or any accessories designated specifically for use with this product by Luminance Brands. Substitution of parts or accessories not designated for use with this product by Luminance Brands could result in personal injury or property damage.

### 7.2

Securely connect the Receiver White Wire (AC in N) to the Supply White Wire (neutral) using the Wire Connector (supplied in parts bag) (Figure 25).

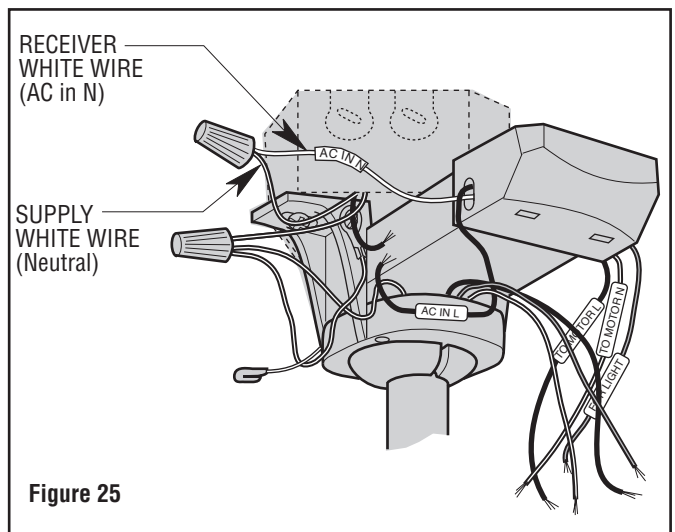


Figure 25

## 7. How to Wire Your Ceiling Fan (Continued)

### 7.3

Securely connect the Receiver Black Wire (AC in L) to the Supply Black Wire (hot) using the Wire Connector (supplied in parts bag) (Figure 26).

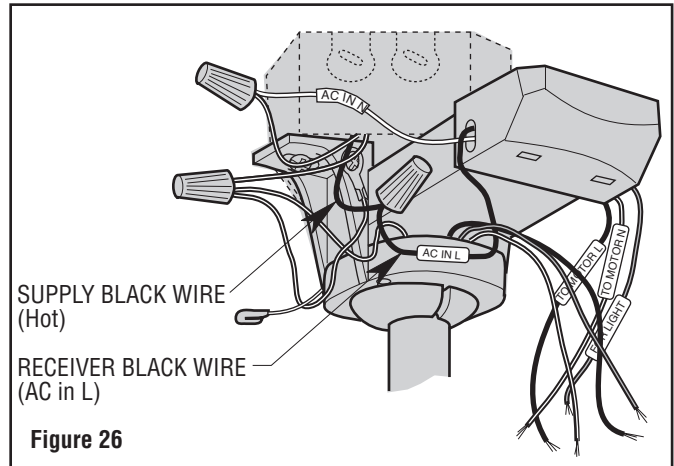


Figure 26

### 7.4

Securely connect the Receiver White Wire (TO MOTOR N) to the Fan Motor White Wire using the Wire Connector (supplied in parts bag) (Figure 27).

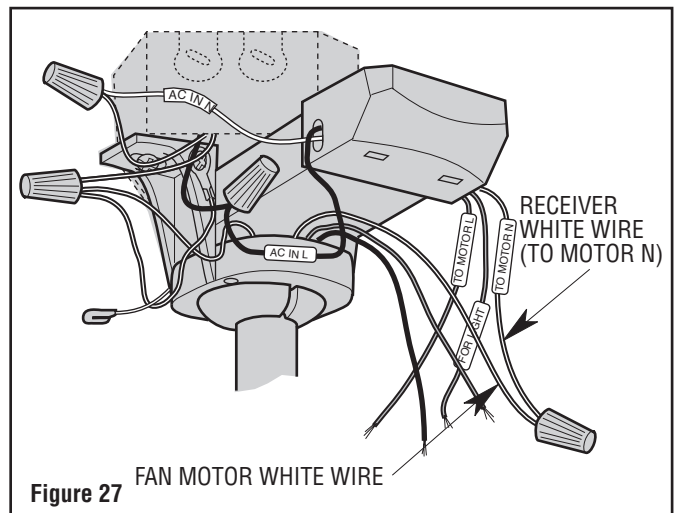


Figure 27

### 7.5

Securely connect the Receiver Red Wire (TO MOTOR L) to the Fan Motor Black Wire using the Wire Connector (supplied in parts bag) (Figure 28).

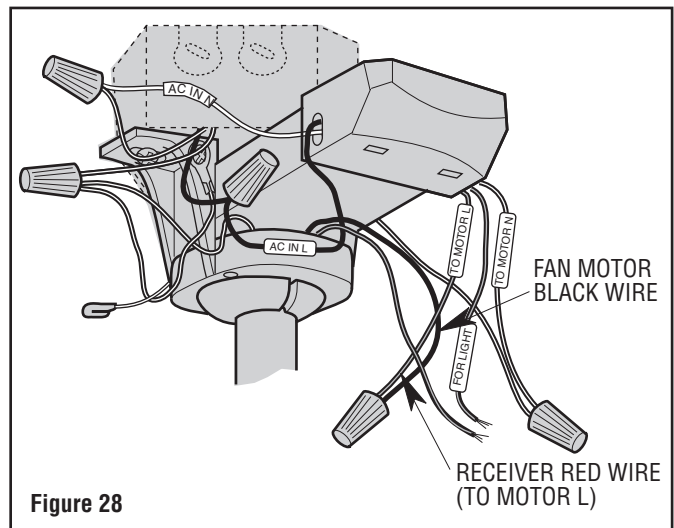


Figure 28



## 7. How to Wire Your Ceiling Fan (Continued)

### 7.6

Securely connect the Receiver Blue Wire (TO LIGHT) to the Fan Motor Blue Wire using the Wire Connector (supplied in parts bag) (Figure 29).

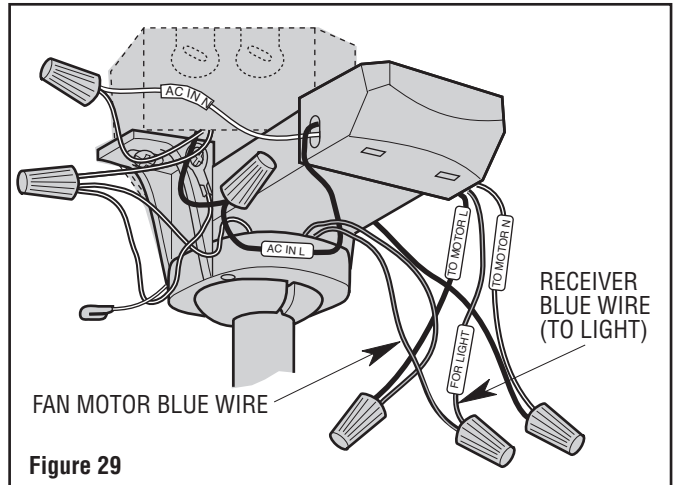


Figure 29

### 7.7

While inserting the Receiver fully into the Hanger Bracket, turn Wires upward and carefully push Wires into the Outlet Box, with the White and Green Wires on one side of the Outlet Box and position the Black Wire on the other side of the Outlet Box (Figure 30).

#### **⚠ WARNING**

Check to see that all connections are tight, including ground, and that no bare wire is visible at the wire connectors, except for the ground wire. Do not operate fan until blades are in place. Noise and fan damage could result.

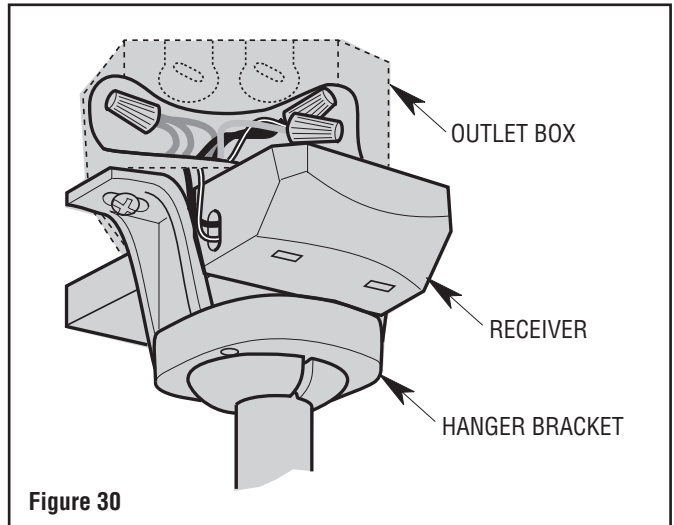


Figure 30

### 7.8

Screw the two Threaded Studs (supplied in parts bag) into the Tapped Holes in the Hanger Bracket (Figure 31).

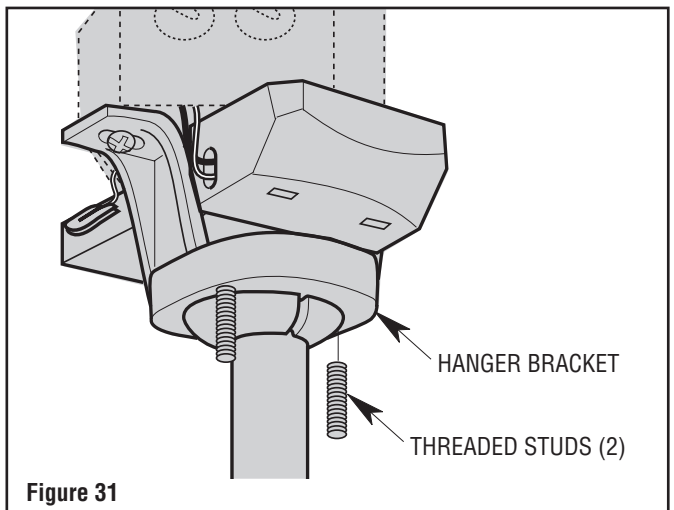


Figure 31

## 7. How to Wire Your Ceiling Fan (Continued)

### 7.9

Wiring Schematic for reference (Figure 32).

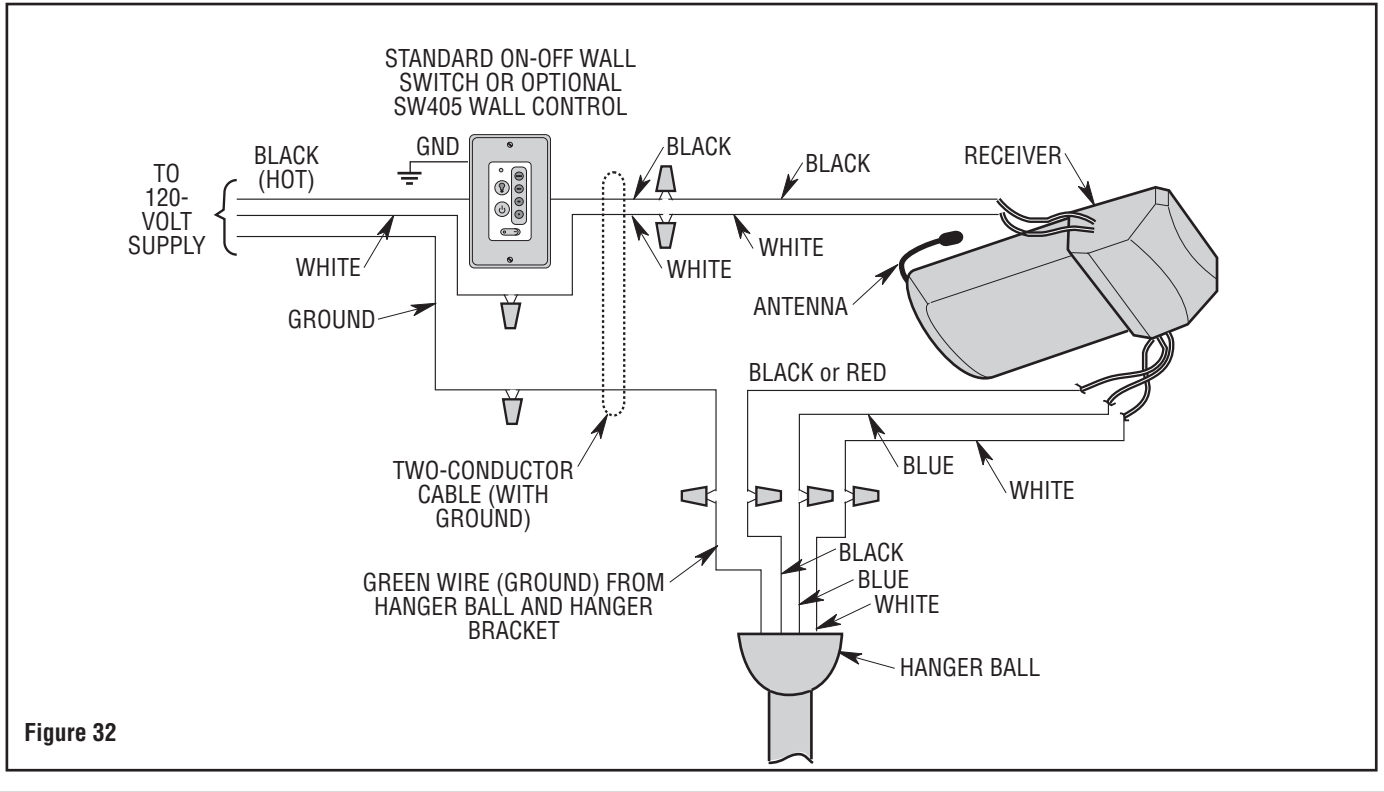


Figure 32

## 8. Final Assembly

### 8.1

Lift the Ceiling Cover up to the Threaded Studs and turn until Studs protrude through the Holes in the Ceiling Cover (Figure 33).

Secure the Ceiling Cover in place by sliding Lockwashers over the Threaded Studs and installing the two Knurled Knobs (supplied in parts bag) (Figure 33).

Tighten the Knurled Knobs securely until the Ceiling Cover fits snugly against the Ceiling and the Hole in the Ceiling Cover is clear of the Downrod.

#### **⚠ WARNING**

To avoid possible fire or shock, make sure that the electrical wires are completely inside the outlet box and not pinched between the ceiling cover and the ceiling.

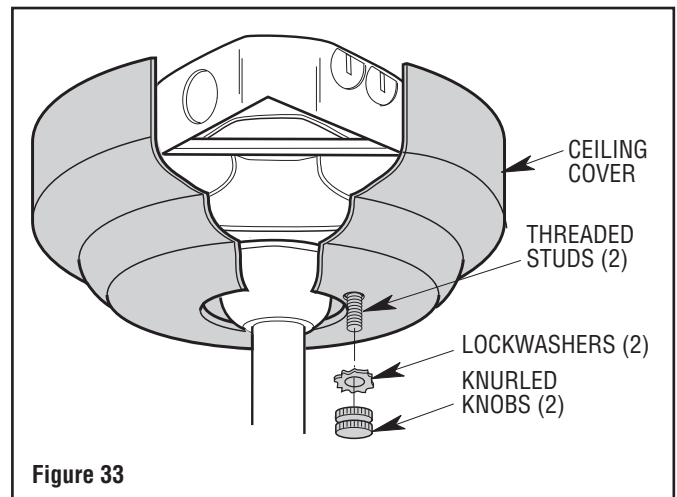


Figure 33

# 9. Reverse Switch Operation

## 9.1

Restore Electrical Power to the Outlet Box by turning the Electricity on at the Main Fuse Box.

During Summer Months, run the Fan Counter-Clockwise, as you look up at it, to direct airflow downward.

During the Winter Months, run the Fan Clockwise, as you look up at it, to direct airflow upward.

If airflow is desired in the opposite direction, turn the Ceiling Fan OFF and wait for the Blades to stop turning.

Slide the Reverse Switch (located on side of the Fan Motor Assembly) to the opposite position, and turn the Ceiling Fan on again (Figure 34).

The Fan Blades will turn in the opposite direction and reverse the airflow.

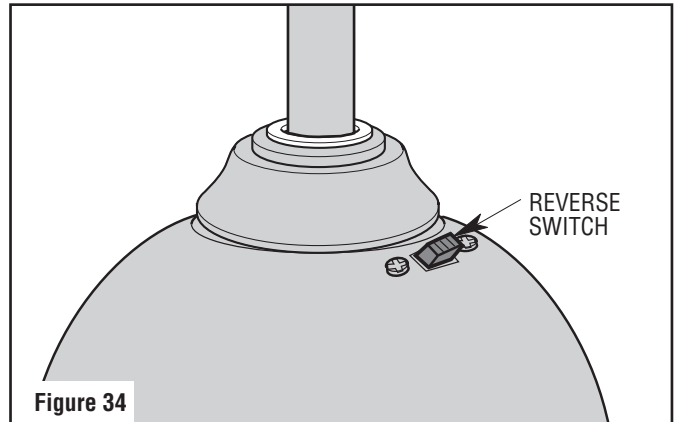


Figure 34

### Reverse Switch Information

Season	Blade Rotation Direction
Summer	Counter-Clockwise
Winter	Clockwise

# 10. Remote Control Procedures

## ⚠ WARNING

Fan installation must be completed, including the installation of the fan blades, before testing the remote control.

## 10.1: Preset Memory Feature

Your Ceiling Fan consists of a Hand-Held Remote Control Transmitter and a Receiver which is mounted under the Fan Ceiling Cover.

Your Receiver is equipped with a preset memory feature. If the AC supply to the Receiver is powered through a Wall Switch, when the Switch is turned OFF, the Control will remember the Light Intensity and Fan Speed.

When the Switch is turned back ON the Light and Fan will resume operation as they were prior to the Switch being turned OFF.

## 10.2: Installation of Batteries

The Remote Control Transmitter is powered by two AAA Alkaline Batteries.

To prevent possible battery leakage damage, be sure to remove the Batteries when the Control is not to be used for an extended period of time.

Remove the Battery Cover by pressing firmly below the arrow and sliding the Cover off the Remote Control.

Install two new AAA Alkaline Batteries into the Battery Compartment following the correct Battery placement printed on the Compartment (Figure 35).

**NOTE: Never use old and new Batteries together in unit.**

Replace the Battery Compartment cover by sliding the Cover back onto the Remote Control.

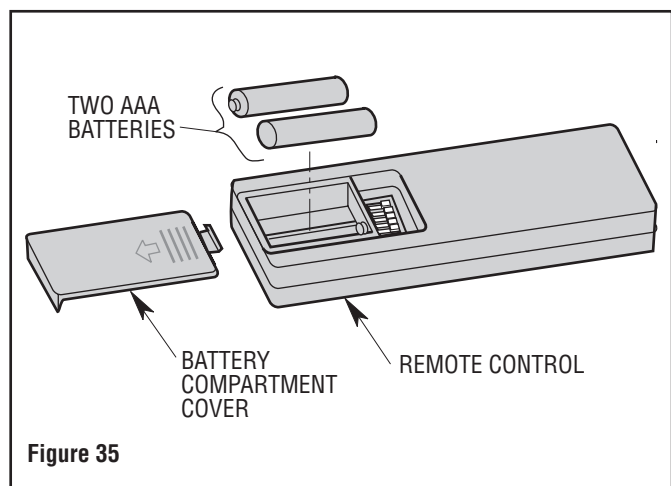


Figure 35

## 10. Remote Control Procedures (Continued)

### 10.3: Setting Operating Frequency of Remote Control

Remove the Battery Cover by pressing firmly below the arrow and sliding the Cover off the Control (Figure 36).

Your Remote Control has Code Switches which must be set in one of 32 possible code combinations.

The five levers (numbered 1, 2, 3, 4, and 5) on the switches are factory-set in the ON (up) position. Change the Switch settings as follows:

Slide the five Switch Levers in the Remote Control to your choice of ON (up) or down positions. Use a ball-point pen or small screwdriver and slide the Levers firmly up or down (Figure 36).

The sixth Switch marked ON and I is for dimming control of lights: Set Switch to ON to allow for dimming of the lights. Set Switch to I for no dimming of the lights.

**NOTE: If your Fan and Light go on and off without using your Control, you may be getting interference from other remote units such as garage door openers, car alarms or security systems.**

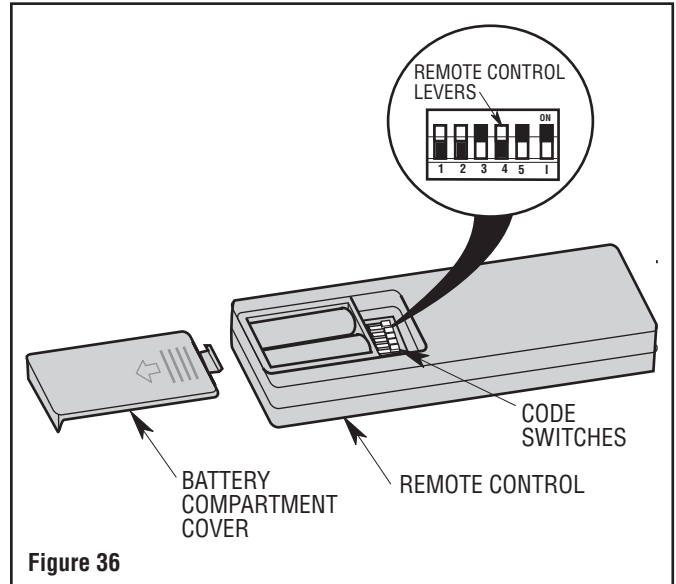


Figure 36

**To remedy this situations, simply change the combination code in your Remote Control Transmitter.**

## 11. Remote Control Operation

**FOR FANS WITH PULL CHAINS:** For your Fan/Light Control to operate properly, the Fan Pull Chain Switch must be set to operate the Fan at HIGH Speed, and the Light Kit must be switched to ON position. To avoid accidental Pull Chain use, shorten Chains.

### 11.1

When power is restored, push and hold the Fan OFF Button (⏻) for 3 to 5 Seconds to set the Code in the Receiver (Figure 37).

**NOTE: The Ceiling Fan Lights (if installed) will Blink to indicate the Transmitter has been paired with the Receiver.**

To turn the Ceiling Fan OFF, press and release the Fan OFF Button (⏻).

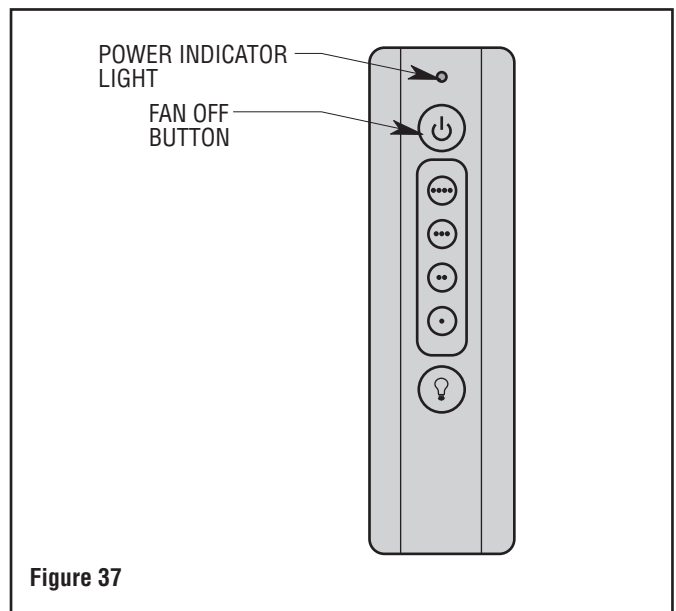


Figure 37

# 11. Remote Control Operation (Continued)

## 11.2

The Remote Control is designed to separately control your Ceiling Fan Speed and Light Intensity (Figure 38).

There are Four Push Buttons (•, ••, •••, ••••) to set the Fan Speed.

## 11.3

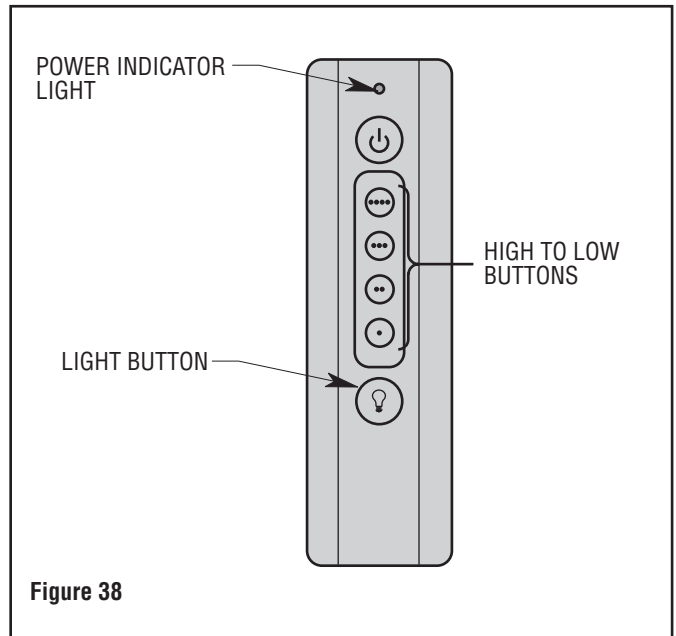
The Light Push Button (💡) turns the Light ON and OFF and controls the Light Intensity (Figure 38).

To vary the Intensity of the Light, hold the Light Button (💡) down until the desired Light Intensity is reached, then release the Button (Figure 38).

**NOTE: When turning the light on, light will turn on at the light intensity previously selected.**

Your Remote Control has full control of your Fan and Light.

The Power Indicator Light (blue glow) will illuminate while any Button is pressed, indicating that the Battery is good.

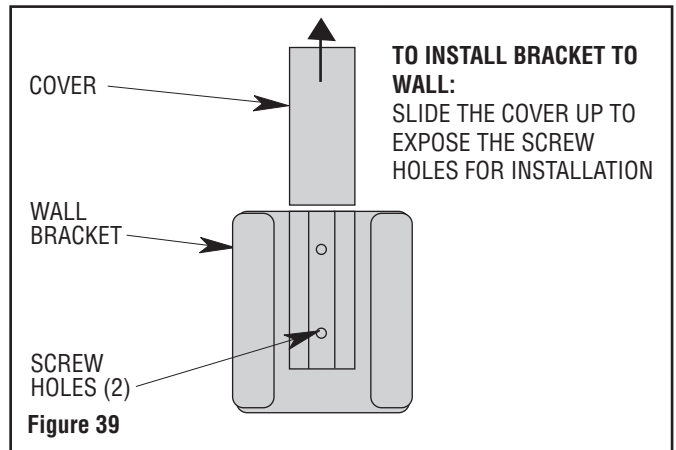


## 11.4: Storage Bracket Installation

A Storage Bracket is provided for holding your Remote Control when not in use. If you desire to use the Bracket, install it on a Wall that is away from excess heat or humidity.

Slide the Wall Bracket Cover up to expose the Screw Holes for installation (Figure 39).

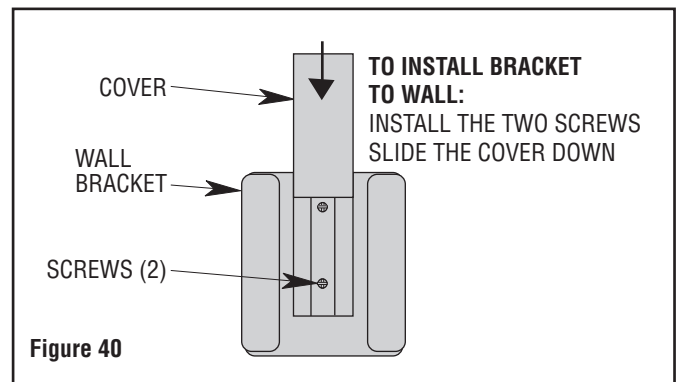
Position the Bracket on the Wall in desired location.



## 11.5

Install the Two Screws (provided with bracket) into the Wall Bracket and tighten to secure to Wall (Figure 40).

Slide the Wall Bracket Cover back down over the Screws.



# 12. Light Kit LED Array Assembly Replacement

## ⚠ WARNING

To avoid possible electrical shock, be sure electricity is turned off at the main fuse box before wiring.

**NOTE:** If you are not sure if the outlet box is grounded, contact a licensed electrician for advice, as it must be grounded for safe operation.

### Tools Needed

One Phillips Head Screwdriver

One Stepladder

## ⚠ WARNING

Turning off wall switch is not sufficient. To avoid possible electrical shock, be sure electricity is turned off at the main fuse box before wiring. All wiring must be in accordance with National and Local codes and the ceiling fan must be properly grounded as a precaution against possible electrical shock.

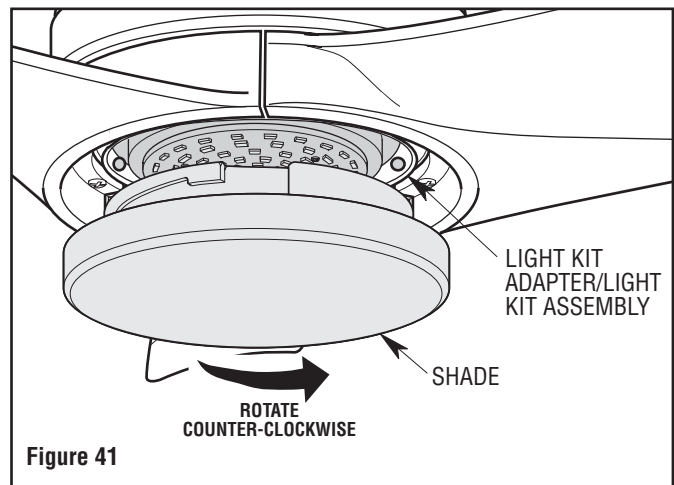
## 12.1

Disconnect electrical power to the branch circuit at the circuit breaker or fuse box before attempting to replace the Light Kit LED Array Assembly.

## 12.2

Rotate and remove the Shade counter-clockwise to expose the Light Kit Assembly (Figure 41).

Retain Shade for future reinstallation.

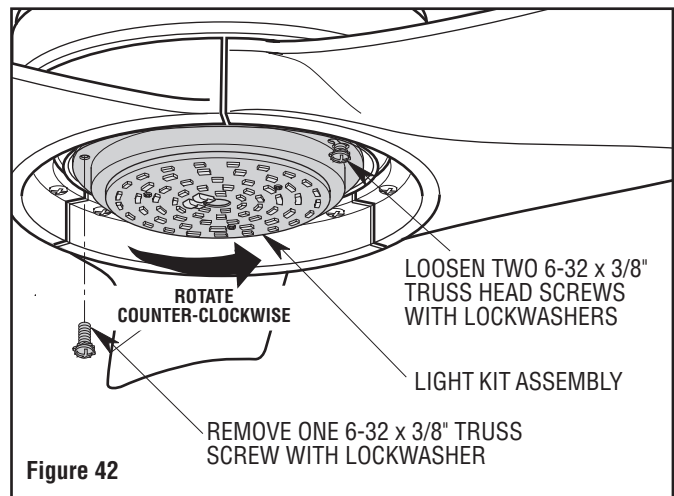


## 12.3

Loosen the two Light Kit Adapter 6-32 x 3/8" Truss Head Screws with Lockwashers located in the key hole slots.

Remove the remaining Light Kit Adapter 6-32 x 3/8" Truss Head Screws with Lockwasher (Figure 42). Retain for future use.

Rotate the Light Kit Assembly counter-clockwise to disengage the two 6-32 x 3/8" Truss Head Screws with Lockwashers in the key hole slots for removal of Light Kit Assembly.



## 12. Light Kit LED Array Assembly Replacement (Continued)

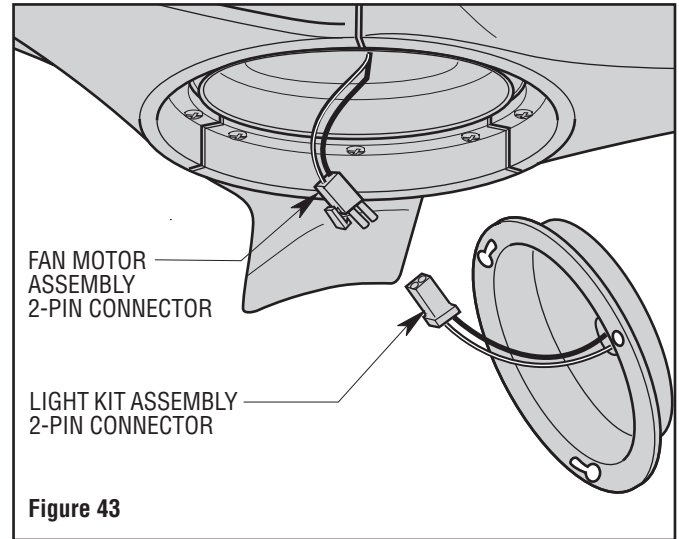
### 12.4

Disengage the Fan Motor Assembly 2-Pin Wire Connector from the 2-Pin Wire Connector of the Light Kit Assembly (Figure 43).

### 12.5

Install new Light Kit Assembly by following the assembly instructions in Section 5, Steps 5.1 through 5.4.

Restore electricity and verify function of the Light Kit.



## 13. Light Kit LED Driver Replacement

The Light Kit Driver is located in the motor assembly.

The entire ceiling fan will have to be unwired and removed from the ceiling outlet box.

If you feel that you do not have enough electrical wiring knowledge or experience, contact a licensed electrician to complete this repair.

### 13.1

Disconnect electrical power to the branch circuit at the circuit breaker or fuse box before attempting to remove the ceiling fan from the mounting bracket.

#### Tools Needed

- One Phillips Head Screwdriver
- One Stepladder

#### **⚠ WARNING**

Turning off wall switch is not sufficient. To avoid possible electrical shock, be sure electricity is turned off at the main fuse box before wiring. All wiring must be in accordance with National and Local codes and the ceiling fan must be properly grounded as a precaution against possible electrical shock.

#### **⚠ WARNING**

To avoid possible electrical shock, be sure electricity is turned off at the main fuse box before wiring.  
**NOTE:** If you are not sure if the outlet box is grounded, contact a licensed electrician for advice, as it must be grounded for safe operation.

# 13. Light Kit LED Driver Replacement (Continued)

## 13.2

Remove the two Knurled Knobs and Lockwashers from the Threaded Studs. Retain the hardware for future reinstallation (Figure 44).

Slide the Ceiling Cover Downward to rest on top the Motor Housing.

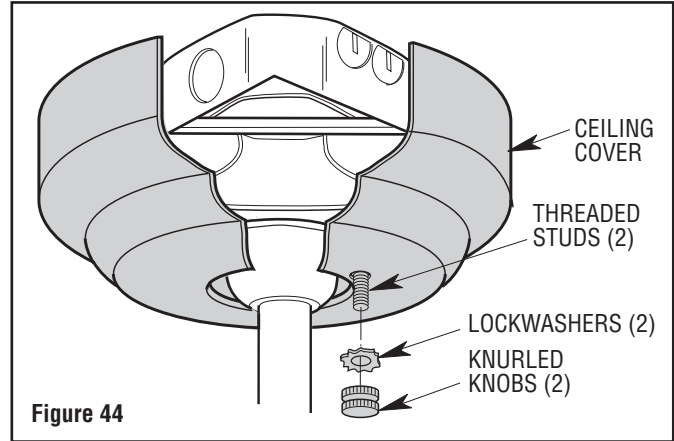


Figure 44

## 13.3

Slide the Receiver out of the Hanger Bracket for disassembly of the wiring (Figure 45).

**Removal of the Ceiling Fan Wires, See Section 7, Reverse Steps 7.6 through 7.1.**

Retain all hardware for future reinstallation.

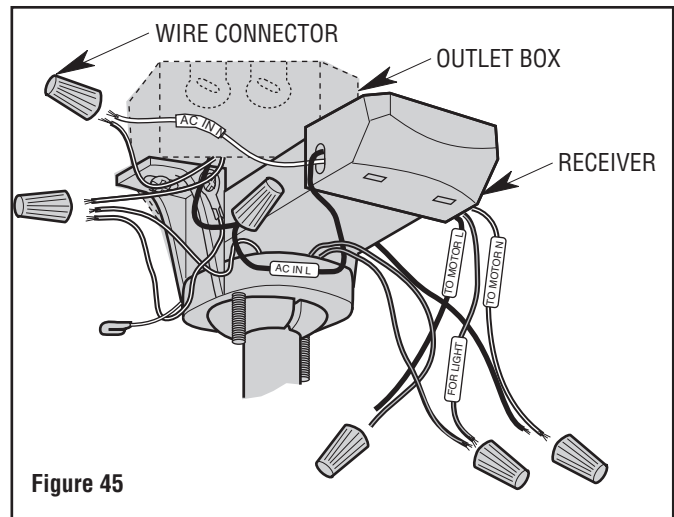


Figure 45

## 13.4

Carefully remove the Ceiling Fan (hangerball / downrod) from the Hanger Bracket.

Place the Ceiling Fan, Downrod facing up, onto a secure solid surface in preparation of the driver replacement.

**NOTE: Be very careful not to bend the blade assemblies while removing the ceiling fan.**

## 13.5

Remove the Hanger Ball Pin from the Hanger Ball to release the Hanger Ball from the Downrod (Figure 46).

Loosen the Phillips Head Set Screw to release the Hanger Ball from the Downrod (Figure 46).

Retain both the Pin and Hanger Ball for future reinstallation.

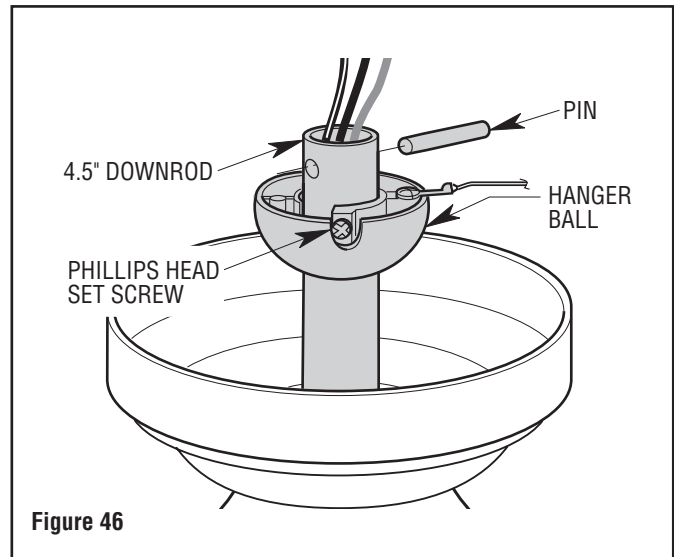


Figure 46



## 13. Light Kit LED Driver Replacement (Continued)

### 13.6

Slide the Ceiling Cover and the Coupler Cover up and off the Downrod to access the top of the Motor Housing (Figure 47).

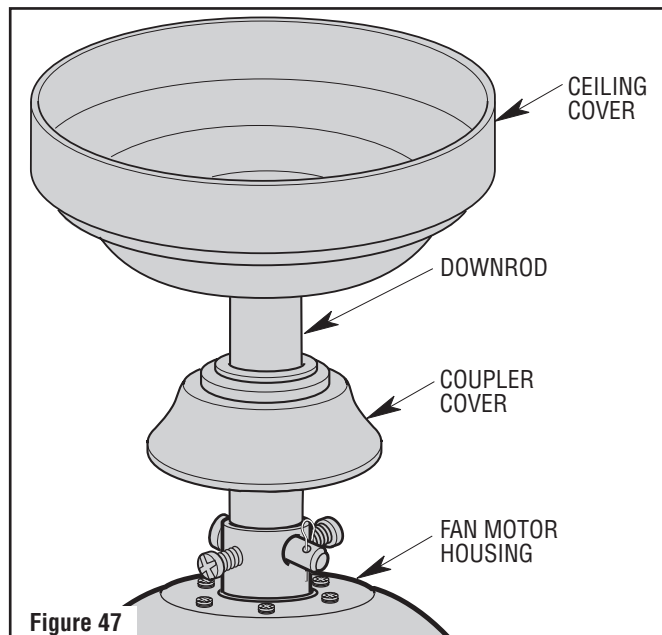


Figure 47

### 13.7

Remove the Hairpin Clip from the Clevis Pin.  
Remove the Clevis Pin from the Motor Coupler to release the Downrod from the Motor Coupler (Figure 48).  
Retain both the Clevis Pin and the Hairpin Clip for future reinstallation.

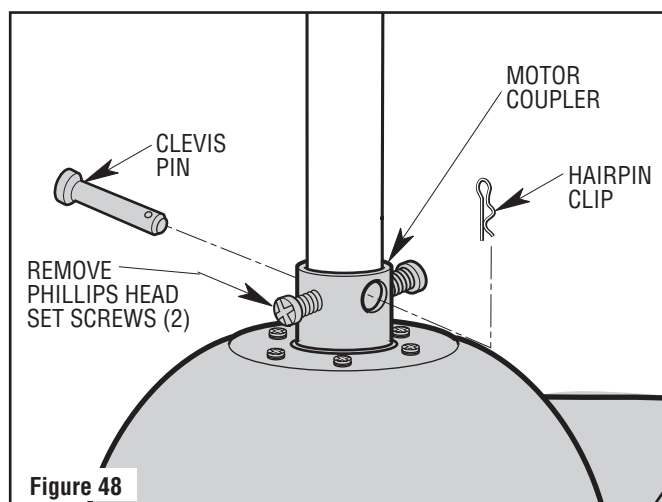


Figure 48

### 13.8

Remove the two Set Screws, using a Phillips Head Screwdriver, from the Motor Coupler (Figure 48).  
Retain both Set Screws for future reinstallation.  
Remove the Downrod from the Motor Coupler and retain for future reinstallation.

### 13.9

Remove the six Upper Motor Cover Screws, using a Phillips Head Screwdriver (Figure 49).  
Slide the Upper Motor Cover up and off the downrod to expose access to the Light Kit Driver.  
Retain the six Screws and Motor Cover for future reinstallation.

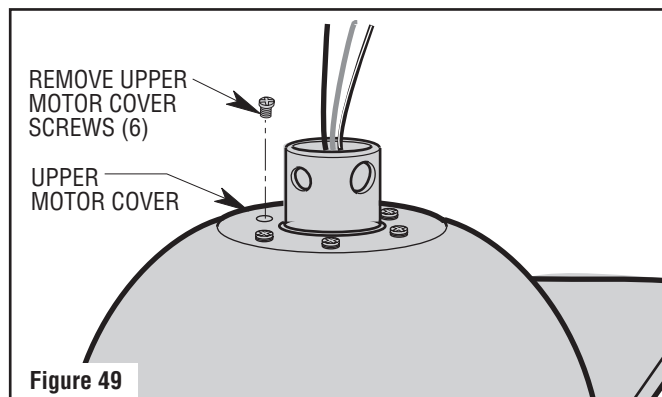


Figure 49

# 13. Light Kit LED Driver Replacement (Continued)

## 13.10

Squeeze and unclip the Motor AC Power Connector from the Light Kit LED Driver Connector (Figure 50).

Squeeze and unclip the Motor DC Power Connector from the Light Kit LED Driver Connector (Figure 50).

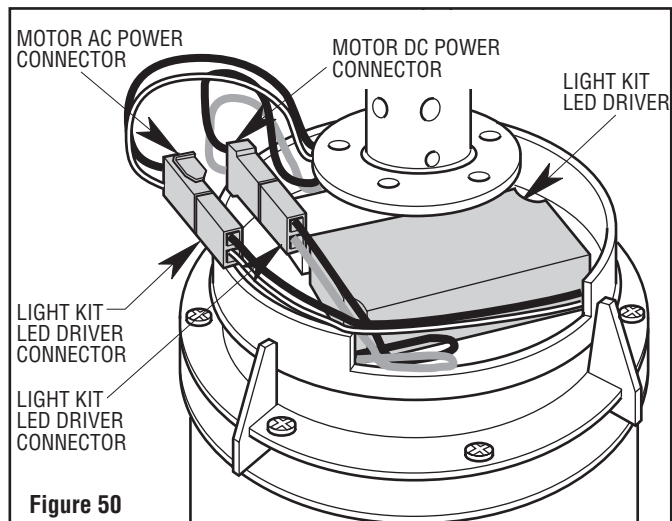


Figure 50

## 13.11

Remove the two Phillips Head Screws from the Old Light Kit LED Driver (Figure 51).

Retain the Screws for future reinstallation.

Gently pull up on the Old Light Kit LED Driver. Remove the Driver from the Motor Housing (Figure 51).

Discard the Old Light Kit LED Driver in the correct recycle bin.

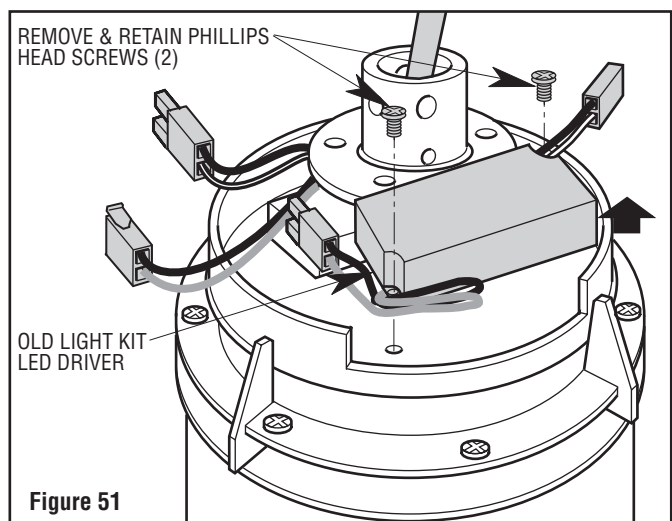


Figure 51

## 13.12

Place the New Light Kit LED Driver into the Motor Housing, aligning it directly where the Old Driver had been (Figure 52).

Install the New Light Kit LED Driver to the Motor Housing using the two Screws previously removed (Figure 52).

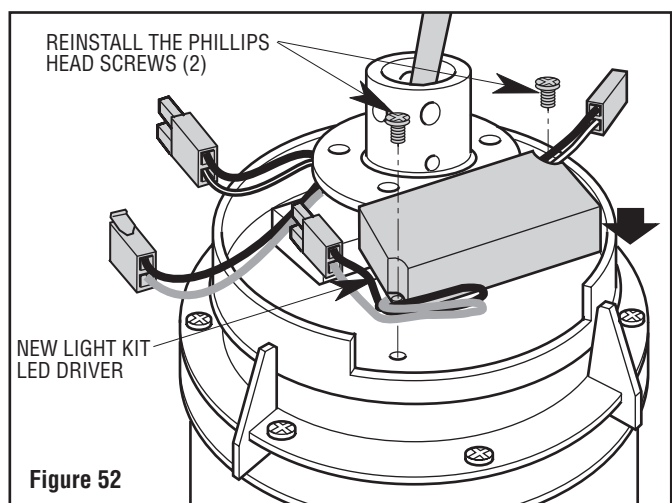


Figure 52

## 13. Light Kit LED Driver Replacement (Continued)

### 13.13

Reconnect the Motor AC Power Connector to the Light Kit LED Driver Connector (Figure 53).

Reconnect the Motor DC Power Connector to the Light Kit LED Driver Connector (Figure 53).

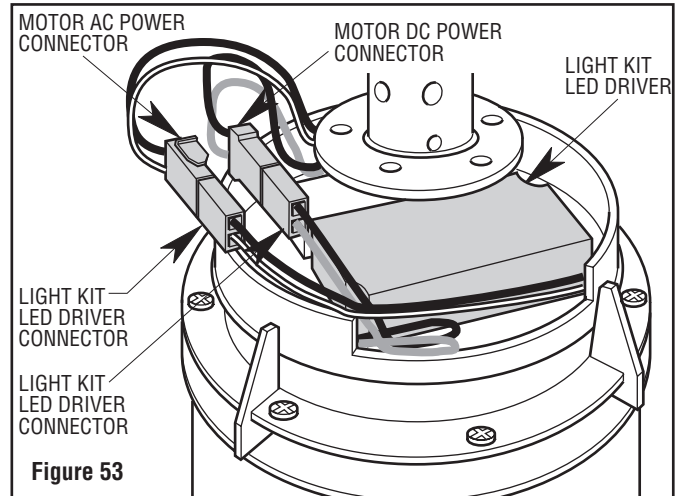


Figure 53

### 13.14

Replace the Upper Motor Cover by reinstalling the six Upper Motor Cover Screws, previously removed in Step 13.9 (Figure 54).

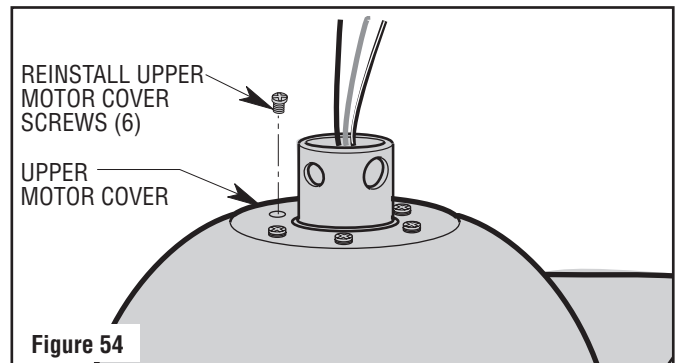


Figure 54

### 13.15

Route the three Motor Wires through the 4.5" Downrod (Figure 55). Re-seat the Downrod in the Motor Coupler.

Rotate and align the two Downrod Holes with the two Holes in the Motor Coupler as shown in Figure 55.

**NOTE: It is important to keep the downrod holes aligned with the motor coupler holes while reinstalling the two set screws.**

Reinstall the two Set Screws (previously removed) into the Motor Coupler to capture the Downrod in place (Figure 55).

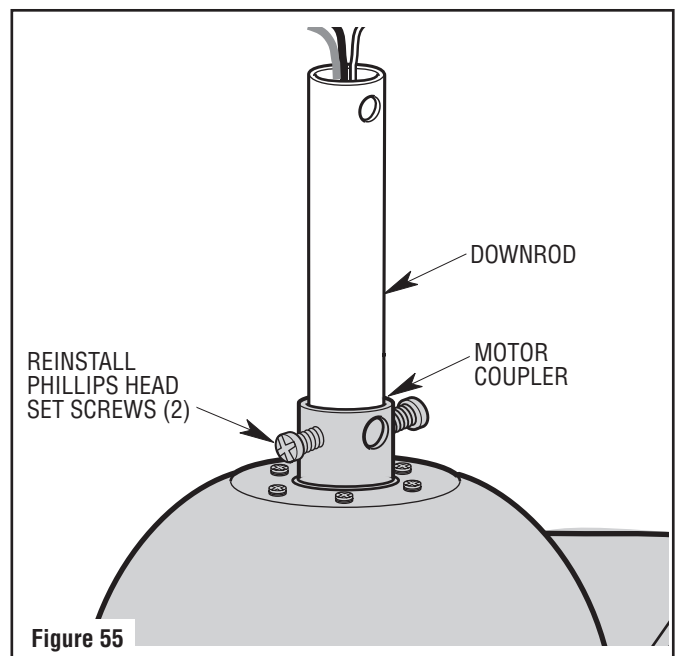


Figure 55

## 13. Light Kit LED Driver Replacement (Continued)

### 13.16

Final assembly of the Downrod, Coupler Cover, Ceiling Cover, and Hanger Ball will be completed by following the Ceiling Fan Assembly, Sections 3, Steps 3.8 through 3.11. Figure 56 shows the beginning process.

### 13.17

Rehang your Ceiling Fan per Section 4, Step 4.2.

### 13.18

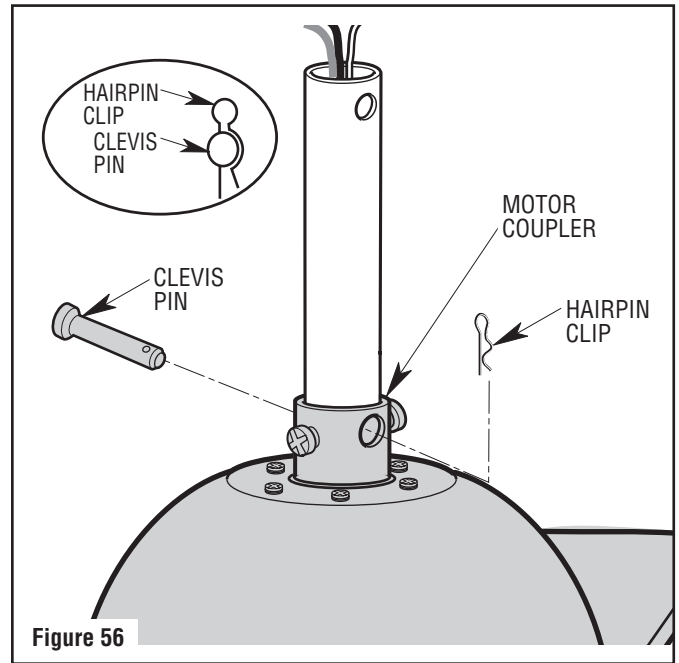
Rewire your Ceiling Fan per Section 7, Steps 7.1 through 7.7.

### 13.19

Reinstall your Ceiling Cover per Section 8, Step 8.1.

### 13.20

Restore electricity and verify function of the Light Kit.



# 14. Maintenance

## IMPORTANT CARE INSTRUCTIONS for your Ceiling Fan

Periodic cleaning of your new Ceiling Fan is the only maintenance that is needed.

When cleaning, use only a soft brush or lint free cloth to avoid scratching the finish.

Abrasive cleaning agents are not required and should be avoided to prevent damage to finish.



### **WARNING**

**Do not use water when cleaning your ceiling fan. It could damage the motor or the blades and create the possibility of an electrical shock.**

# 15. Troubleshooting

### **WARNING**

**FOR YOUR OWN SAFETY TURN OFF POWER AT FUSE BOX OR CIRCUIT BREAKER BEFORE TROUBLESHOOTING YOUR FAN.**

TROUBLE	PROBABLE CAUSE	SUGGESTED REMEDY
<b>1. Fan will not start.</b>	<ol style="list-style-type: none"> <li>Loose power line connections to the fan, or loose switch wire connections in the Light Kit Adapter.</li> <li>Reverse switch in neutral position.</li> </ol>	<ol style="list-style-type: none"> <li>Check line wire connections to fan and switch wire connections in the Light Kit Adapter.</li> </ol> <div style="border: 1px solid black; padding: 5px; text-align: center;"> <p> <b>WARNING</b></p> <p><b>Make sure main power is turned OFF.</b></p> </div> <ol style="list-style-type: none"> <li>Make sure reverse switch position is all the way to one side.</li> </ol>
<b>2. Fan sounds noisy.</b>	<ol style="list-style-type: none"> <li>Blades not attached to fan.</li> <li>Wire connectors inside Light Kit Adapter are rattling.</li> <li>Screws holding blades to motor hub are loose.</li> </ol>	<ol style="list-style-type: none"> <li>Attach blades to fan before operating.</li> <li>Check to make sure wire connectors in Light Kit Adapter are not rattling against each other or against the interior wall of the Light Kit Adapter.</li> </ol> <div style="border: 1px solid black; padding: 5px; text-align: center;"> <p> <b>WARNING</b></p> <p><b>Make sure main power is turned OFF.</b></p> </div> <ol style="list-style-type: none"> <li>Tighten screws securely.</li> </ol>
<b>3. Fan wobbles excessively.</b>	<ol style="list-style-type: none"> <li>Set Screws in motor coupler are loose.</li> <li>Set Screw in hanger ball/downrod assembly is loose.</li> <li>Screws securing fan blades to motor hub are loose.</li> <li>Hanger bracket and/or ceiling outlet box is not securely fastened.</li> </ol>	<ol style="list-style-type: none"> <li>Tighten both Set Screws securely in the motor coupler.</li> <li>Tighten the Set Screw in the hanger ball/downrod assembly.</li> <li>Check to be sure screws which attach the fan blades to the motor hub are tight.</li> <li>Tighten the hanger bracket screws to the outlet box, and/or secure outlet box.</li> </ol>

## 16. Energy Efficient Use of Ceiling Fans

Ceiling Fan performance and energy savings rely heavily on the proper installation and use of the Ceiling Fan. Here are a few tips to ensure quality and product performance.

### **Choosing the Appropriate Mounting Location.**

Ceiling Fans should be installed, or mounted, in the middle of the room and at least 2.1 m above the floor and 46 cm from the walls. If ceiling height allows, install the fan 2.5 m - 2.75 m above the floor for optimal airflow. Consult your Luminance Brands Retailer for optional mounting accessories.

**Using the Ceiling Fan Year Round.** In the summer, use the Ceiling Fan in the counter-clockwise direction. The airflow produced by the Ceiling Fan creates a wind-chill effect, making you “feel” cooler. Select a fan speed that provides a comfortable breeze, lower speeds consume less energy. In the winter, reverse the motor and operate the Ceiling Fan at low speed in the clockwise direction. This produces a gentle updraft, which forces warm air near the ceiling down into the occupied space. Remember to adjust your thermostat when using your ceiling fan - additional energy and dollar savings could be realized with this simple step!

**Turn Off When Not in the Room.** Ceiling Fans cool people, not rooms. If the room is unoccupied, turn off the Ceiling Fan to save energy.

## **INSTRUCTION TO THE USER (if device contains a digital device)**

This equipment has been tested and found to comply with the limits for a class B digital device, pursuant to part 15 of the FCC Rules. These limits are designed to provide reasonable protection against harmful interference in a residential installation. This equipment generates, uses and can radiate radio frequency energy and if not installed and used in accordance with the instructions, may cause harmful interference to radio communications. However, there is no guarantee that interference will not occur in a particular installation. If this equipment does cause harmful interference to radio or television reception, which can be determined by turning the equipment off and on, the user is encouraged to try to correct the interference by one or more of the following measures:

- Reorient or relocate the receiving antenna.
- Increase the separation between the equipment and receiver.
- Connect the equipment into an outlet on a circuit different from that to which the receiver is connected.
- Consult the dealer or an experienced radio/TV technician for help.

This equipment has been certified to comply with the limits for a class B computing device, pursuant to FCC Rules. In order to maintain compliance with FCC regulations, shielded cables must be used with this equipment. Operation with non-approved equipment or unshielded cables is likely to result in interference to radio and TV reception. The user is cautioned that changes and modifications made to the equipment without the approval of manufacturer could void the user's authority to operate this equipment.

This Class B digital apparatus meets all requirements of the Canadian Interference-Causing Equipment Regulations.

**Parrot  Uncle**