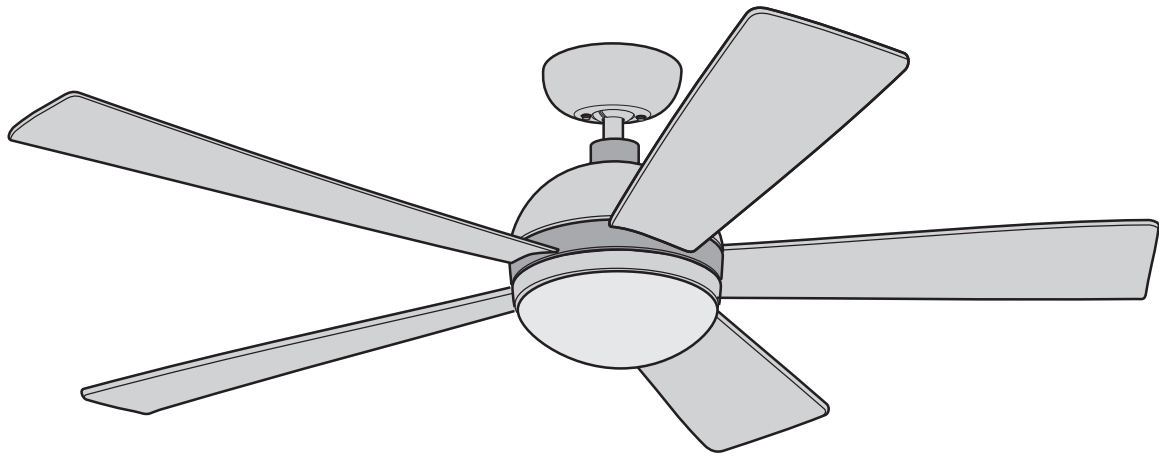




CEILING FAN



52" Ceiling Fan Owner's Manual
BBCF235

USE AND CARE GUIDE

Table of Contents

Section	Page	Section	Page
Safety Instructions	2	6. Final Assembly	18-20
1. Unpacking Instructions	3-4	7. Remote Control Procedures	20-23
2. Electrical Requirements	4	8. Reverse Switch Operation	24-25
3. Ceiling Fan Assembly	5-10	9. Energy Efficient Use of Ceiling Fan	26
4. How to Hang Your Ceiling Fan	11-12	10. Maintenance	26
5. How to Wire Your Ceiling Fan	13-17	11. Troubleshooting	27

READ AND SAVE THESE INSTRUCTIONS

Safety Instructions

WARNING

TO REDUCE THE RISK OF FIRE, ELECTRICAL SHOCK, OR INJURY TO PERSONS, OBSERVE THE FOLLOWING:

- Use this unit only in a manner intended by the manufacturer. If you have questions, contact the manufacturer.
- Before servicing or cleaning unit, switch power off at service panel and lock service panel disconnecting means to prevent power from being switched on accidentally. When the service disconnecting means cannot be locked, securely fasten a warning device, such as a tag, to the service panel.

- Read your owner's manual carefully and keep it for future reference.
- Be careful of the fan and blades when cleaning, painting, or working near the fan. Always turn off the power to the ceiling fan before servicing.
- Do not put anything into the fan blades while they are turning.
- Do not operate reversing switch until fan blades have come to a complete stop.

Additional Safety Instructions for Installation

- To avoid possible shock, be sure electricity is turned off at the fuse box before wiring, and do not operate fan without blades.
- All wiring must be in accordance with the National Electrical Code "ANSI/NFPA 70-2017" and Local Electrical Codes. Use the National Electrical Code if Local Codes do not exist. The ceiling fan must be grounded as a precaution against possible electrical shock. Electrical installation should be made or approved by a licensed electrician.

- The outlet box and joist must be securely mounted and capable of reliably supporting at least 50 pounds. Use only U.L. outlet boxes listed as "Acceptable for Fan Support of 22.7 kg. (50 lbs.) or less", and use the mounting screws provided with the outlet box. Most outlet boxes commonly used for support of light fixtures are not acceptable for fan support and may need to be replaced. Consult a qualified electrician if in doubt.

CAUTION

To reduce the risk of injury, install the fan so that the blades are at least 7 ft. (2.1m) above the floor.

- The downrod furnished with the fan provides the minimum recommended floor to fan blade clearance for an 8 foot ceiling.
- Follow the recommended instructions for the proper method of wiring your ceiling fan. If you do not know enough about electrical wiring, have your fan installed by a licensed electrician.

NOTE: This fan is suitable for use with solid-state speed controls.

NOTE: All set screws must be checked and re-tightened where necessary before installation.

WARNING

To reduce the risk of electrical shock, this fan must be installed with an isolating wall control/switch.
To reduce the risk of fire or electrical shock, this fan should only be used with fan speed control, Model No. UC7067RA, manufactured by Rhine Electric Co., Ltd.
To avoid fire, shock or injury, do not use an control not specifically approved for this fan.
This product is designed to use only those parts supplied with this product and/or any accessories designated specifically for use this product.
To reduce the risk of personal injury, do not bend the blades during installation, balancing the blades or cleaning the fan. Do not insert foreign objects in between rotating fan blades.

1. Unpacking Instructions

⚠ WARNING

Do not install or use fan if any part is damaged or missing.

⚠ WARNING

This product is designed to use only those parts supplied with this product and/or any accessories designated specifically for use with this product by Parrot Uncle.

1.1

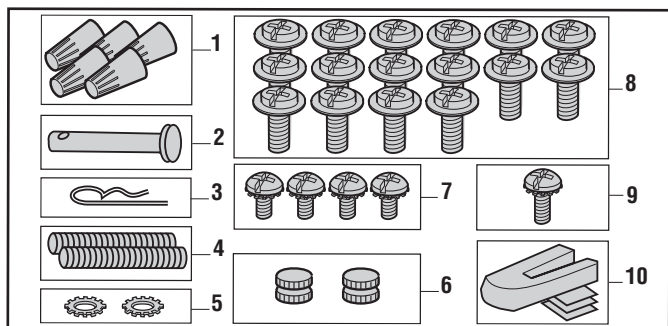
Open Carton containing the Fan. Remove top half of styrofoam unit. Remove Parts and check to see that you have received the following Hardware and Parts:

NOTE: If you are uncertain of part description, refer to exploded view illustration.

NOTE: Place the parts from the loose parts bags in a small container to keep them from being lost. If any parts are missing, contact your local retailer or catalog outlet for replacement before proceeding.

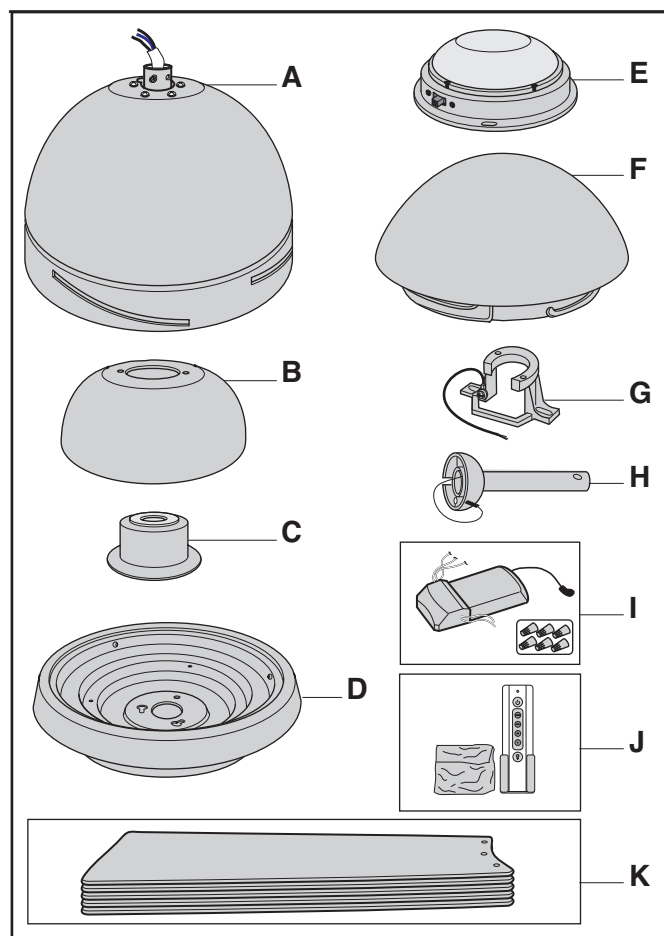
HARDWARE CONTENTS

Part	Description	Quantity
1	Wire Connectors, 12 ga.	5
2	Clevis Pin	1
3	Hairpin Clip	1
4	Threaded Stud, #8-32 x 1-1/4"	2
5	Lockwashers, External Tooth #8	2
6	Knurled Knobs, #8-32	2
7	#6-32 x 1/4" Pan Head Screws with Lockwashers	4
8	#8-32 x 11mm Washer Head Screws	16
9	#6-32 x 3/8" Pan Head Screw with Lockwasher (spare)	1
10	Blade Balance Kit	1



PACKAGE CONTENTS

Part	Description	Quantity
A	Fan Motor Assembly	1
B	Ceiling Cover	1
C	Coupler Cover	1
D	Lower Housing	1
E	LED Light Fixture Assembly	1
F	Shade	1
G	Hanger Bracket	1
H	Hanger Ball / 4.5" Downrod Assembly	1
I	Receiver and Hardware	1
J	Remote Control Transmitter, with Wall Bracket and Hardware	1
K	Fan Blades	5



1.2

Remove the Fan Motor Assembly from the protective plastic bag. Place the Fan Motor Assembly onto the upper foam pad with the Bottom of the Fan Motor Assembly facing up for blade assembly.

The upper foam pad serves as a holder for the Fan during the first stages of assembly.

1. Unpacking Instructions (Continued)

This Manual Is Designed to Make it as Easy as Possible for You to Assemble, Install, Operate and Maintain Your Ceiling Fan

Tools Needed for Assembly

One Phillips Head Screwdriver One Stepladder
One 1/4" Blade Screwdriver One Wire Stripper

Materials

Wiring outlet box and box connectors must be of type required by the local code. The minimum wire would be a 3-conductor (2-wire with ground) of following size:

<u>Installed Wire Length</u>	<u>Wire Size A.W.G.</u>
Up to 50 ft.	14
50-100 ft.	12

WARNING

Before assembling your ceiling fan, refer to section on proper method of wiring your fan (page 13). If you feel you do not have enough wiring knowledge or experience, have your fan installed by a licensed electrician.

2. Electrical Requirements

Your new Ceiling Fan will require a grounded electrical supply line of 120 Volts AC, 60 Hz, 15 Amp circuit.

The outlet box must be securely anchored and capable of withstanding a load of at least 50 pounds.

WARNING

To reduce the risk of fire, electric shock, or personal injury, mount fan to outlet box marked "Acceptable for Fan Support of 22.7 kg. (50 lbs.) or less", and use screws supplied with outlet box. Most outlet boxes commonly used for support of light fixtures are not acceptable for fan support and may need to be replaced. Consult a qualified electrician if in doubt.

If your Fan is to replace an existing ceiling light fixture, turn electricity off at the main fuse box at this time and remove the existing light fixture.

WARNING

Turning off wall switch is not sufficient. To avoid possible electrical shock, be sure electricity is turned off at the main fuse box before wiring. All wiring must be in accordance with National and Local codes and the ceiling fan must be properly grounded as a precaution against possible electrical shock.

WARNING

To avoid fire or shock, follow all wiring instructions carefully.
Any electrical work not described in these instructions should be done or approved by a licensed electrician.

3. Ceiling Fan Assembly

3.1

Slide a Blade through the Fan Motor Assembly Center Blade Slot.

Mount the Blade to Fan Motor Assembly using Three #8-32 x 11mm Washer Head Screws (supplied) (Figure 1).

NOTE: Take care not to scratch Fan Motor Assembly when installing Blades.

Complete the remaining Four Blades installation per the above instructions.

A spare #8-32 x 11mm Washer Head Screw is supplied in the loose parts bag, if needed.

⚠ WARNING

To reduce the risk of personal injury, do not bend the blades during installation, balancing the blades or cleaning the fan. Do not insert foreign objects in between rotating fan blades.

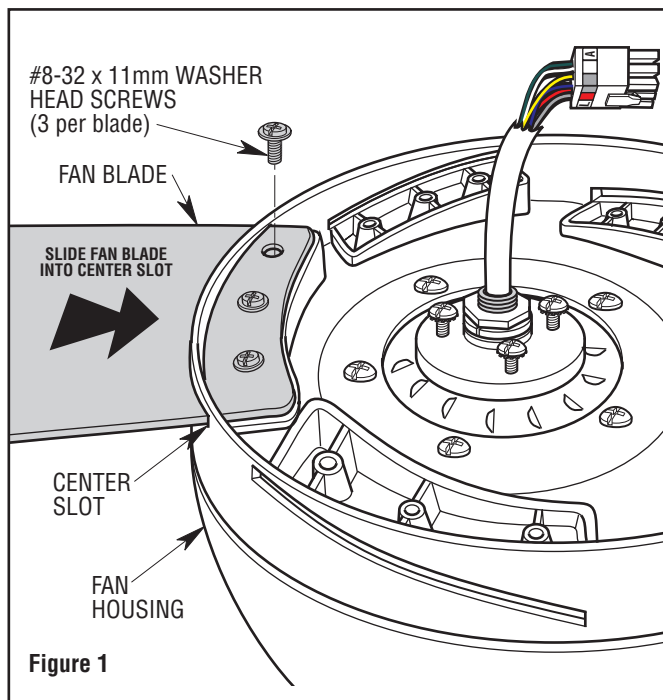


Figure 1

3.2

Remove One of the Three #6-32 x 3/8" Pan Head Screw with Lockwasher in the Fan Motor Assembly and loosen the remaining Two #6-32 x 3/8" Pan Head Screws with Lockwashers (Figure 2).

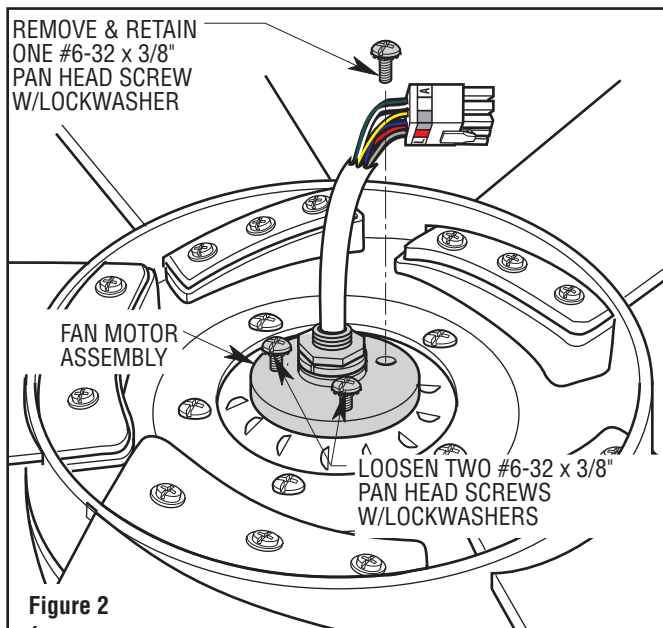
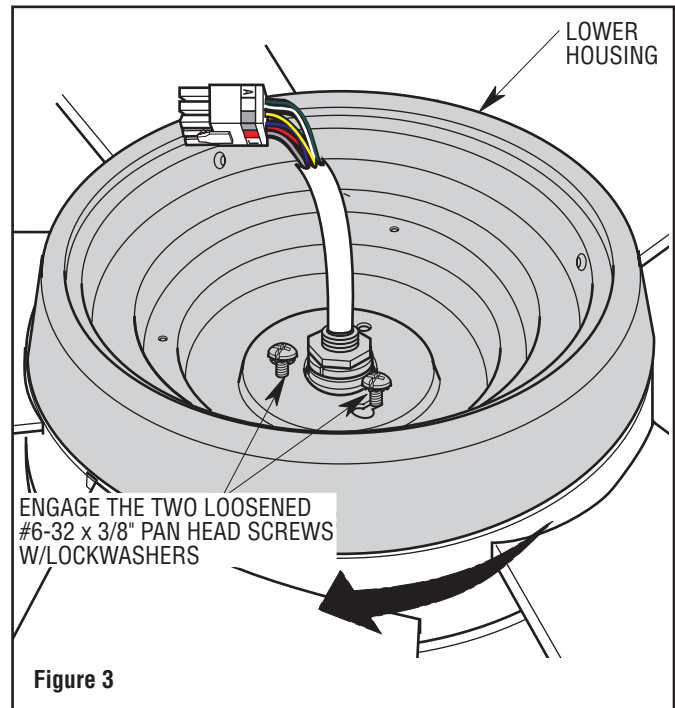


Figure 2

3. Ceiling Fan Assembly (Continued)

3.3

Position the Lower Housing onto the Fan Motor Assembly by rotating the Lower Housing Clockwise to engage the Two loosened #6-32 x 3/8" Pan Head Screws with Lockwashers in the Two Key Slots (Figure 3).



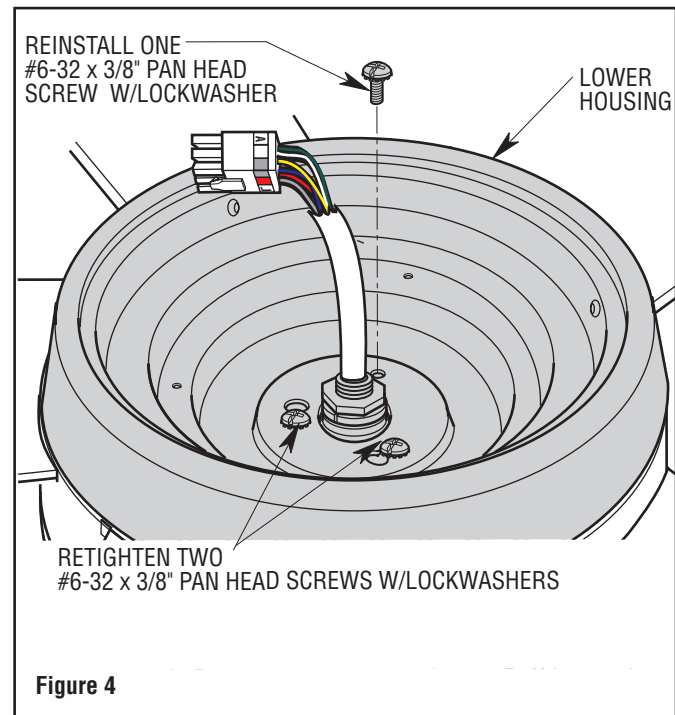
3.4

Reinstall the previously removed #6-32 x 3/8" Pan Head Screw with Lockwasher into the Lower Housing (Figure 4).

Secure the Lower Housing by tightening the Three 6-32 x 3/8" Pan Head Screws with Lockwashers (Figure 4).

A spare #6-32 x 3/8" Pan Head Screw with Lockwasher supplied in parts bag, if needed.

The LED Light Fixture Assembly will be installed during the Final Assembly, after Ceiling Fan is hung and wired.



3. Ceiling Fan Assembly (Continued)

3.5

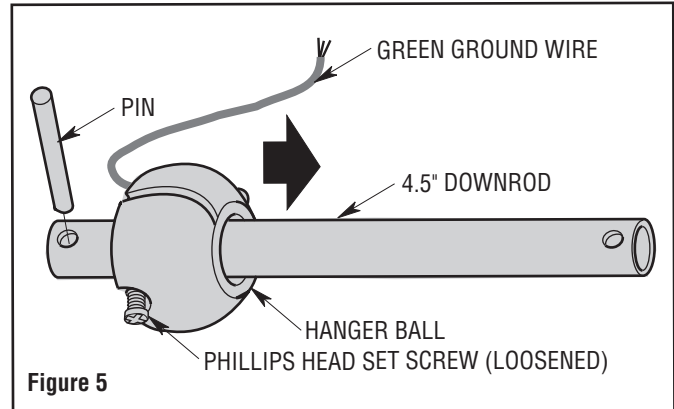
Carefully turn the partially assembled Ceiling Fan right side up and place the Fan securely into the packing styrofoam.

Remove the Hanger Ball by loosening the Phillips Head Set Screw in the Hanger Ball until the Ball falls freely down the 4.5" Downrod (Figure 5).

Remove the Pin from the 4.5" Downrod, then remove the Hanger Ball (Figure 5).

Retain the Pin and Hanger Ball for reinstallation in Step 3.12.

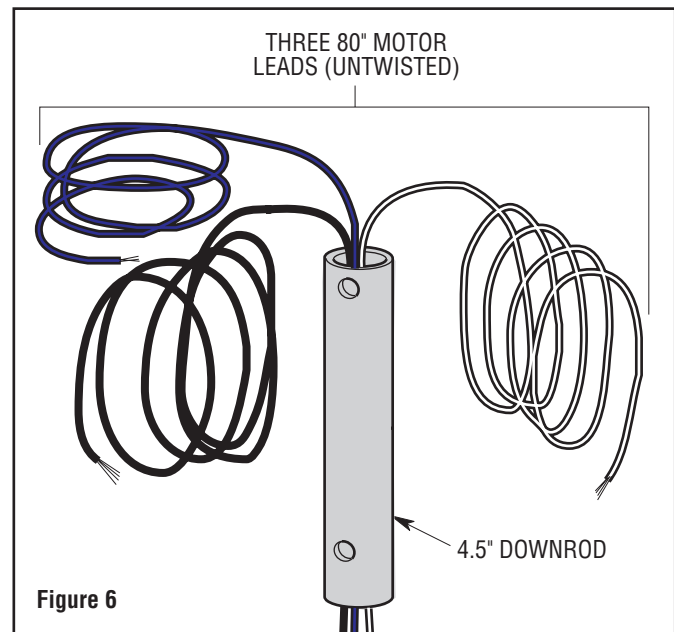
NOTE: Do not loosen the Screw that attaches the Green Ground Wire to the Hanger Ball.



3.6

Separate, untwist and unkink the Three 80" Motor Wires.

Route the Three 80" Black, Blue, and White Motor Wires through the 4.5" Downrod (Figure 6).



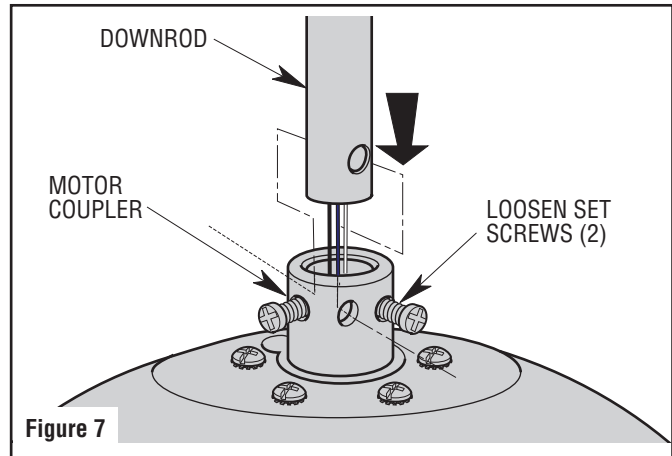
3. Ceiling Fan Assembly (Continued)

3.7

Loosen the Two Phillips Head Set Screws in the Motor Coupler for installation of the 4.5" Downrod (Figure 7).

Seat the 4.5" Downrod in the Motor Coupler (Figure 7).

Rotate and align the 4.5" Downrod holes with the Two Holes in the Motor Coupler (Figure 7).



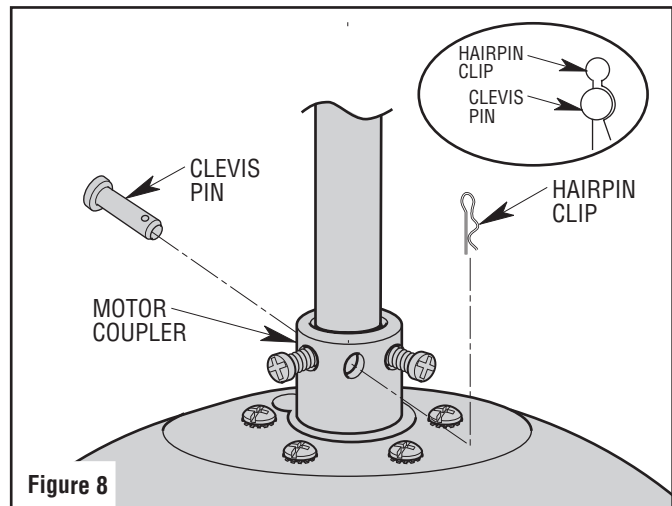
3.8

Install the Clevis Pin and secure with the Hairpin Clip (Figure 8).

The Clevis Pin must go through the Motor Coupler Holes. It is critical that the Clevis Pin is properly installed and secured with the Hairpin Clip.

⚠ WARNING

It is critical that the clevis pin is properly installed and secured with the hairpin clip. Failure to verify that the pin is properly installed could result in the fan falling.



3. Ceiling Fan Assembly (Continued)

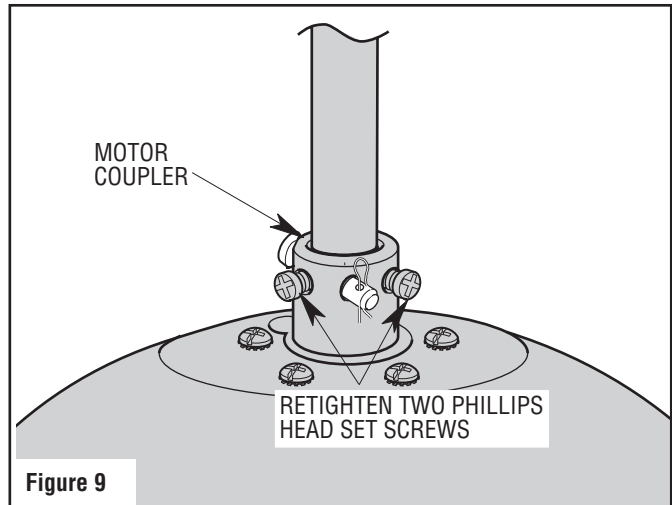
3.9

While pulling up on the 4.5" Downrod, retighten the Two Phillips Head Set Screws to secure the 4.5" Downrod in the Motor Coupler (Figure 9).

NOTE: The Set Screws must be properly installed as described above, or fan wobble could result.

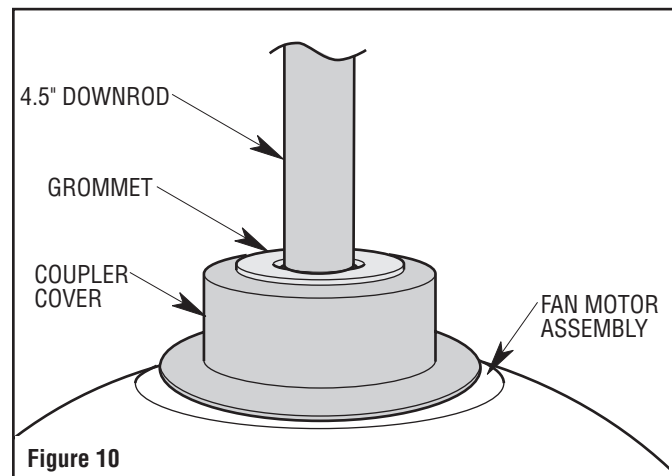
WARNING

It is critical that the set screws in the motor coupler are properly installed and securely tightened. Failure to verify that the set screws are properly installed could result in the fan falling.



3.10

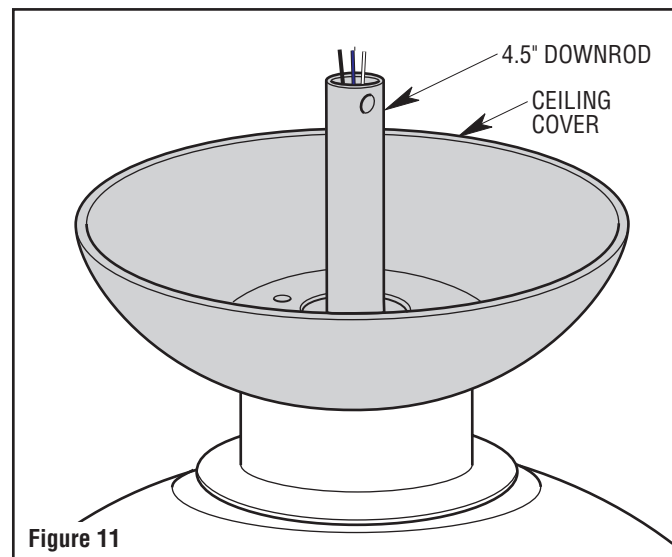
Make sure the Grommet is properly installed in the Coupler Cover, then slide the Coupler Cover on the 4.5" Downrod until it rests on the Fan Motor Assembly (Figure 10).



3.11

Place the Ceiling Cover over the 4.5" Downrod (Figure 11).

Be sure that the Ceiling Cover and the Coupler Cover are both oriented correctly (Figure 11).



3. Ceiling Fan Assembly (Continued)

3.12

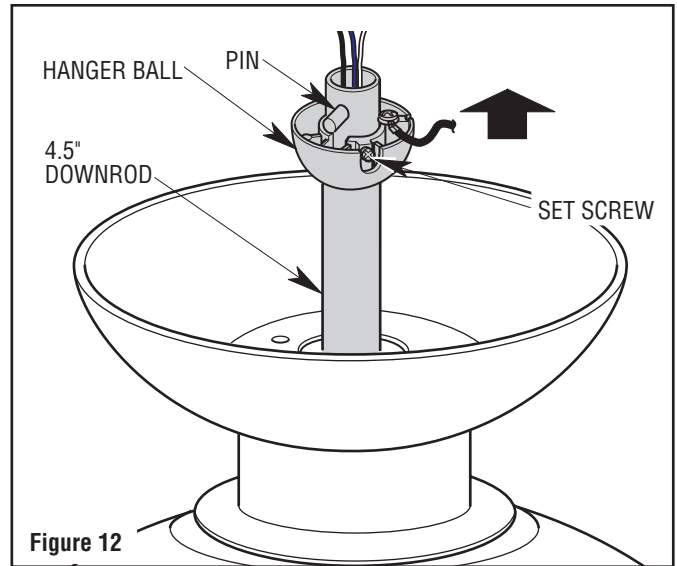
Route the three Motor Wires through the Hanger Ball (Figure 12).

Reinstall the Hanger Ball on the 4.5" Downrod as follows:

Position the Pin through the Two Holes in the 4.5" Downrod and align the Hanger Ball so the Pin is captured in the Groove in the top of the Hanger Ball (Figure 12).

Pull the Hanger Ball up tight against the Pin and securely retighten the Phillips Head Set Screw in the Hanger Ball (Figure 12).

A loose Phillips Head Set Screw could create fan wobble.

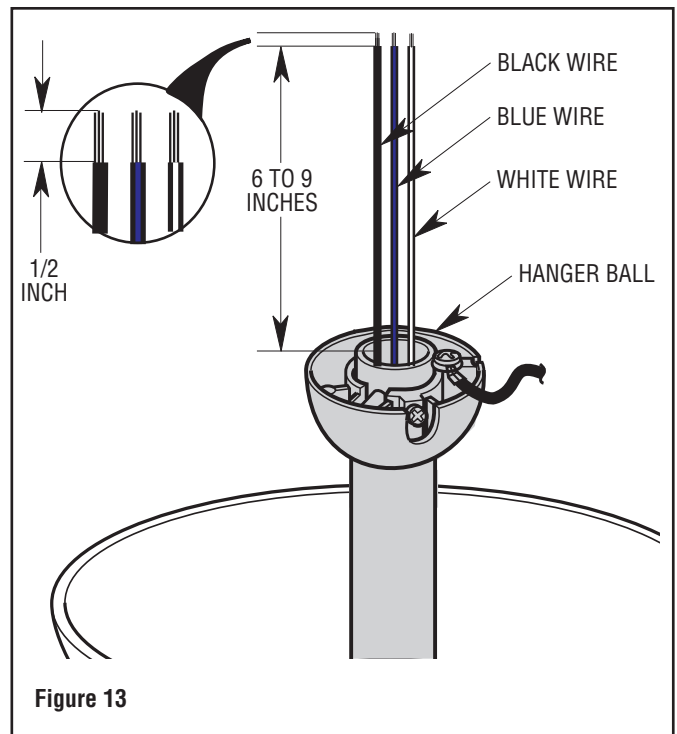


3.13

The Fan comes with Black, Blue and White Wires that are 80-inches long.

Before installing the Fan, measure up approximately 6 to 9-inches above top of Hanger Ball / Downrod Assembly (Figure 13).

Cut off excess Wires and strip back insulation 1/2-inch from end of Wires.



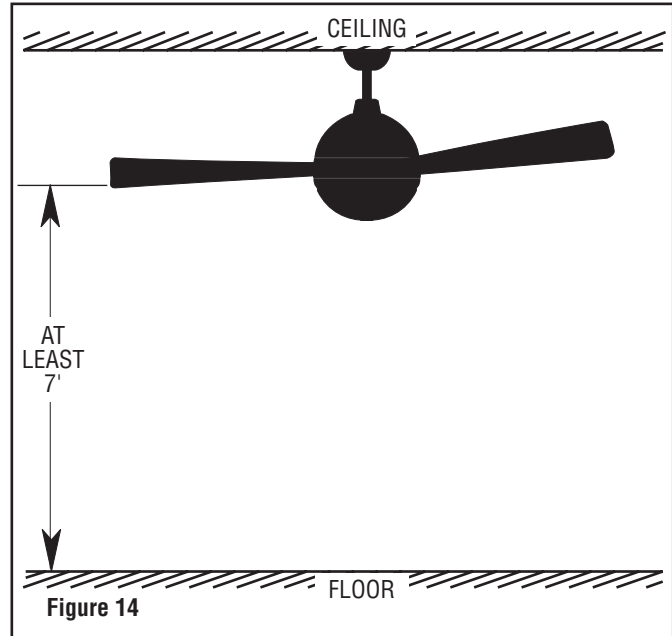
4. How to Hang Your Ceiling Fan

⚠ CAUTION

To reduce the risk of injury, install the fan so that the blades are at least 7 ft. (2.1m) above the floor (Figure 14).

⚠ WARNING

Turning off wall switch is not sufficient. To avoid possible electrical shock, be sure electricity is turned off at the main fuse box before wiring. All wiring must be in accordance with National and Local codes and the ceiling fan must be properly grounded as a precaution against possible electrical shock.

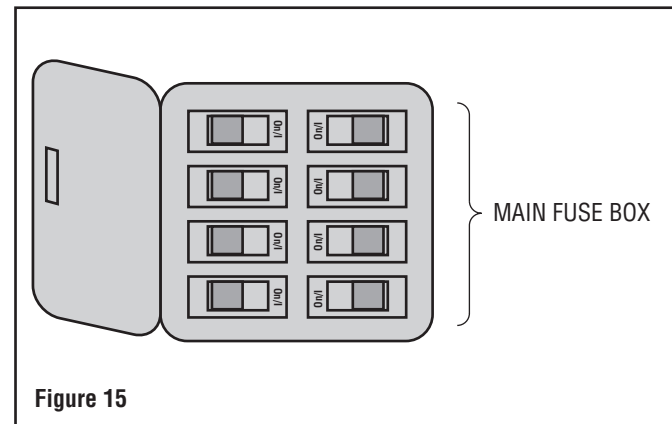


⚠ WARNING

The outlet box and joist must be securely mounted and capable of supporting at least 50 lbs. Use only a U.L. outlet box listed as “Acceptable for Fan Support of 22.7 kg. (50 lbs.) or less”.

⚠ WARNING

To reduce the risk of fire, electric shock, or personal injury, mount fan to outlet box marked “Acceptable for Fan Support of 22.7 kg. (50 lbs.) or less”, and use screws supplied with outlet box. Most outlet boxes commonly used for support of light fixtures are not acceptable for fan support and may need to be replaced. Consult a qualified electrician if in doubt.



4.1

Disconnect Electrical Power to the Branch Circuit at the Circuit Breaker or Fuse Box before attempting to install the Ceiling Fan Hanger Bracket on the Outlet Box (Figure 15).

4. How to Hang Your Ceiling Fan (Continued)

4.2

Securely attach the Hanger Bracket to the Outlet Box using the Two Screws supplied with the Outlet Box (Figure 16).

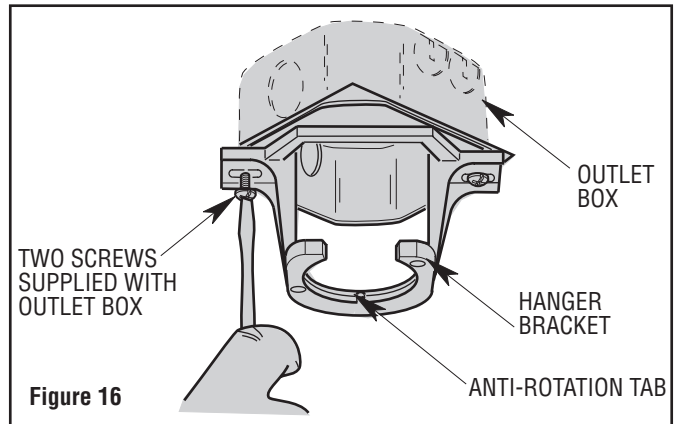


Figure 16

4.3

Carefully lift the Fan and seat the Hanger Ball/Downrod Assembly on the Hanger Bracket that was just attached to the Outlet Box (Figure 17).

Be sure the Groove in the Ball is engaged with the Anti-Rotation Tab on the Hanger Bracket (Figure 17).

⚠ WARNING

Failure to seat tab in groove could cause damage to electrical wires and possible shock or fire hazard.

⚠ WARNING

To avoid possible fire or shock, do not pinch wires between the hanger ball/downrod assembly and hanger bracket.

NOTE: CEILING COVER, SUPPLY WIRES AND FAN WIRES OMITTED FOR CLARITY.

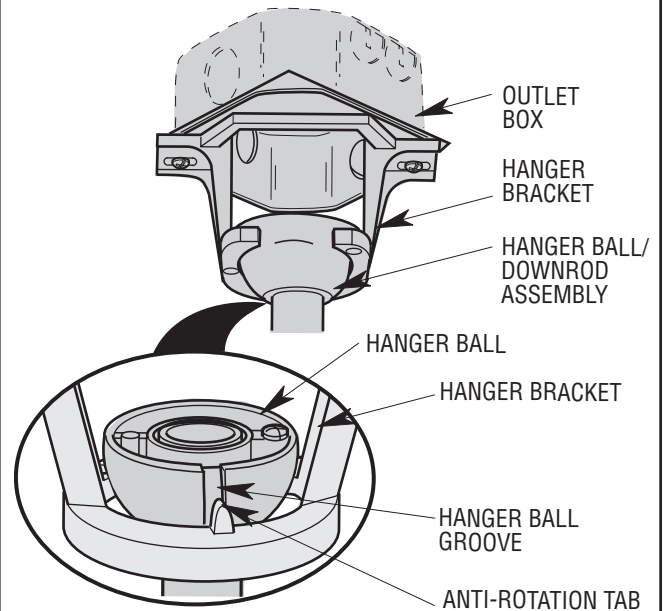


Figure 17

5. How to Wire Your Ceiling Fan

If you feel that you do not have enough electrical wiring knowledge or experience, have your fan installed by a licensed electrician.

⚠ WARNING

To avoid possible electrical shock, be sure electricity is turned off at the main fuse box before wiring.

NOTE: If you are not sure if the outlet box is grounded, contact a licensed electrician for advice, as it must be grounded for safe operation.

⚠ WARNING

Turning off wall switch is not sufficient. To avoid possible electrical shock, be sure electricity is turned off at the main fuse box before wiring. All wiring must be in accordance with National and Local codes and the ceiling fan must be properly grounded as a precaution against possible electrical shock.

5.1

CAUTION: To reduce the risk of electrical shock, disconnect the electrical supply circuit before installing the fan, light kit or receiver.

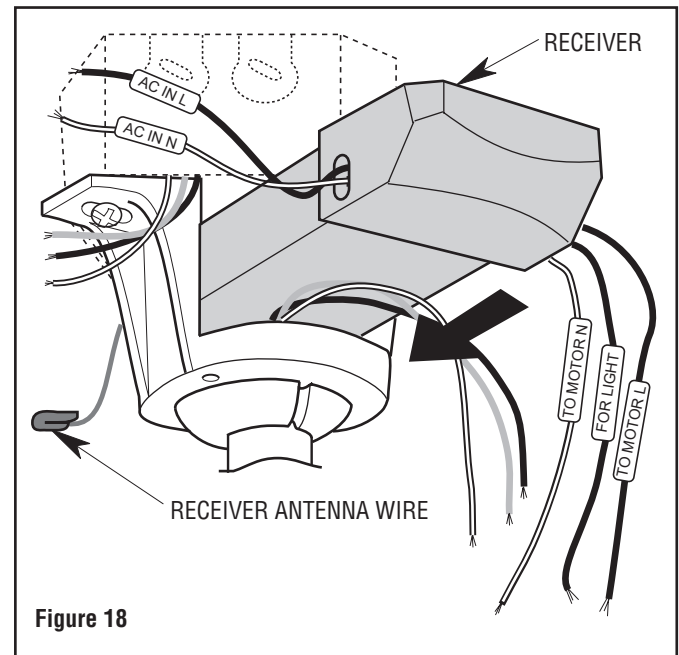
Disconnect Electrical Power to the Branch Circuit at the Circuit Breaker or Fuse Box before attempting to wire the Ceiling Fan.

5.2

Locate the Electronic Receiver and insert its Antenna Wire into the opening of the Hanger Bracket above the Hanger Ball. Continue to insert the body of the Receiver (flat side facing up) into the opening, orient as shown. Be careful not to pinch any wires between the Receiver body and the Bracket or Ball (Figure 18).

⚠ WARNING

To avoid possible fire or shock, do not pinch the antenna wire between the hanger bracket and the receiver.

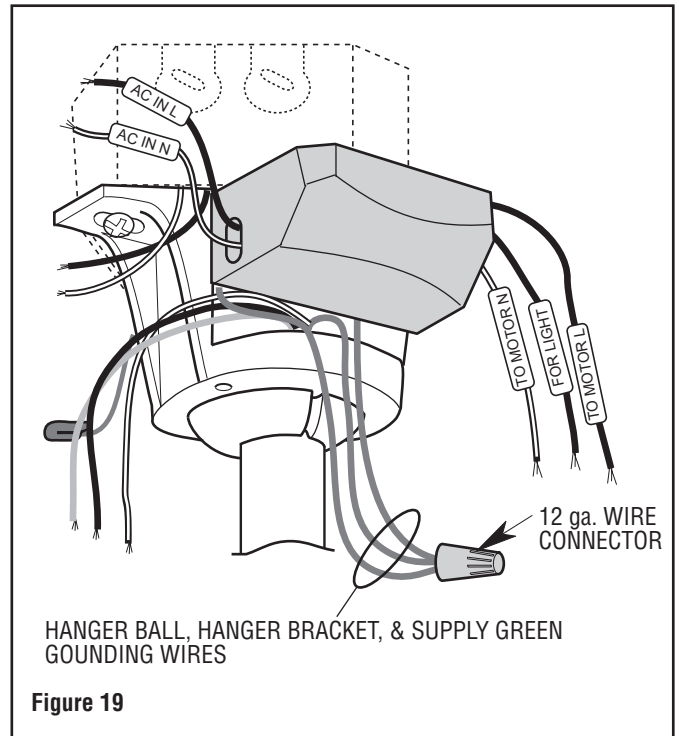


5. How to Wire Your Ceiling Fan (Continued)

5.3

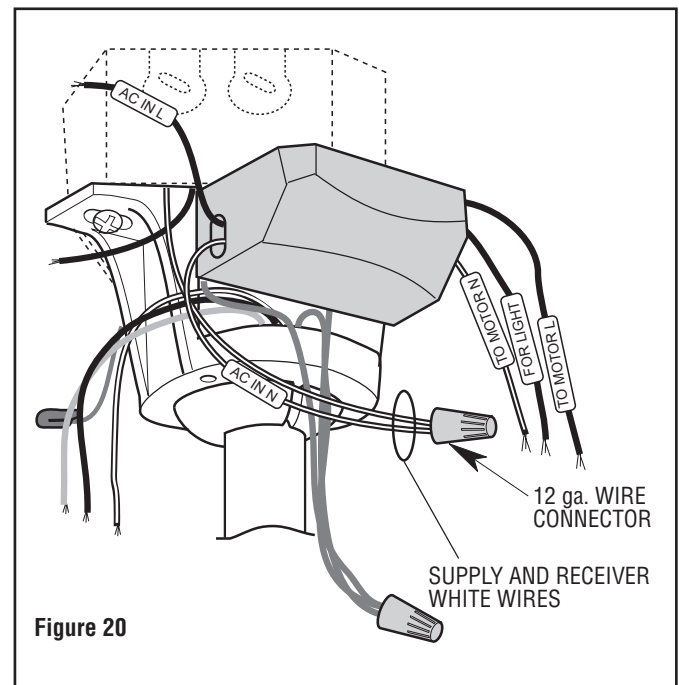
NOTE: Make all wiring connections using the wire connectors supplied in the hardware kit and receiver parts bag. Make sure that all connections are tight, including ground, and that no bare wire is visible at the wire connectors, except for the supply circuit ground wire.

Connect the Green Grounding Wire from the Hanger Ball and the Green Grounding Wire from the Hanger Bracket to the Grounding Conductor of Supply (this may be a bare wire or wire with Green Colored insulation). Securely connect Wires with the 12 ga. Wire Connector (supplied in parts bag) (Figure 19).



5.4

Securely connect the Receiver White Wire (AC IN N) to the Supply White Wire (neutral) using the 12 ga. Wire Connector (supplied in parts bag) (Figure 20).



5. How to Wire Your Ceiling Fan (Continued)

5.5

Securely connect the Receiver Black Wire (AC IN L) to the Supply Black Wire (hot) using the 12 ga. Wire Connector (supplied in parts bag) (Figure 21).

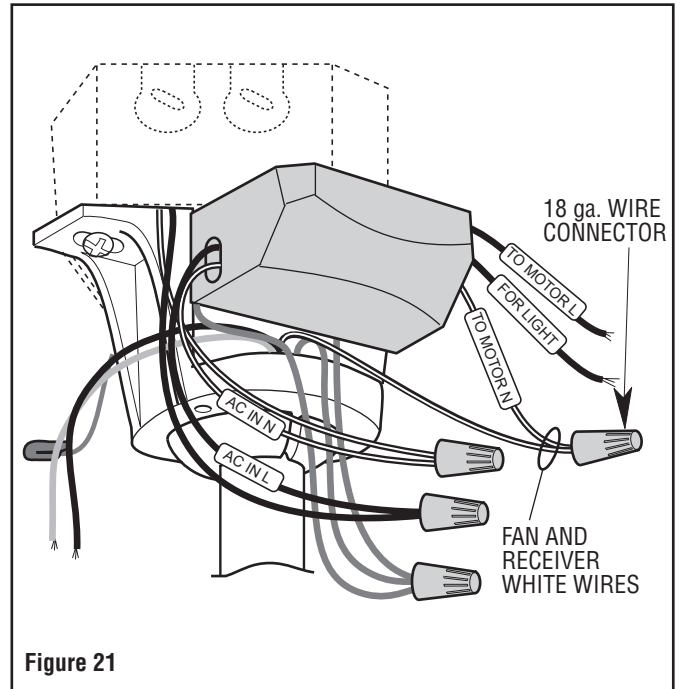


Figure 21

5.6

Securely connect the Receiver White Wire (TO MOTOR N) to the Fan Motor White Wire using the 18 ga. Wire Connector (supplied with the receiver) (Figure 22).

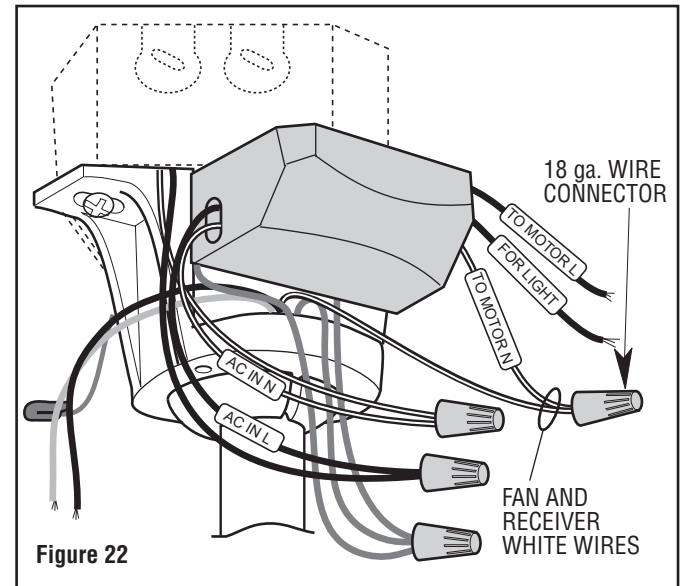


Figure 22

5. How to Wire Your Ceiling Fan (Continued)

5.7

Securely connect the Receiver Black Wire (TO MOTOR L) to the Fan Motor Black Wire using the 18 ga. Wire Connector (supplied with the receiver) (Figure 23).

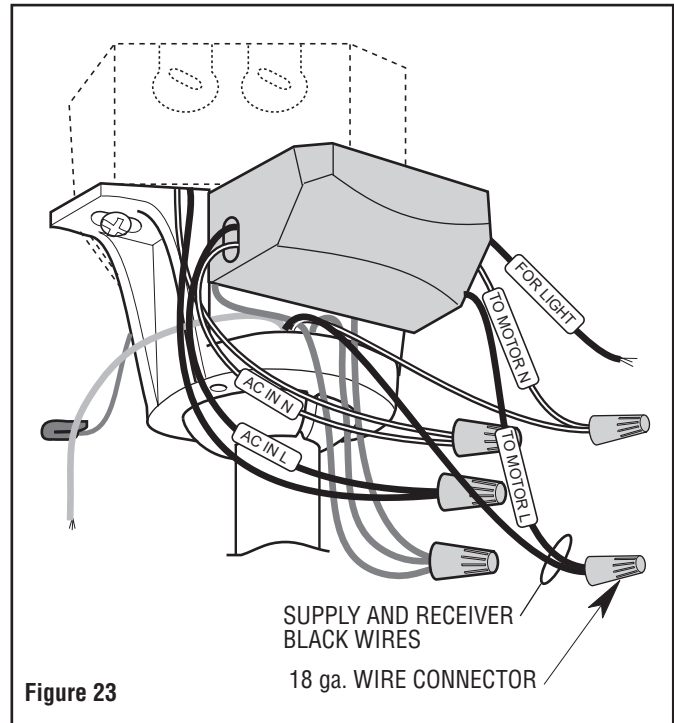


Figure 23

5.8

Securely connect the Receiver Blue Wire (TO LIGHT) to the Fan Motor Blue Wire using the 18 ga. Wire Connector (supplied with the receiver) (Figure 24).

Position the Antenna Wire on top of the Receiver. Slide the Receiver completely onto the Hanger Ball, nestled in the Hanger Bracket (Figure 24).

⚠ WARNING

Check to see that all connections are tight, including ground, and that no bare wire is visible at the wire connectors, except for the supply circuit ground wire. Do not operate fan until blades are in place. Noise and fan damage could result.

NOTE: Failure to properly connect the Receiver Wires will damage the device and render it non-operable.

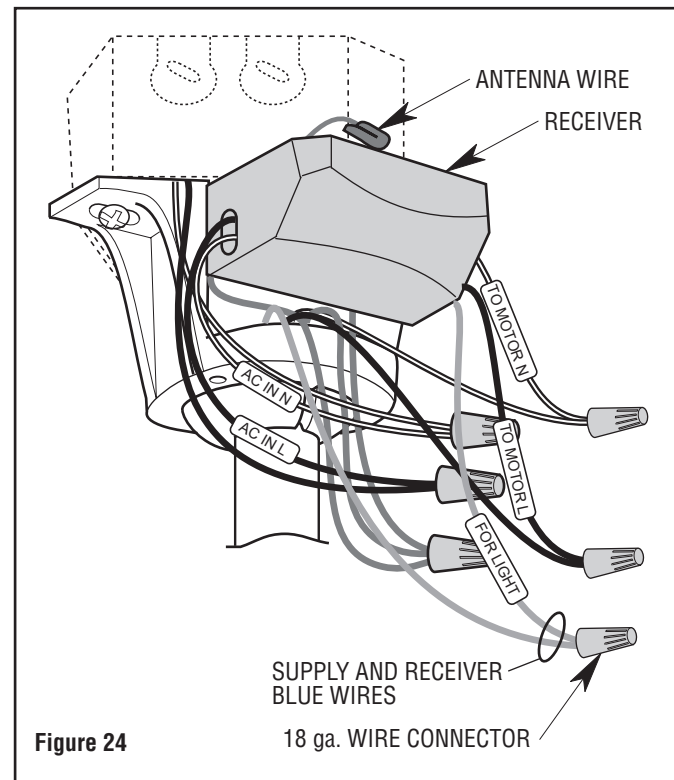
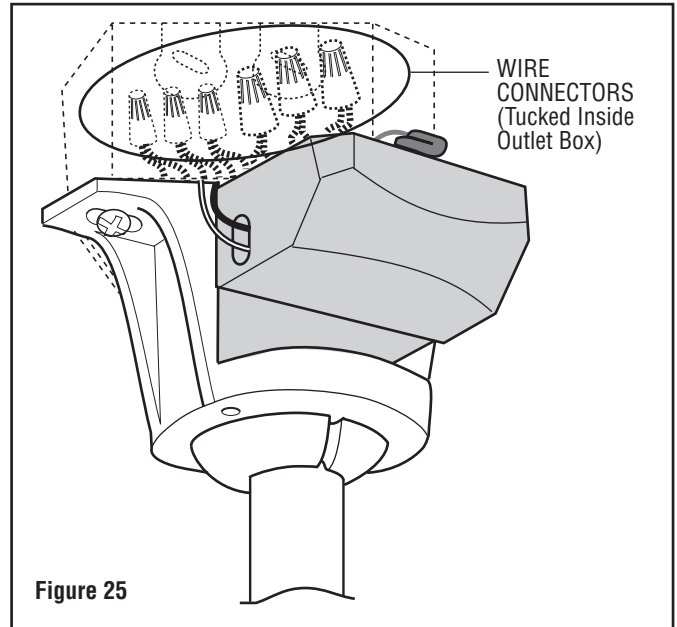


Figure 24

5. How to Wire Your Ceiling Fan (Continued)

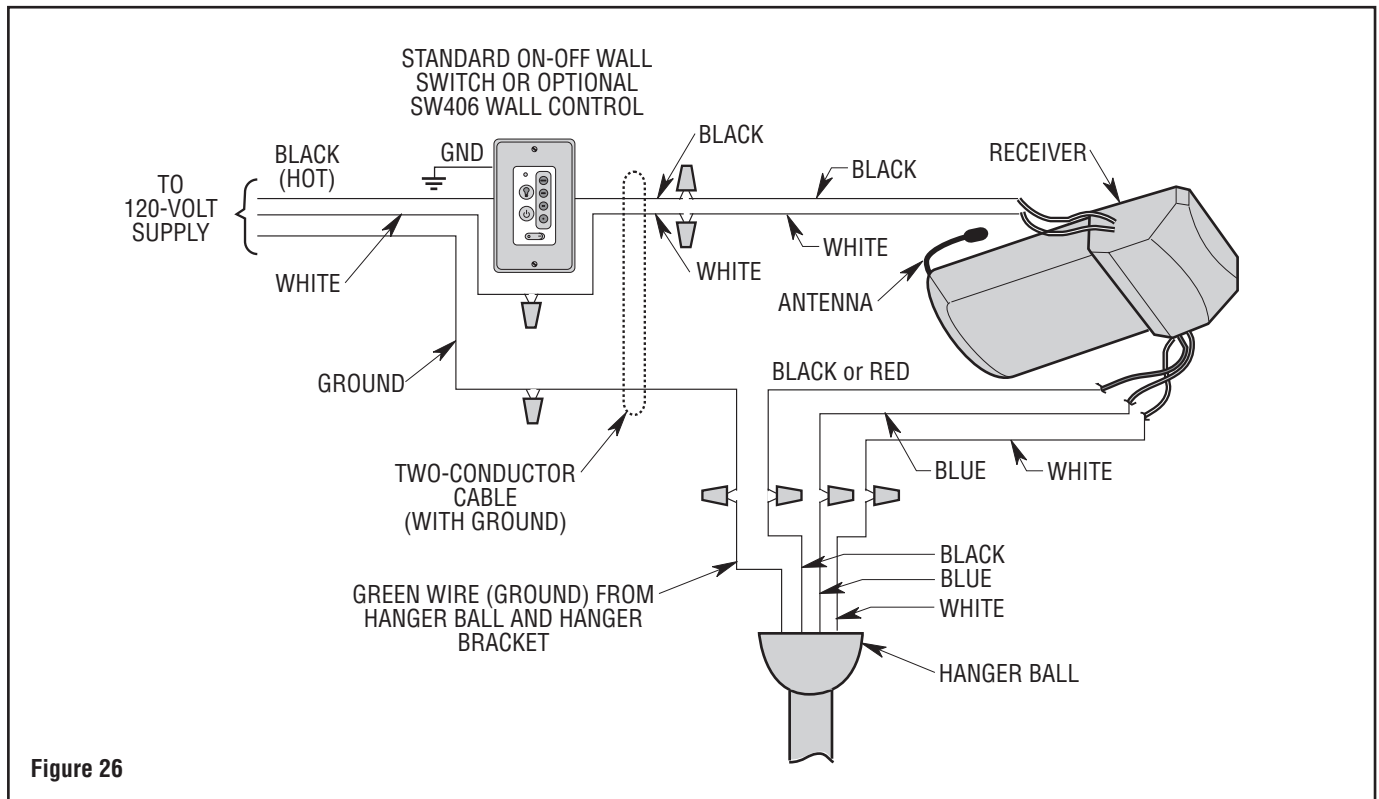
5.9

While inserting the Receiver fully into the Hanger Bracket, turn Wires upward and carefully push Wires into the Outlet Box, with the White and Green Wires on one side of the Outlet Box and position the Black and Blue Wires on the other side of the Outlet Box (Figure 25).



5.10

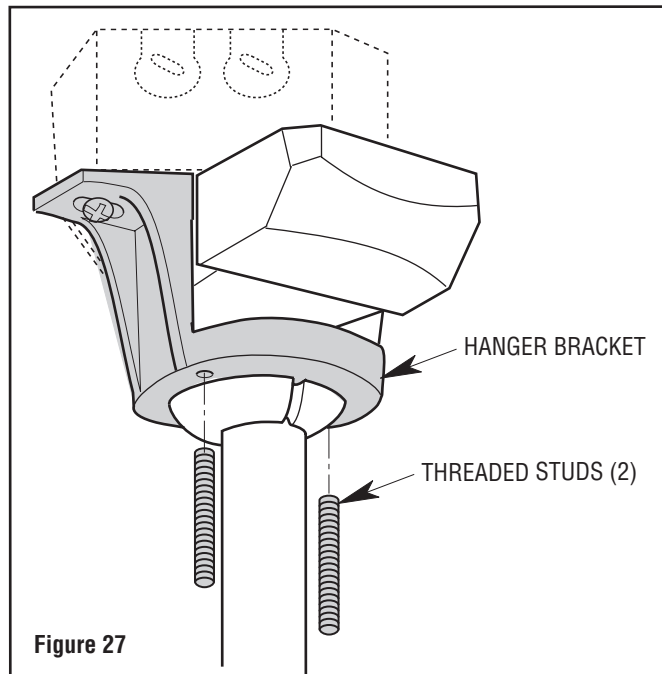
Wiring Schematic for reference (Figure 26).



6. Final Assembly

6.1

Screw the 1-1/4" Threaded Studs into the Threaded Holes on the bottom of the Hanger Bracket with your fingers (Figure 27).



6.2

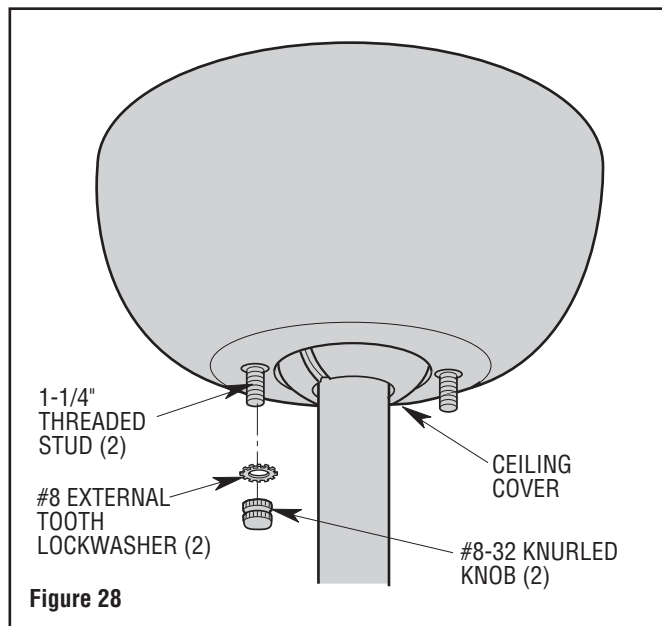
Lift the Ceiling Cover up to the Threaded Studs and turn until Studs protrude through the holes in the Ceiling Cover (Figure 28).

Secure the Ceiling Cover in place by sliding Lockwashers over the Threaded Studs and installing the two Knurled Knobs (supplied). (Figure 28).

Tighten the Knurled Knobs securely until the Ceiling Cover fits snugly against the ceiling and the hole in the Ceiling Cover is clear of the Downrod.

WARNING

To avoid possible fire or shock, make sure that the electrical wires are completely inside the outlet box and not pinched between the ceiling cover and the ceiling.



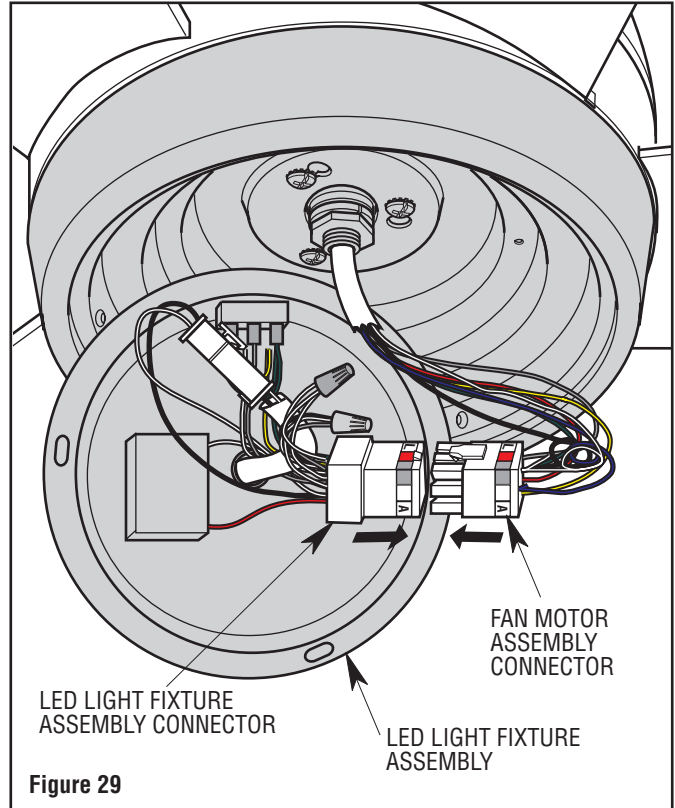
6. Final Assembly (Continued)

6.3

The two Connectors are Keyed and Color-Coded and must be mated correctly (color-to-color) before they can be engaged (L to L and A to A), as follows:

Engage the Fan Motor Assembly Color-Coded Connector to the LED Light Fixture Assembly Color-Coded Connector (Figure 29).

Make sure the Connector Latches closes properly (Figure 29).

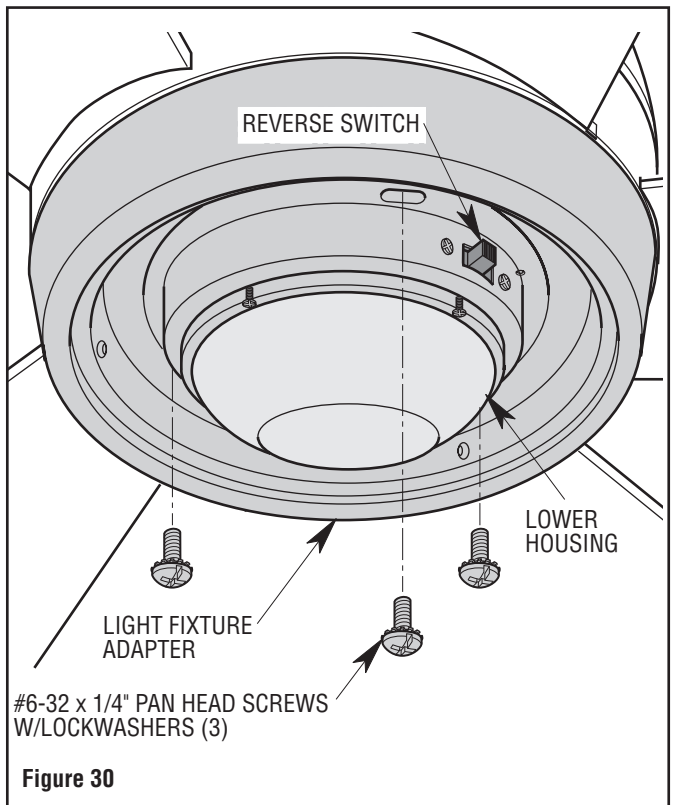


6.4

Position the LED Light Fixture Assembly on the Lower Housing, aligning the Three Holes.

Secure the LED Light Fixture Assembly by installing and tightening the Three #6-32 x 1/4" Pan Head Screws with Lockwashers (supplied) (Figure 30).

A spare #6-32 x 1/4" Pan Head Screw with Lockwasher supplied in parts bag, if needed.



6. Final Assembly (Continued)

6.5

Place the Shade into the opening in the Lower Housing, aligning the Three Flat Areas on the top edge of the Shade with the Lower Housing Three Raised Dimples and turn the Shade Clockwise until it stops (Figure 31).

NOTE: Periodically check that the Shade is seated fully clockwise in the Lower Housing.

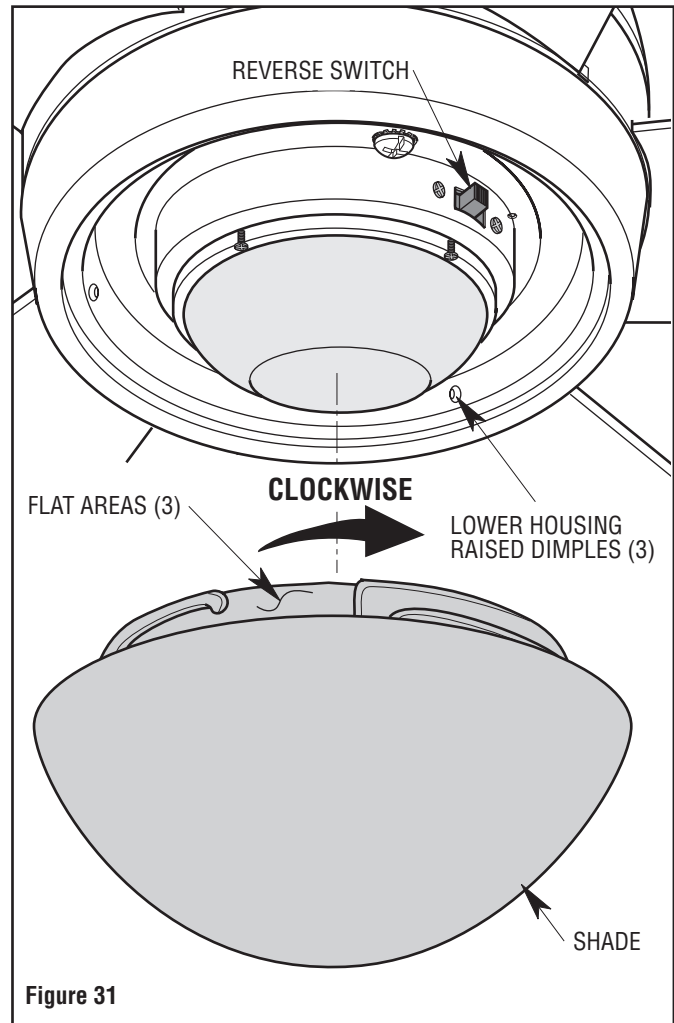


Figure 31

7. Remote Control Procedures

WARNING

Fan installation must be completed, including the installation of the fan blades, before testing the remote control.

7.1: Preset Memory Feature

Your Ceiling Fan consists of a Hand-Held Remote Control Transmitter and a Receiver which is mounted under the Fan Ceiling Cover.

Your Receiver is equipped with a preset memory feature. If the AC supply to the Receiver is powered through a Wall Switch, when the Switch is turned OFF, the Control will remember the Light Intensity and Fan Speed.

When the Switch is turned back ON the Light and Fan will resume operation as they were prior to the Switch being turned OFF.

7. Remote Control Procedures (Continued)

7.2: Installation of Batteries

The Remote Control Transmitter is powered by two AAA Alkaline Batteries.

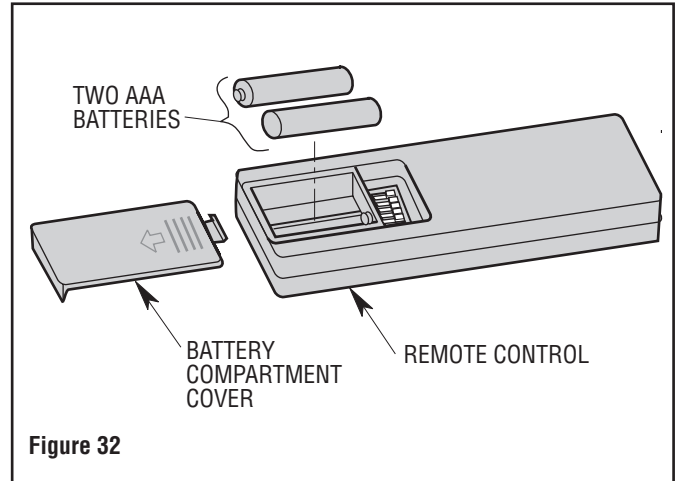
To prevent possible battery leakage damage, be sure to remove the Batteries when the Control is not to be used for an extended period of time.

Remove the Battery Cover by pressing firmly below the arrow and sliding the Cover off the Remote Control.

Install two new AAA Alkaline Batteries into the Battery Compartment following the correct Battery placement printed on the Compartment (Figure 32).

NOTE: Never use old and new Batteries together in unit.

Replace the Battery Compartment cover by sliding the Cover back onto the Remote Control.



7.3: Setting Operating Frequency of Remote Control

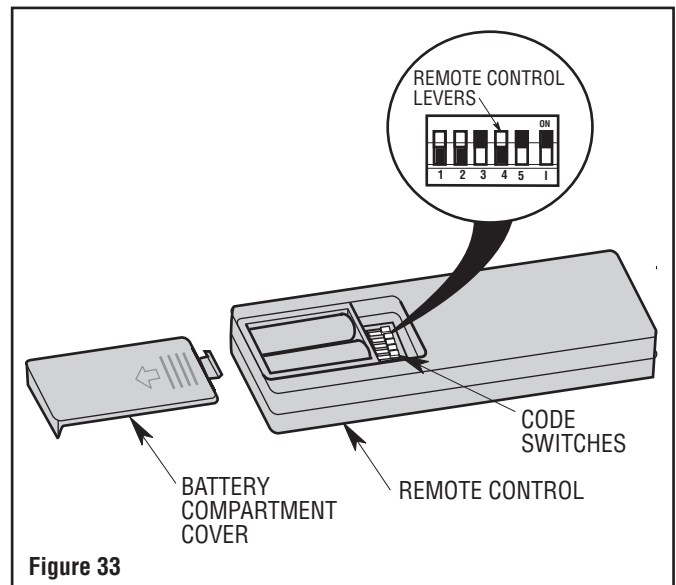
Remove the Battery Cover by pressing firmly below the arrow and sliding the Cover off the Control (Figure 33).

Your Remote Control has Code Switches which must be set in one of 32 possible code combinations.

The five levers (numbered 1, 2, 3, 4, and 5) on the switches are factory-set in the ON (up) position. Change the Switch settings as follows:

Slide the five Switch Levers in the Remote Control to your choice of ON (up) or down positions. Use a ball-point pen or small screwdriver and slide the Levers firmly up or down (Figure 33).

The sixth Switch marked ON and I is for dimming control of lights: Set Switch to ON to allow for dimming of the lights. Set Switch to I for no dimming of the lights.



NOTE: If your Fan and Light go on and off without using your Control, you may be getting interference from other remote units such as garage door openers, car alarms or security systems.

To remedy this situations, simply change the combination code in your Remote Control Transmitter.

7. Remote Control Procedures (Continued)

FOR FANS WITH PULL CHAINS: For your Fan/Light Control to operate properly, the Fan Pull Chain Switch must be set to operate the Fan at HIGH Speed, and the Light Kit must be switched to ON position. To avoid accidental Pull Chain use, shorten Chains.

7.4

When power is restored, push and hold the Fan OFF Button (⏻) for 3 to 5 Seconds to set the Code in the Receiver (Figure 34).

NOTE: The Ceiling Fan Lights (if installed) will Blink to indicate the Transmitter has been paired with the Receiver.

To turn the Ceiling Fan OFF, press and release the Fan OFF Button (⏻).

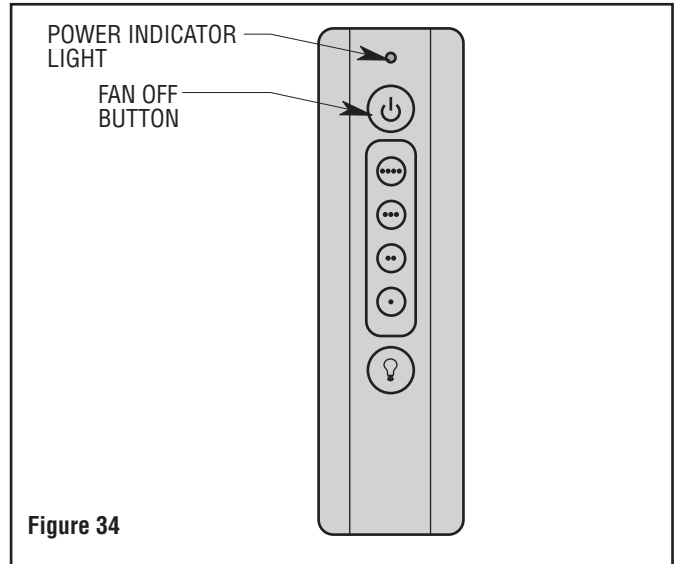


Figure 34

7.5

The Remote Control is designed to separately control your Ceiling Fan Speed and Light Intensity (Figure 35).

There are Four Push Buttons (•, **, ***, ****) to set the Fan Speed.

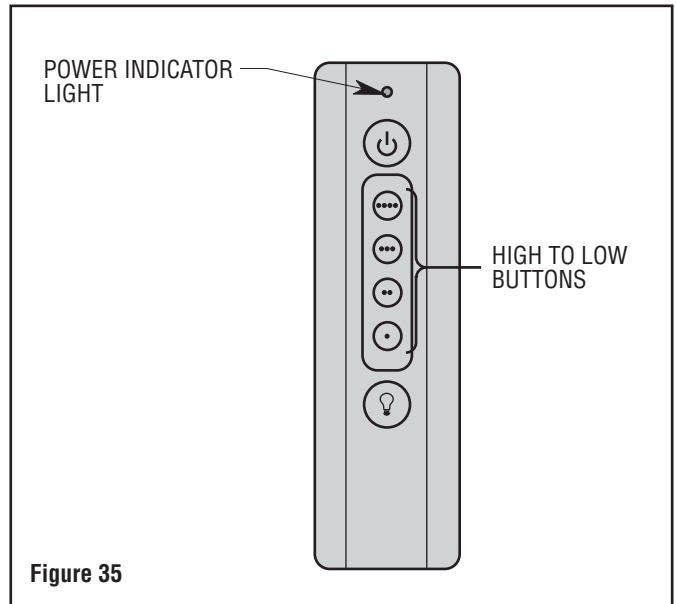
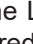


Figure 35

7. Remote Control Procedures (Continued)

7.6

The Light Push Button () turns the Light ON and OFF and controls the Light Intensity (Figure 36).

To vary the Intensity of the Light, hold the Light Button () down until the desired Light Intensity is reached, then release the Button (Figure 36).

NOTE: When turning the light on, light will turn on at the light intensity previously selected.

Your Remote Control has full control of your Fan and Light.

The Power Indicator Light (blue glow) will illuminate while any Button is pressed, indicating that the Battery is good.

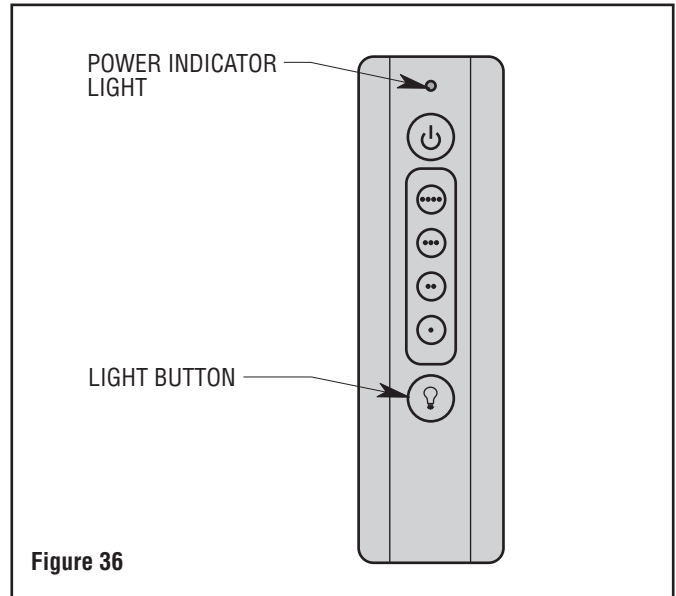


Figure 36

7.7: Storage Bracket Installation

A Storage Bracket is provided for holding your Remote Control when not in use. If you desire to use the Bracket, install it on a Wall that is away from excess heat or humidity.

Slide the Wall Bracket Cover up to expose the Screw Holes for installation (Figure 37).

Position the Bracket on the Wall in desired location.

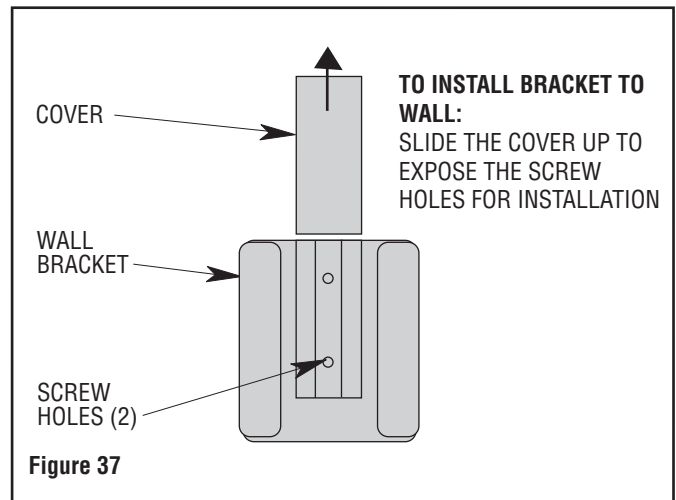


Figure 37

7.8

Install the Two Screws (provided with bracket) into the Wall Bracket and tighten to secure to Wall (Figure 38).

Slide the Wall Bracket Cover back down over the Screws.

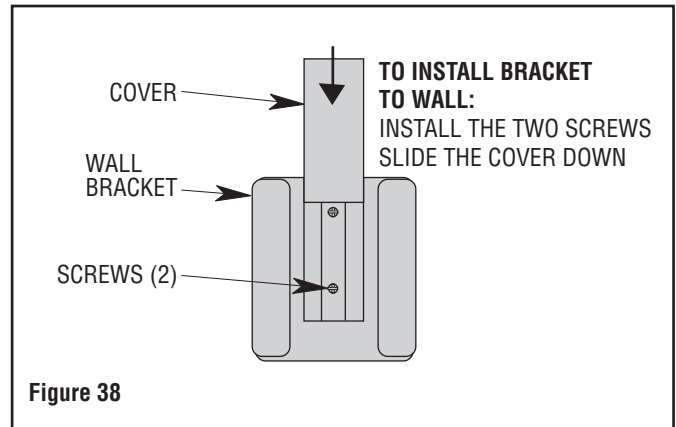


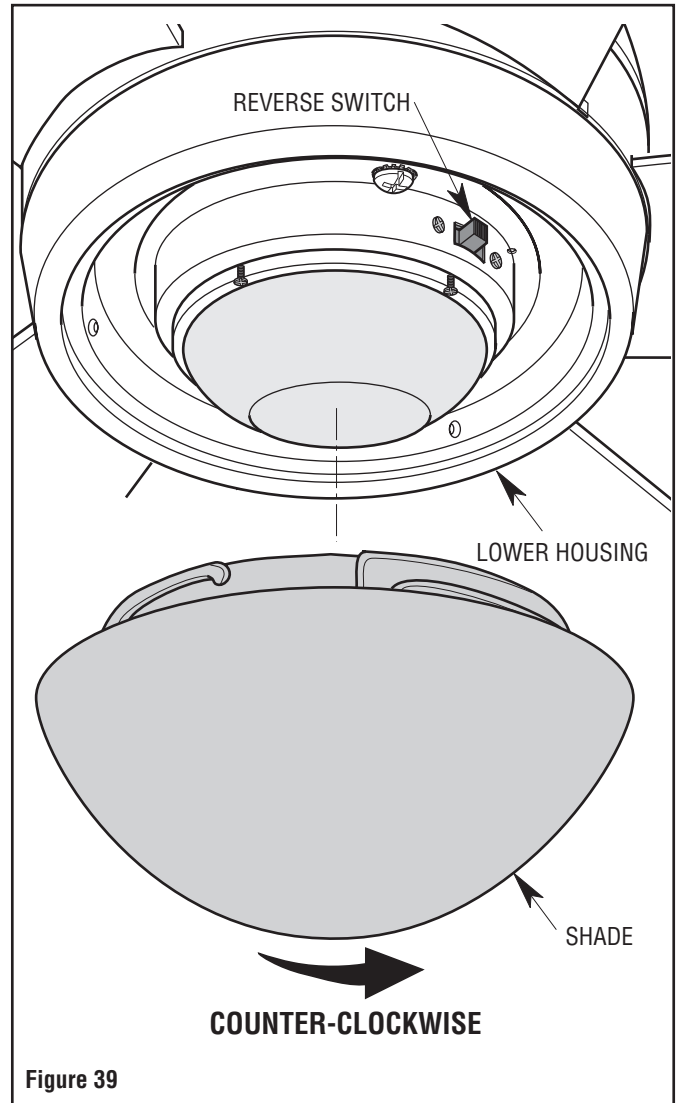
Figure 38

8. Reverse Switch Operation

8.1

Turn the Shade Counter-Clockwise and remove it from the Lower Housing (Figure 39).

Retain the Shade for reassembly in Step 8.3.



8. Reverse Switch Operation (Continued)

8.2

Slide the Reverse Switch (located on the side of the LED Light Fixture Assembly) to the opposite position, and turn the Ceiling Fan ON again (Figure 40).

The Fan Blades will turn in the opposite direction and reverse the airflow.

During Summer Months, run the Fan Counter-Clockwise, as you look up at it, to direct airflow downward.

During the Winter Months, run the Fan Clockwise, as you look up at it, to direct airflow upward.

If airflow is desired in the opposite direction, turn the Ceiling Fan OFF and wait for the Blades to stop turning.

Reverse Switch Information

Season	Blade Rotation Direction
Summer	Counter-Clockwise
Winter	Clockwise

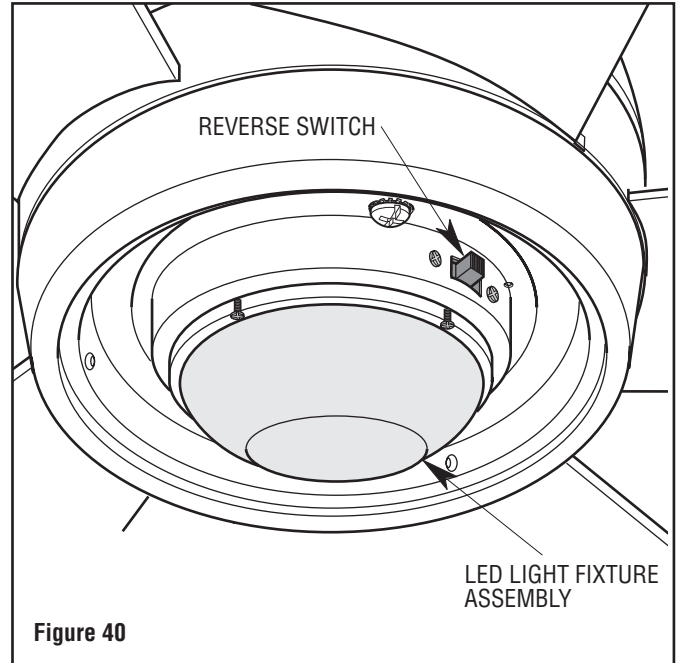


Figure 40

8.3

Replace the Shade into the opening in the Lower Housing, aligning the Three Flat Areas on the top edge of the Shade with the Lower Housing Three Raised Dimples and turn the Shade Clockwise until it stops (Figure 41).

NOTE: Periodically check that the Shade is seated fully clockwise in the Lower Housing.

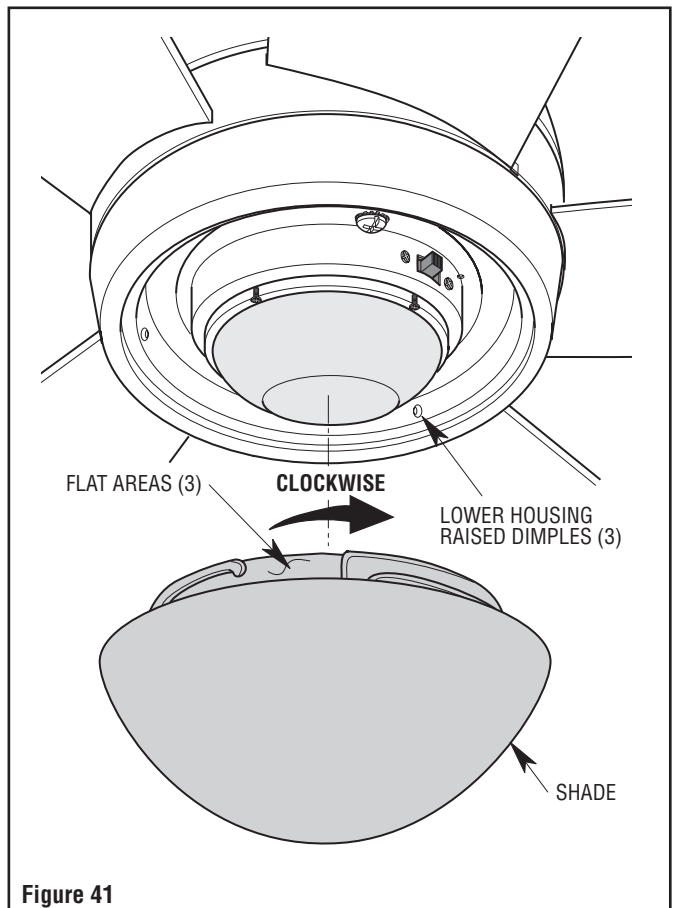


Figure 41

9. Energy Efficient Use of Ceiling Fans

Ceiling Fan performance and energy savings rely heavily on the proper installation and use of the Ceiling Fan. Here are a few tips to ensure quality and product performance.

Choosing the Appropriate Mounting Location.

Ceiling Fans should be installed, or mounted, in the middle of the room and at least 7 feet above the floor and 18 inches from the walls. If ceiling height allows, install the Fan 8 - 9 feet above the floor for optimal airflow. Consult your Luminance Brands Retailer for optional mounting Accessories.

Using the Ceiling Fan Year Round. In the summer, use the Ceiling Fan in the counter-clockwise direction. The airflow produced by the ceiling fan creates a wind-chill effect, making you "feel" cooler. Select a fan speed that provides a comfortable breeze, lower speeds consume less energy. In the winter, reverse the motor and operate the Ceiling Fan at low speed in the clockwise direction. This produces a gentle updraft, which forces warm air near the ceiling down into the occupied space. Remember to adjust your thermostat when using your Ceiling Fan - additional energy and dollar savings could be realized with this simple step!

Turn Off When Not in the Room. Ceiling Fans cool people, not rooms. If the room is unoccupied, turn OFF the Ceiling Fan to save energy.

INSTRUCTION TO THE USER (if device contains a digital device)

This equipment has been tested and found to comply with the limits for a class B digital device, pursuant to part 15 of the FCC Rules. These limits are designed to provide reasonable protection against harmful interference in a residential installation. This equipment generates, uses and can radiate radio frequency energy and if not installed and used in accordance with the instructions, may cause harmful interference to radio communications. However, there is no guarantee that interference will not occur in a particular installation. If this equipment does cause harmful interference to radio or television reception, which can be determined by turning the equipment off and on, the user is encouraged to try to correct the interference by one or more of the following measures:

- Reorient or relocate the receiving antenna.
- Increase the separation between the equipment and receiver.
- Connect the equipment into an outlet on a circuit different from that to which the receiver is connected.
- Consult the dealer or an experienced radio/TV technician for help.

This equipment has been certified to comply with the limits for a class B computing device, pursuant to FCC Rules. In order to maintain compliance with FCC regulations, shielded cables must be used with this equipment. Operation with non-approved equipment or unshielded cables is likely to result in interference to radio and TV reception. The user is cautioned that changes and modifications made to the equipment without the approval of manufacturer could void the user's authority to operate this equipment.

This Class B digital apparatus meets all requirements of the Canadian Interference-Causing Equipment Regulations.

10. Maintenance

IMPORTANT CARE INSTRUCTIONS for your Ceiling Fan

Periodic cleaning of your new ceiling fan is the only maintenance that is needed.

When cleaning, use only a soft brush or lint free cloth to avoid scratching the finish.

Abrasive cleaning agents are not required and should be avoided to prevent damage to finish.

▲ WARNING

Do not use water when cleaning your ceiling fan. It could damage the motor or the blades and create the possibility of an electrical shock.

11. Troubleshooting

▲ WARNING

FOR YOUR OWN SAFETY TURN OFF POWER AT FUSE BOX OR CIRCUIT BREAKER BEFORE TROUBLESHOOTING YOUR FAN.

TROUBLE	PROBABLE CAUSE	SUGGESTED REMEDY
1. Fan will not start.	<ol style="list-style-type: none"> 1. Fuse or Circuit Breaker blown. 2. Loose power line connections to the Fan. 3. Reverse Switch in Neutral position. 4. Wall Switch is OFF. 	<ol style="list-style-type: none"> 1. Check Main and Branch Circuit Fuses or Circuit Breakers. <div style="border: 1px solid black; padding: 5px; text-align: center;"> <p>▲ WARNING</p> <p>Make sure main power is turned OFF.</p> </div> <ol style="list-style-type: none"> 2. Shut off the Branch Circuit Electricity at the Fuse Box or Breaker Panel and check the Receiver Electrical Connectors for proper installation. 3. Make sure Reverse Switch position is all the way to one side. 4. Turn Wall Switch ON.
2. Fan sounds noisy.	<ol style="list-style-type: none"> 1. Blades not attached to Fan. 2. Screws securing Fan Blades to Motor are loose. 3. Loose Screws in Motor Housing. 	<ol style="list-style-type: none"> 1. Attach Blades to Fan before operating. 2. Check to make sure the Screws which attach the Blades to the Motor are tight. <div style="border: 1px solid black; padding: 5px; text-align: center;"> <p>▲ WARNING</p> <p>Make sure main power is turned OFF.</p> </div> <ol style="list-style-type: none"> 3. Check to make sure all Screws in Motor Housing are snug (Not Over-Tight).
3. Fan wobbles excessively.	<ol style="list-style-type: none"> 1. Set Screws in Motor Coupler are not tightened securely. 2. Set Screw in the Hanger Ball/Downrod Assembly is loose. 3. Screws securing Fan Blades to Motor are loose. 4. Fan Blades are not seated properly. 5. Hanger Bracket and/or Ceiling Outlet Box is not securely fastened. 6. Fan Blades out of balance. 	<ol style="list-style-type: none"> 1. Raise Coupler Cover and tighten Set Screws securely. 2. Tighten the Set Screw in the Hanger Ball/Downrod Assembly. 3. Check to be sure Screws which attach the Fan Blades to the Motor are tight. 4. Check to be sure that the Screws securing the Fan Blades seat firmly. 5. Tighten the Hanger Bracket Screws to the Outlet Box, and/or secure Outlet Box. 6. Interchanging an adjacent (side by-side) Blade pair can redistribute the weight and result in smoother operation. Or use supplied Balancing Kit to balance Blades.
4. LED Light Fixture will not illuminate.	<ol style="list-style-type: none"> 1. Loose Electrical Connectors. 2. Remote Control Battery is weak. 3. Wall Switch is OFF. 	<ol style="list-style-type: none"> 1. Shut off the Branch Circuit Electricity at the Fuse Box or Breaker Panel and check the Receiver Electrical Connectors for proper installation. 2. Replace the AAA Remote Control Batteries. 3. Turn Wall Switch ON.

Parrot  Uncle