

DR.FISH POSEIDON SPINNING REEL

OWNER'S MANUAL

Model	Gear Ratio	Ball Bearings	Line Capacity	Max Drag.
PD 1000	5.1:1	9+1	Lb/Yd: 4/360 6/270 10/170 mm/m:0.19-300 0.21-400 0.26-153	6kg/13Lb
PD 2000	5.1:1	9+1	Lb/Yd: 6/330 8/245 12/175 mm/m:0.21-300 0.24-220 0.28-157	6kg/13Lb
PD 3000	5.1:1	9+1	Lb/Yd: 8/330 10/220 16-165 mm/m:0.24-260 0.28-200 0.33-150	8kg/18Lb
PD 4000	5.1:1	9+1	Lb/Yd: 12/300 16/220 18-180 mm/m:0.28-270 0.33-200 0.37-160	8kg/18Lb
PD 5000	5.1:1	9+1	Lb/Yd: 18/260 24/220 28-185 mm/m:0.37-235 0.40-200 0.43-165	10kg/22Lb
PD 6000	5.1:1	9+1	Lb/Yd: 24/270 28/230 32-195 mm/m:0.40-240 0.43-200 0.47-175	12kg/26Lb

Thank you for choosing Dr.Fish Poseidon Spinning Reel. We are confident that you will enjoy years of outstanding performance from this reel. See the instructions below for the use and care of your new reel.

APPLICATION AND DETAILS

***Filling Spool with Line** - You will find that it is easier to fill the spool with line while the reel is mounted on a rod. Open the bail, tie line to the spool, then turn the reel handle forward to close the bail. Keep the line under tension with your fingers while turning the handle to spool the line onto the reel. **IMPORTANT:** The line must come off its storage spool and onto the reel spool in the same direction that the bail is turning in order to avoid line twist. Fill the spool to about 90% full. Do not overfill—this will cause the line to coil off the edge of the spool and tangle. Do not under fill—this will decrease the reel's casting efficiency. Line clip on the spool hold line neatly in place once you have filled the spool with line.

*** Setting Drag** - The drag knob sets the spool's tension, which allows the line to be pulled out under a certain force. Turning the drag knob clockwise increases drag, rotating it counter clockwise decreases drag. Set your drag with the reel on the rod you will be using, with line fully strung through rod guides. Put the reel's anti-reverse lever to the **RIGHT** position. Hold the rod at a 45° angle and have someone pull on the line while you decide on the proper drag tension. Or you can tie the line to a stationary object and back up while holding the rod at the same 45° angle. Once you make the initial drag setting, it can be easily adjusted if needed.

***Selective Anti-Reverse System** - Simply flip the switch on the back of the reel to the **LEFT**, then anti-reverse is engaged. This means the handle will not rotate backwards. Flipping the switch to the **RIGHT** will disengage the anti-reverse and allow the handle to rotate freely in either direction.

***Securing Handle** - Before fishing, please make sure your handle is locked tight on the reel. Here is how to secure your handle. Keep reeling your handle **FORWARD** until the spool starting spinning to tighten your handle. When the spool starts to spin, press the spool down and keep reeling your handle about 1/4 round to secure it.

*Convert handle side. – Remove the knob opposite to the handle. Pull out the handle, install it to your favorable side, and then screw the knob back on the other side. Then follow step 4 “Securing Handle” to make sure your handle is ready for fishing.

CARE AND LUBRICATION

This Poseidon spinning reel is designed to provide years of dependable service, but as with all precise instruments, some care is required:

- *Periodically use a light machine oil to lubricate the line roller, the main shaft under the spool, and all moving parts of the bail and handle.
- *Every time after fishing, clean it thoroughly with soft cloth.
- *Please take special care to avoid the scratch of the rim of the spool. Do not place it on the cement floor or rocks surface. Once the reel’s surface becomes rough, it will greatly affect the cast.
- *The internal structure of spinning reel is very complex, please be cautious when trying to disassemble it.

WARRANTY

Thank you for shopping with Dr.Fish. This full warranty applies to the Long Shot Spinning Reel (Model PD 8000 and Model PD 9000).

*How long does the coverage last?

The warranty period is 180 days from the day of purchase. A replacement product assumes the remaining warranty of the original product.

*What does this warranty cover?

This cover any defects or malfunctions in material or workmanship under normal use during the warranty period.

*What does this warranty not cover?

Damage not resulting from defects or malfunctions while in possession of customer, unreasonable use will not be cover by this warranty. If, however, the repaired or return is not covered by the provisions of this warranty, we will charge a reasonable price for repairing, parts and return transportation.

*What will we do to correct problems?

Within the warranty period, we will provide either free replacements of defective parts, free replacements of a new product, full or partial refunds.

*What do you have to do?

In order to obtain warranty service, please E-mail us at CS@DrFish.online with your proof of purchase (such as order IDs). If you want to return your product, please do contact us through E-mail first. Our assistant will get back to you within 24 hours. For Amazon and Ebay orders, sign in to your account, click the "Your Account" option, and then select "Your Orders." Click the "Contact Seller" button next to your order from us and let us know about your problems.

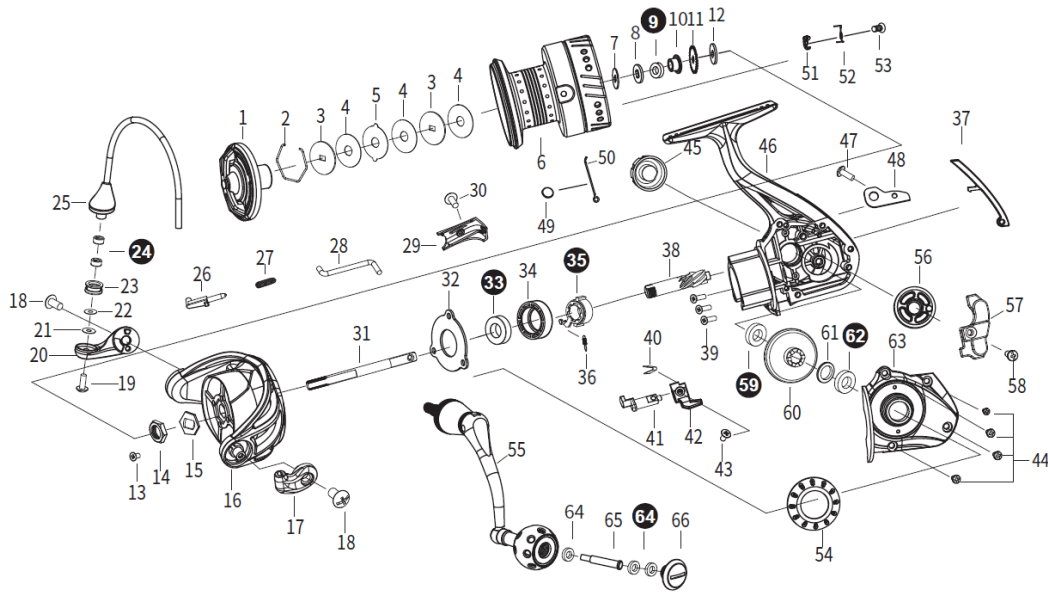
*Dr.Fish reserves the sole right to refuse the return of any item in which the purchaser has made previous multiple returns or if the product has been used. In addition, we will not accept orders from customers that have demonstrated a high incidence of returns after purchase.

SOME STATES DO NOT ALLOW LIMITATIONS ON HOW LONG AN IMPLIED WARRANTY LASTS OR THE EXCLUSION OR LIMITATION OF INCIDENTAL OR CONSEQUENTIAL DAMAGES, SO THE ABOVE LIMITATIONS OR EXCLUSIONS MAY NOT APPLY TO YOU REELS

Dr. Fish

Manufacturer: Dr.Fish

Product's Country of Origin: China



NO.	PARTS NAME	NO.	PARTS NAME	NO.	PARTS NAME
1	Front Drag Set	26	Bail Arm Lever	51	Clicker
2	Spool Clasp	27	Spring	52	Clicker Spring
3	Key Washer	28	Rotor Trip Lever	53	Clicker Screw
4	Drag Washer	29	Bail Arm Side Cover	54	Body Side Cover
5	Eared Washer	30	Side Cover Screw	55	Handle Set
6	Spool	31	Main Shaft	56	Oscillation Gear
7	Click Washer	32	Ball Bearing Fixed Holder	57	Slider
8	Click Shim	33	Pinion Gear Ball Bearing	58	Screw
9	Spool Ball Bearing	34	Bushing	59	Body Ball Bearing
10	Copper Bush	35	One Way Clutch	60	Gear
11	Click Gear	36	One Way Clutch Spring	61	Gear Washer
12	Click Shim	37	Body Plate	62	Body Cover Ball Bearing
13	Screw	38	Pinion Gear	63	Body Cover
14	Hex Nut	39	Screw	64	Knob Ball Bearing
15	Rotor Fixed Holder	40	Anti-reverse Spring	65	Knob
16	Rotor	41	Anti-reverse Shaft	66	Knob Cap
17	Bail Holder	42	Anti-reverse Switch		
18	Screw	43	Screw		
19	Line Roller Screw	44	Screw		
20	Bail Arm	45	Handle Cap		
21	Line Roller Washer	46	Main Body		
22	Washer	47	Balance Slider Screw		
23	Line Roller	48	Balance Slider		
24	Line Roller Ball Bushing	49	Line Keeper		
25	Bail Set	50	Line Keeper Spring		