

# DR.FISH DARKNESS SPINNING REEL OWNER'S MANUAL

Model	Gear Ratio	Ball Bearings	Weight	Line Capacity	Max Drag.
DK 8000	4.4:1	9+1	719g/ 25.3oz	Lb/Yd: 17/270 20/210 30-150 mm/m:0.40-260 0.45-200 0.55-140	16kg/ 35Lb
DK 9000	4.4:1	9+1	737g/ 26z	Lb/Yd: 17/360 20/290 30-190 mm/m:0.40-350 0.45-280 0.55-180	16kg/ 35Lb

Thank you for choosing Dr.Fish Darkness Spinning Reel. We are confident that you will enjoy years of outstanding performance from this reel. See the instructions below for the use and care of your new reel.

## APPLICATION AND DETAILS

**\*Filling Spool with Line -** You will find that it is easier to fill the spool with line while the reel is mounted on a rod. Open the bail, tie line to the spool, then turn the reel handle forward to close the bail. Keep the line under tension with your fingers while turning the handle to spool the line onto the reel. **IMPORTANT:** The line must come off its storage spool and onto the reel spool in the same direction that the bail is turning in order to avoid line twist. Fill the spool to about 90% full. Do not overfill–this will cause the line to coil off the edge of the spool and tangle. Do not under fill–this will decrease the reel’s casting efficiency. Line clip on the spool hold line neatly in place once you have filled the spool with line.

**\* Setting Drag -** The drag knob sets the spool’s tension, which allows the line to be pulled out under a certain force. Turning the drag knob clockwise increases drag, rotating it counter clockwise decreases drag. Set your drag with the reel on the rod you will be using, with line fully strung through rod guides. Put the reel’s anti-reverse lever to the **RIGHT** position. Hold the rod at a 45° angle and have someone pull on the line while you decide on the proper drag tension. Or you can tie the line to a stationary object and back up while holding the rod at the same 45° angle. Once you make the initial drag setting, it can be easily adjusted if needed.

**\*Selective Anti-Reverse System -** Simply flip the switch on the back of the reel to the **LEFT**, then anti-reverse is engaged. This means the handle will not rotate backwards. Flipping the switch to the **RIGHT** will disengage the anti-reverse and allow the handle to rotate freely in either direction.

**\*Convert handle side. -** Remove the knob opposite to the handle. Pull out the handle, install it to your favorable side, and then screw the knob back on the other side.

## CARE AND LUBRICATION

This Darkness spinning reel is designed to provide years of dependable service, but as with all precise instruments, some care is required:

**\*Periodically use a light machine oil to lubricate the line roller, the main shaft under the spool, and all moving parts of the bail and handle.**

\*Every time after fishing, clean it thoroughly with soft cloth.

\*Please take special care to avoid the scratch of the rim of the spool. Do not place it on the cement floor or rocks surface. Once the reel's surface becomes rough, it will greatly affect the cast.

\*The internal structure of spinning reel is very complex, please be cautious when trying to disassemble it.

# WARRANTY

Thank you for shopping with Dr.Fish. This full warranty applies to the Long Shot Spinning Reel (Model DK 8000 and Model DK 9000).

\*How long does the coverage last?

The warranty period is 180 days from the day of purchase. A replacement product assumes the remaining warranty of the original product.

\*What does this warranty cover?

This cover any defects or malfunctions in material or workmanship under normal use during the warranty period.

\*What does this warranty not cover?

Damage not resulting from defects or malfunctions while in possession of customer, unreasonable use will not be cover by this warranty. If, however, the repaired or return is not covered by the provisions of this warranty, we will charge a reasonable price for repairing, parts and return transportation.

\*What will we do to correct problems?

Within the warranty period, we will provide either free replacements of defective parts, free replacements of a new product, full or partial refunds.

\*What do you have to do?

In order to obtain warranty service, please E-mail us at [cs@drfishtackle.com](mailto:cs@drfishtackle.com) with your proof of purchase (such as order IDs). If you want to return your product, please do contact us through E-mail first. Our assistant will get back to you within 24 hours. For Amazon and Ebay orders, sign in to your account, click the "Your Account" option, and then select "Your Orders." Click the "Contact Seller" button next to your order from us and let us know about your problems.

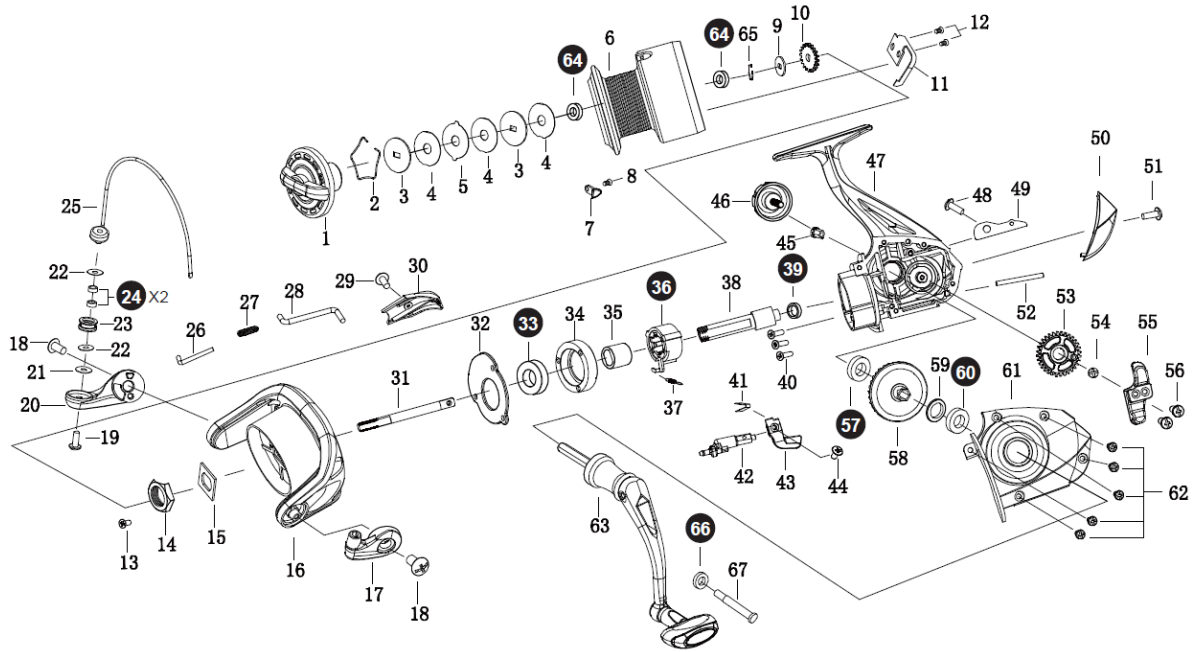
\*Dr.Fish reserves the sole right to refuse the return of any item in which the purchaser has made previous multiple returns or if the product has been used. In addition, we will not accept orders from customers that have demonstrated a high incidence of returns after purchase.

SOME STATES DO NOT ALLOW LIMITATIONS ON HOW LONG AN IMPLIED WARRANTY LASTS OR THE EXCLUSION OR LIMITATION OF INCIDENTAL OR CONSEQUENTIAL DAMAGES, SO THE ABOVE LIMITATIONS OR EXCLUSIONS MAY NOT APPLY TO YOU REELS

# Dr. Fish

Manufacturer: Dr.Fish

Product's Country of Origin: China



NO. PARTS NAME

- 1 Front Drag Set
- 2 Spool Clasp
- 3 Key Washer
- 4 Drag Washer
- 5 Eared Washer
- 6 Spool
- 7 Line Keeper
- 8 Line Keeper Shot Screw
- 9 Click Washer
- 10 Click Gear
- 11 Clicker
- 12 Clicker Screw
- 13 Screw
- 14 Hex Nut
- 15 Rotor Fixed Holder
- 16 Rotor
- 17 Bail Holder
- 18 Screw
- 19 Line Roller Screw
- 20 Bail Arm
- 21 Line Roller Washer
- 22 Washer
- 23 Line Roller
- 24 Line Roller Ball Bearing
- 25 Bail Set

NO. PARTS NAME

- 26 Bail Arm Lever
- 27 Spring
- 28 Rotor Trip Lever
- 29 Side Cover Screw
- 30 Bail Arm Side Cover
- 31 Main Shaft
- 32 Ball Bearing Fixed Holder
- 33 Pinion Gear Ball Bearing
- 34 Bushing
- 35 One Way Clutch Inner Ring
- 36 One Way Clutch
- 37 One Way Clutch Spring
- 38 Pinion Gear
- 39 Pinion Gear Ball Bearing
- 40 Screw
- 41 Anti-reverse Spring
- 42 Anti-reverse Shaft
- 43 Anti-reverse Switch
- 44 Screw
- 45 Hex Washer
- 46 Handle Cap
- 47 Main Body
- 48 Balance Slider Screw
- 49 Balance Slider
- 50 Body Plate

NO. PARTS NAME

- 51 Screw
- 52 Slider Guide Shaft
- 53 Oscillation Gear
- 54 Screw
- 55 Slider
- 56 Screw
- 57 Body Ball Bearing
- 58 Gear
- 59 Gear Washer
- 60 Body Cover Ball Bearing
- 61 Body Cover
- 62 Body Cover Screw
- 63 Handle Set
- 64 Spool Ball Bearing
- 65 Ball Bearing Clasp
- 66 Knob Ball Bearing
- 67 Knob Rivet