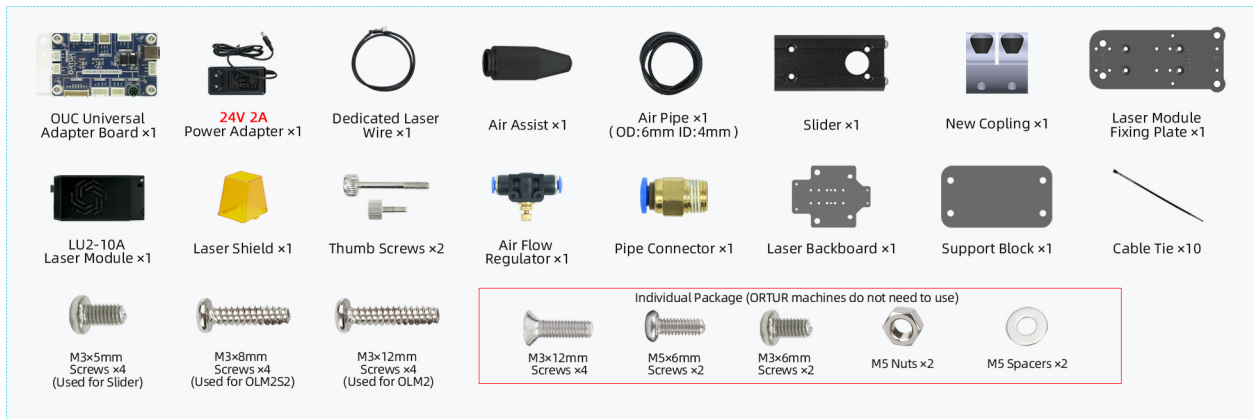
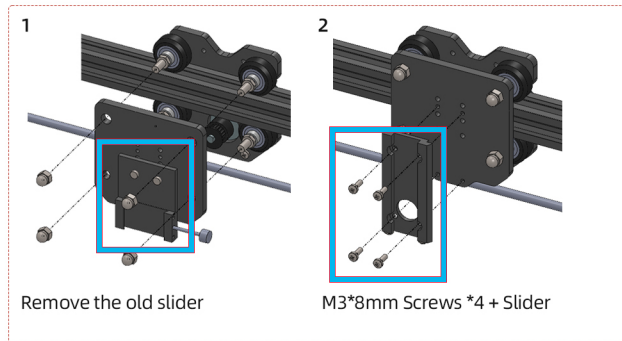


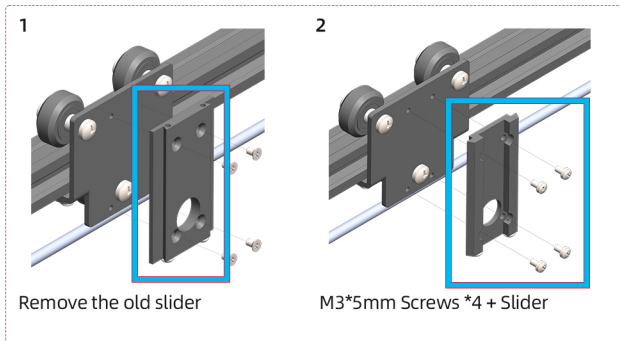
LU2-10A Laser Module — User Manual



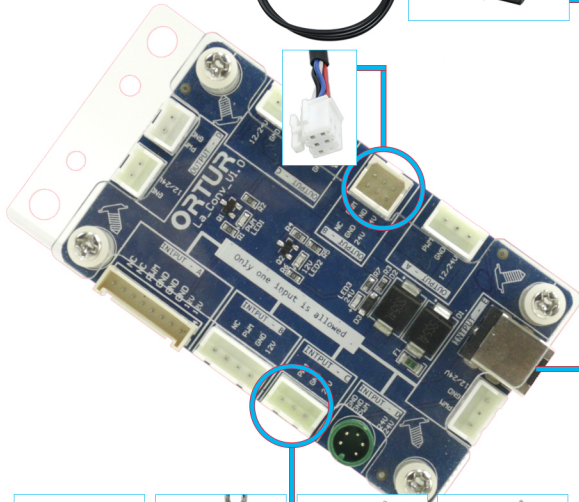
Replace the Slider (OLM2S2)



Replace the Slider (OLM2PRO)



Dedicated Laser Wire



24V 2A
Power Adapter



OLM2

OLM2 S2

OLM2P S1

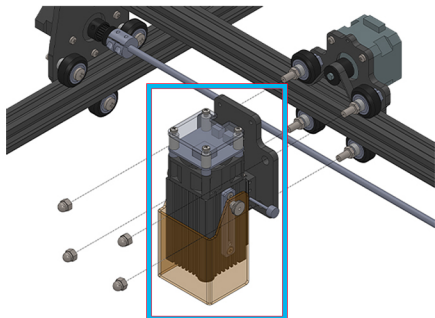
OLM2P S2

3Pin laser wire interface

The OUC universal adapter board must be connected to the 24V 2A power adapter provided in the kit.
(When using the LU2-10A laser module, two 24V 2A power adapters must be used at the same time!)

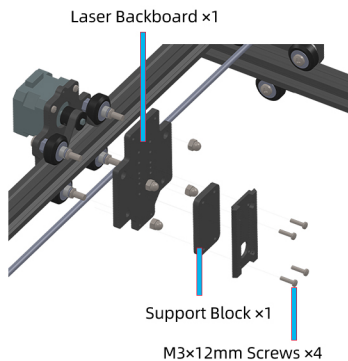
OLM2 Install LU2-10A

1

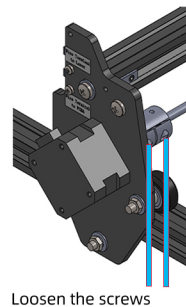


Do not need to use

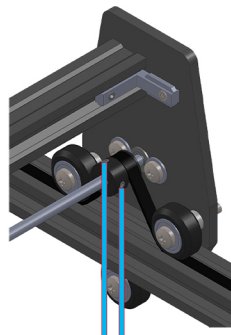
2



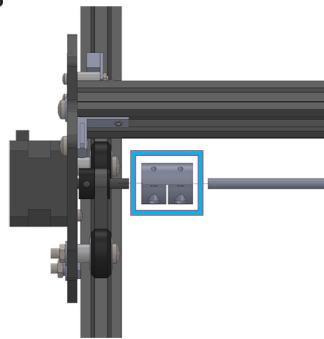
3



4

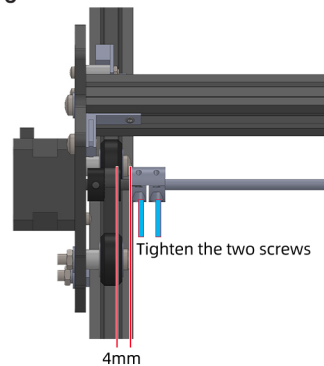


5

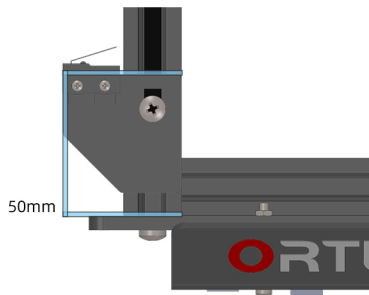


Replace with new coupling

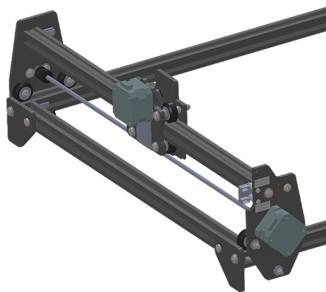
6



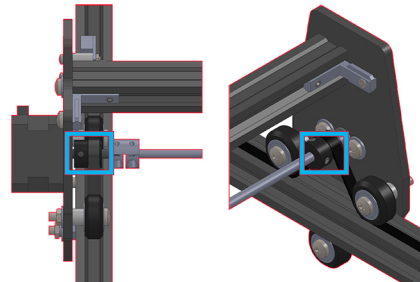
7



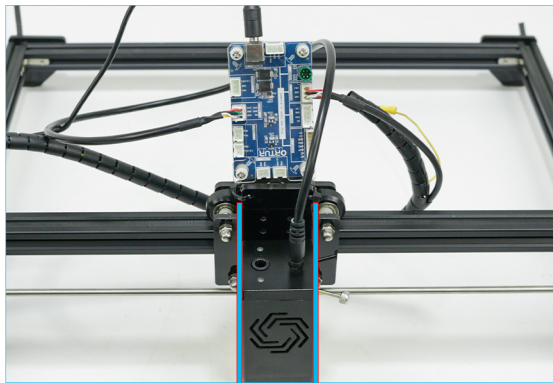
8



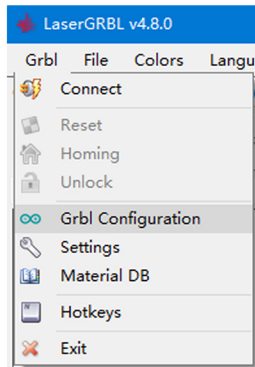
Push the X-axis assembly to the bottom



If the X-axis assembly cannot fully touch the bottom, loosen the screw of the synchro wheel to adjust



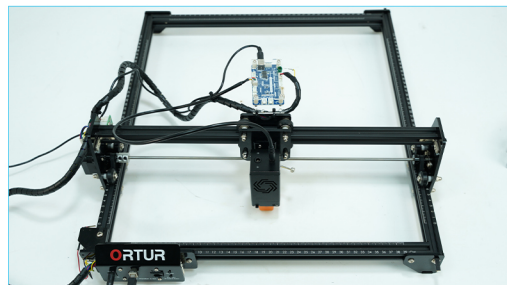
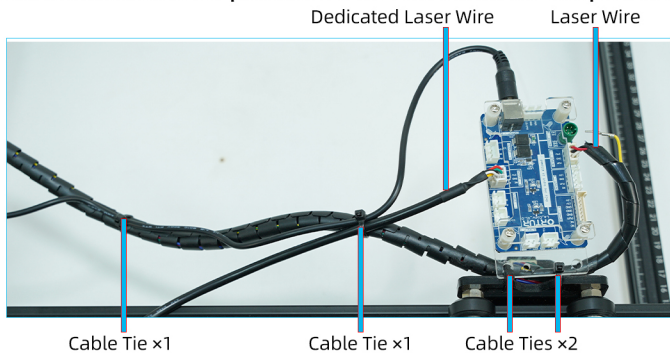
Cable Ties x2



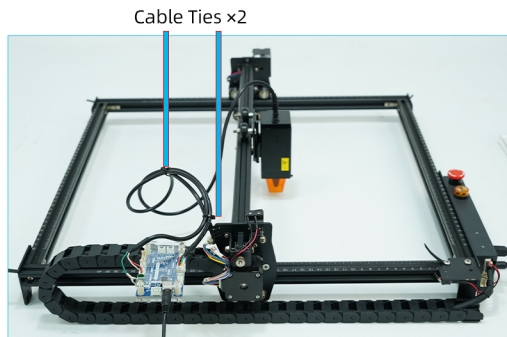
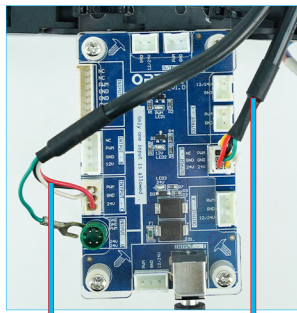
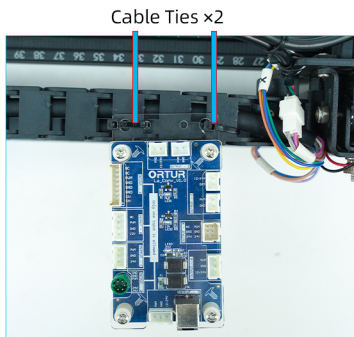
#	Parameter	Value
\$64	Force init alarm	1
\$65	Check limits at init	0
\$100	X-axis travel resolution	100.000
\$101	Y-axis travel resolution	100.000
\$102	Z-axis travel resolution	400.000
\$110	X-axis maximum rate	5000
\$111	Y-axis maximum rate	5000
\$112	Z-axis maximum rate	1200.000
\$120	X-axis acceleration	2200.000
\$121	Y-axis acceleration	2200.000
\$122	Z-axis acceleration	2200.000
\$130	X-axis maximum travel	390
\$131	Y-axis maximum travel	410
\$132	Z-axis maximum travel	50.000
\$255	Ortur Flame Sensor Debut	0

Change the value of \$131 to 390 in LaserGRBL

Recommendations for placement of OUC universal adapter board (OLM2 S2)



Recommendations for placement of OUC universal adapter board (OLM2P S1/S2)

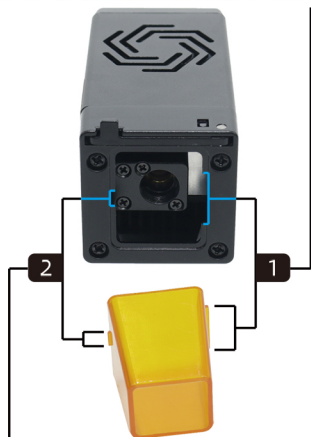


Both power adapters must be used at the same time

If you have a better idea, you can choose where to place the OUC universal adapter board, but make sure that the wiring harness will not be squeezed by collision, or burned by the laser!

Instructions for use

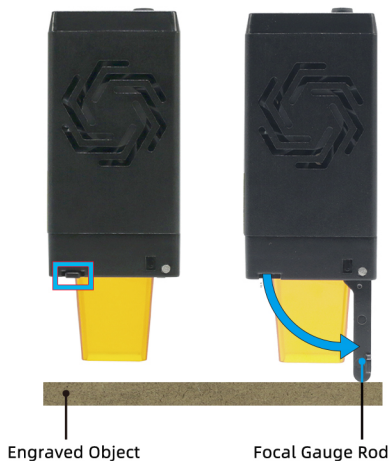
To install the laser shield, the long clip must be inserted into the wide card slot first.



After installing the long clip, firmly press one side of the short clip to let the short clip enter the narrow card slot.



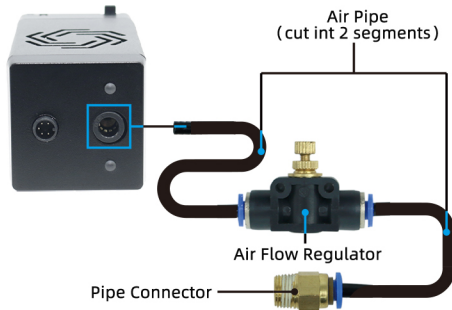
The trachea needed to be cut into 3 sections, and the length of each section needs to be adjusted according to yourself.



No need to install air assist when not using an air compressor.



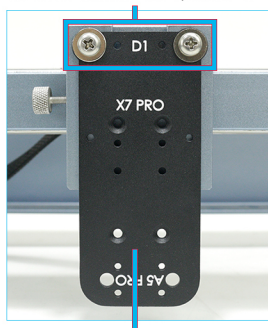
You only need to remove the rubber plug when air assist is used. Please install the rubber plug when air assist is not used.



The pipe joint is connected to the air compressor (it is recommended to use an air compressor with an air flow of 40L/min)

D1 Install LU2-10A

- 1 M5*6mm Screws +M5 Spacers *2



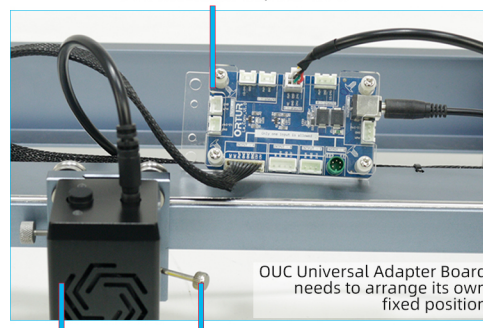
Laser Module Fixing Plate

- 2 Slider



M3*5mm Screws *4

- 3 OUC Universal Adapter Board



LU2-10A
Laser Module

Thumb Screw

X7 PRO Install LU2-10A

- 1 Laser Module Fixing Plate



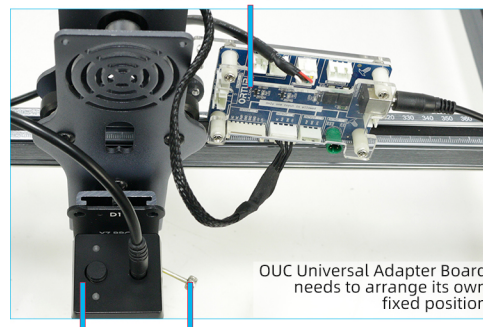
M3*12mm Screws *12

- 2 Slider



M3*5mm Screws *4

- 3 OUC Universal Adapter Board

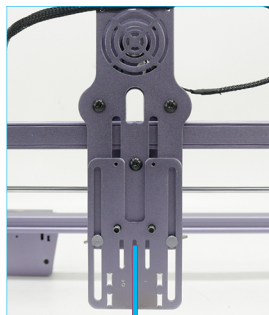


LU2-10A
Laser Module

Thumb Screw

A5 PRO Install LU2-10A

1



Remove the Laser Module Backplane

2



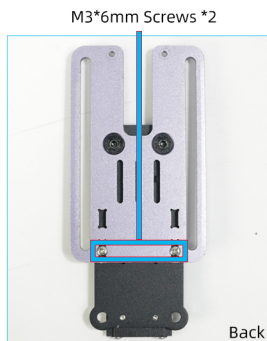
Laser Module Fixing Plate

3



Slider + M3*5mm Screws *4

4



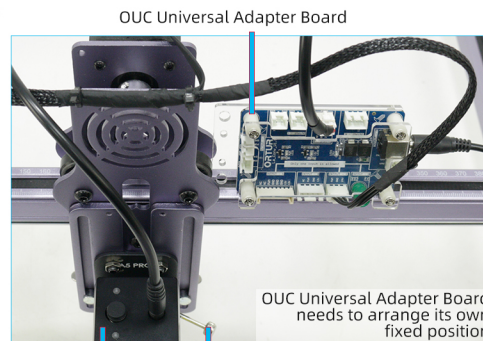
Back

5



Reinstall the laser module backplane

6



OUC Universal Adapter Board
needs to arrange its own
fixed position

LU2-10A
Laser Module

Thumb Screw