



MICTUNING
DESIGNED FOR SAFE AND FUN

Unlimited-Go K1 Series LED Pods

Overview :

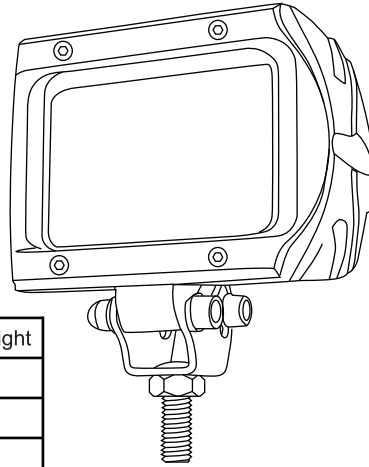
If you're driving on dark road, you need bright lights!

If you're racing, you need cool lights!

MICTUNING Unlimited-Go K1 Series LED Pods Specially Designed For You!

MICTUNING® is specialized in developing advanced LED products with customers in mind. Our primary goal is to provide guaranteed quality and brighter LED lighting products to protect your safety and enjoy driving fun. Enjoy Your Off-road Adventures!

Unlimited-Go K1



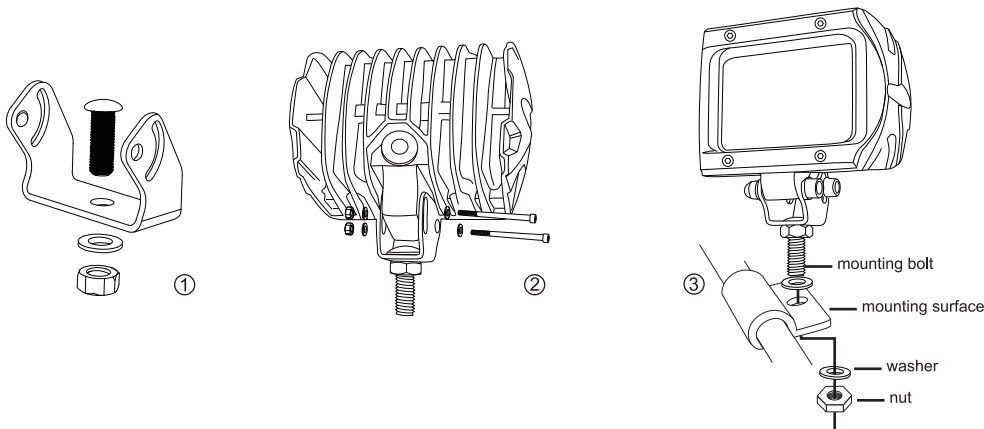
	Type	Ambient Light
Unlimited-Go K1 Series	Flood LED Pods	Yes
	Spot LED Pods	Yes
	Quad Row Combo LED Pods	No

Breeze Installation :

Comes with mounting bracket and stainless steel screws for breeze installation

Adjustable mounting bracket makes changing the light beam direction easier

Can be mounted on on car roof, front bumper or grille by yourself



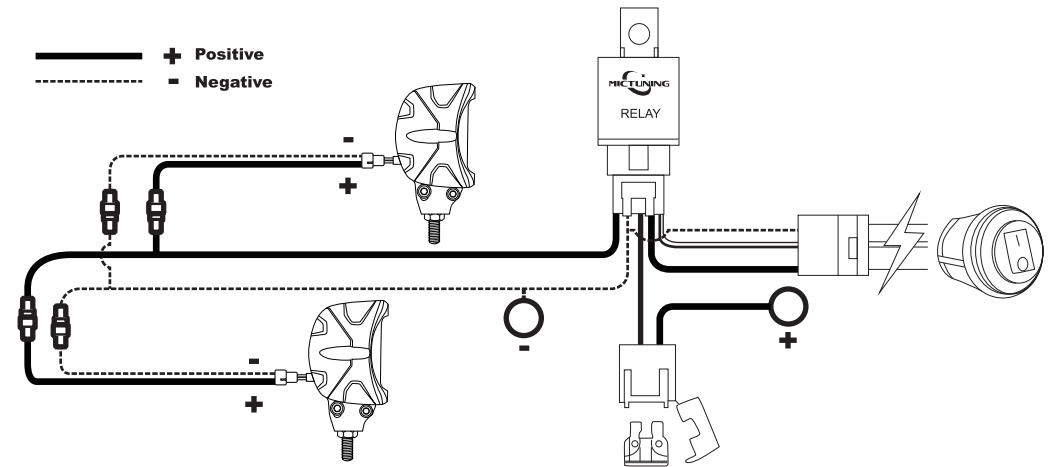
MICTUNING® ALL RIGHTS RESERVED

Wiring Diagram (Wiring Harness Kit Not Included)

Caution:

Professional installation is highly recommended

Please wrap all exposed wire with electrical tape to avoid a short circuit



Operation Steps

1. Connect the red+ wire from the fuse to battery +; Connect the black wire from the relay to the battery -;
2. Connect the white+; black- wire from the relay to light bar(red/black correspond to the wire of lights bar);
3. Connect the red+/black- wire of the switch to battery or any place of your car system to get power for the switch;
4. Turn on switch button to test the lights bar.

Specification :

Type	Voltage	Power	Color Temperature	Lumen	Lifespan	Waterproof	Material	Working Temperature
Quad Row Combo LED Pods	DC 10V-30V	24W	6000K	1920LM	50,000 hours +	IP68	Aluminum + PC	-40 to 70 C
Spot LED Pods	DC 10V-30V	18W	6000K	1620LM	50,000 hours +	IP68	Aluminum + PC	-40 to 70 C
Flood LED Pods	DC 10V-30V	18W	6000K	1620LM	50,000 hours +	IP68	Aluminum + PC	-40 to 70 C

Important Note:

Please match the wiring harness (NOT INCLUDED) with correct operating voltage

Please do not disassemble the product by yourself to avoid damage to the product performance

This product is NOT suitable for household AC power supply in case of causing product failure and short circuit

Thank you very much for purchasing MICTUNING product.

MICTUNING® ALL RIGHTS RESERVED