



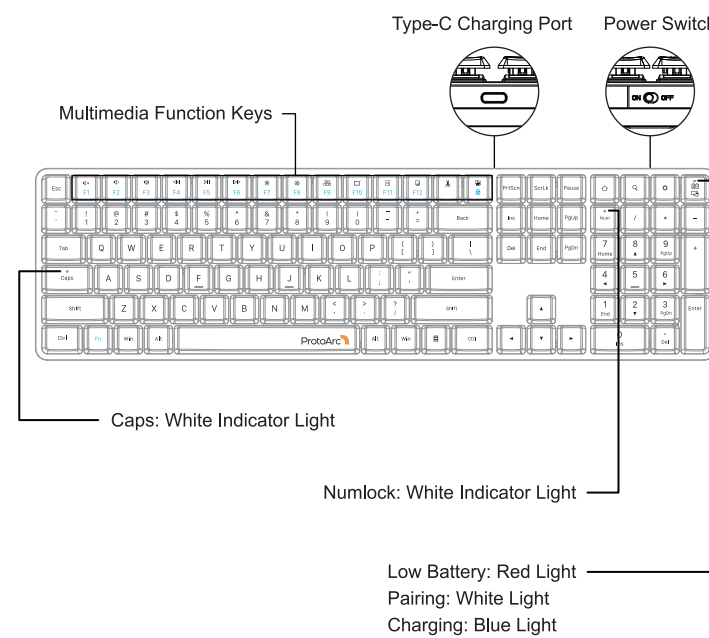
MECH K200

User Manual

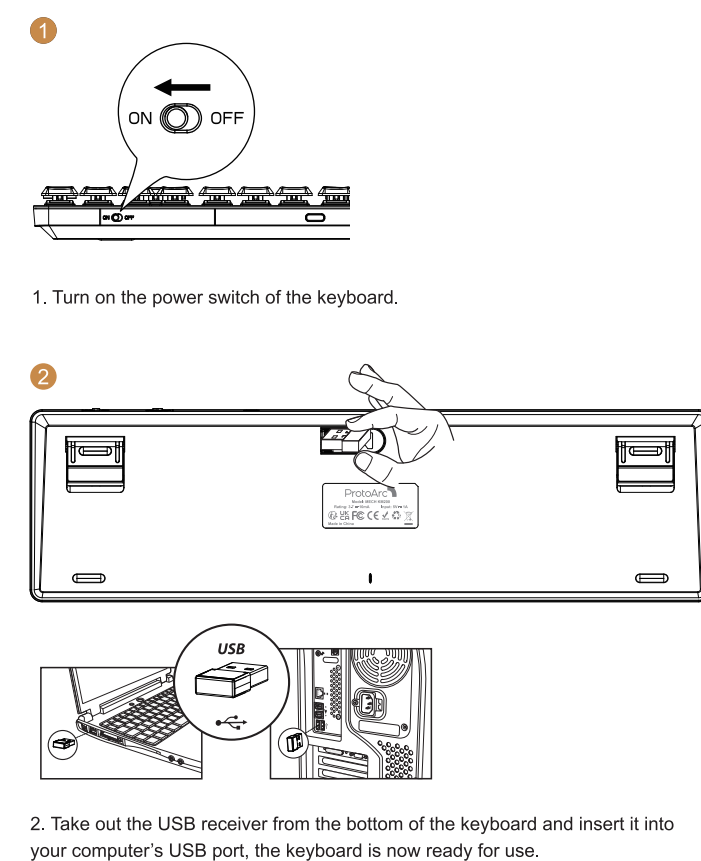
Full-Size 2.4G Wireless Mechanical Keyboard

support@protoarc.com
www.protoarc.com
United States: (+1) 866-287-6188
Monday-Friday: 10am-1pm, 2pm-7pm (Eastern Time)*Closed during Holidays

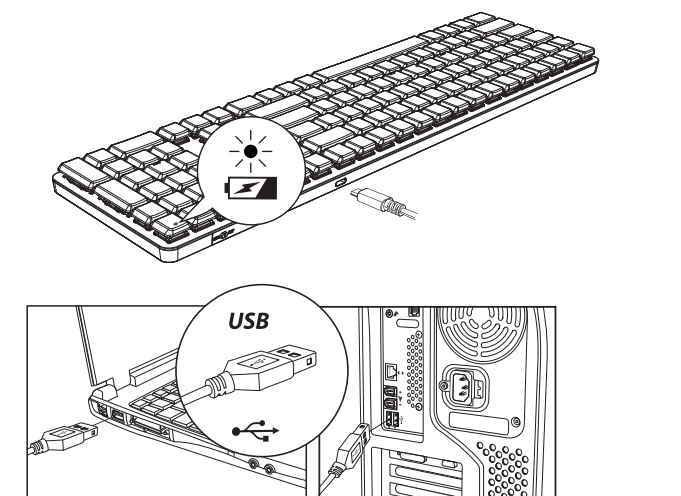
Product Features



2.4G Wireless Connection



Charging Guide



Multimedia Function Button

Key	Function
⏏	Mute
⏮	Volume Down
⏭	Volume Up
⏪	Previous
⏩	Play&Stop
⏴	Next
☀	Decrease Brightness
☀	Increase Brightness
🖥	Multi-window Preview
🖥	Show Desktop
📄	Select All
📄	Copy
📄	Paste
🔒	FN Lock
🏠	Home
🔍	Search
⚙️	Computer System Setting
🔒	Lock Screen

Direct press is multi-media function, F1-F12 function needs press FN plus implementation.

Product Specifications

Compatibility	Supports Win XP to Win 11
Battery Capacity	300mAh
Working Current	<10mA
Sleep Current	<50uA
Charging Time	<2Hour
Wake Up Way	Press any key
Weight	24.87oz(705g)
Keyboard Dimension	16.89 * 4.76 * 1.03 inch

Sleep Mode

- When the keyboard has no activity for more than 5 seconds, it will automatically enter sleep mode, and the indicator light will turn off.
- To wake up the keyboard, simply press any key on the keyboard, and it will be ready within 3 seconds. The indicator light will light up again.

Tips

- If the keyboard is not working or stop pairing? Please charge the keyboard immediately, press and hold the ESC+K keys on the keyboard for more than 3 seconds, the white indicator light will illuminate when the 2.4G pairing is successful. Keep the USB receiver and keyboard within a distance of approximately 10cm. Insert the receiver into a USB port on your computer, once the white indicator light turns off, it should work normally.

2. Does it support compatibility with Mac OS systems?
It only supports basic functions and is not compatible with some multimedia and special key combination features.

3. Can the mechanical switches be replaced?
The switches are soldered and cannot be replaced by customers. However, the keycaps can be replaced with cross-shaped keycaps.

Packing List

- ▶ 1 x Wireless Keyboard
- ▶ 1 x Type C Charging Cable
- ▶ 1 x User Manual