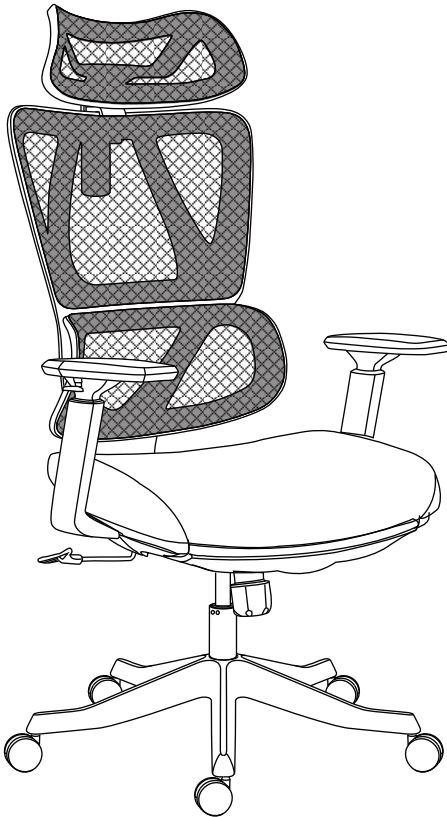


ProtoArc 

## ErgoChair 100

# User Manual

Ergonomic Office Chair



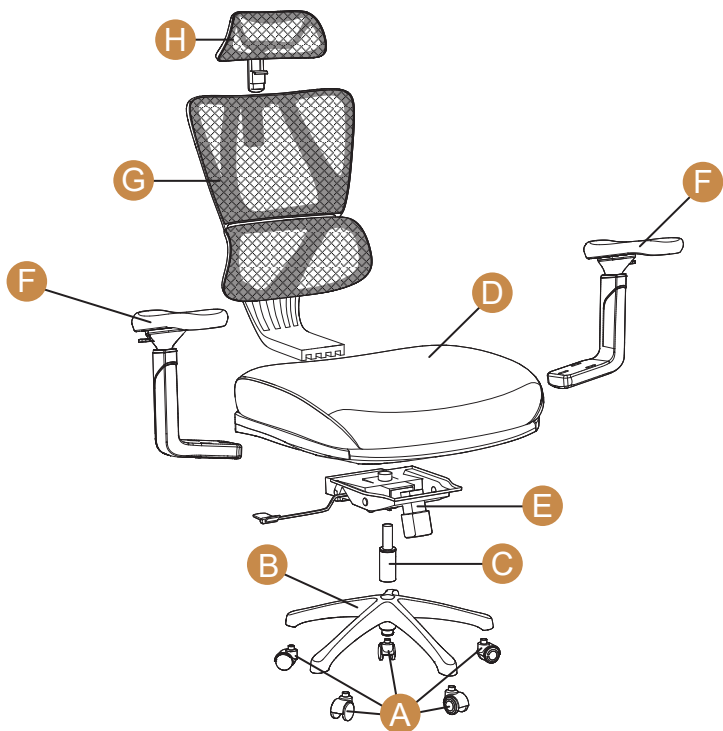
[support@protoarc.com](mailto:support@protoarc.com)


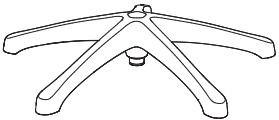

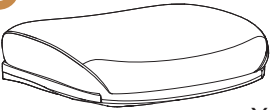
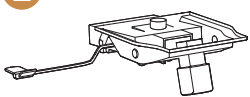
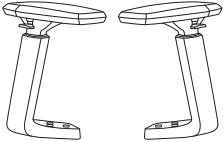
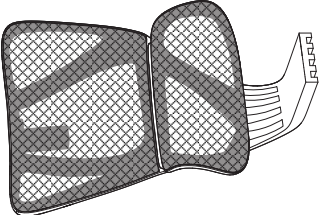
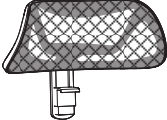
[www.protoarc.com](http://www.protoarc.com)

United States: (+1) 866-287-6188

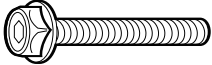
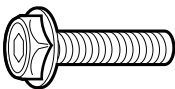
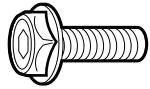

Monday-Friday: 10am-1pm, 2pm-7pm (Eastern Time)\*Closed during Holidays

# Component List



<p><b>A</b></p>  <p>X5</p>	<p><b>B</b></p>  <p>X1</p>	<p><b>C</b></p>  <p>X1</p>
<p><b>D</b></p>  <p>X1</p>	<p><b>E</b></p>  <p>X1</p>	<p><b>F</b></p>  <p>X2</p>
<p><b>G</b></p>  <p>X1</p>	<p><b>H</b></p>  <p>X1</p>	

# Hardware List

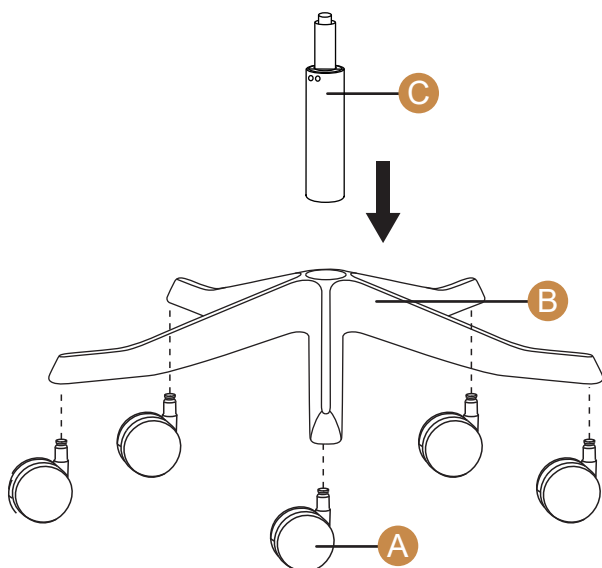
<p><b>I</b></p>  <p>M6x45mm X6</p>	<p><b>J</b></p>  <p>M8x30mm X4</p>	<p><b>K</b></p>  <p>M8x20mm X3</p>
<p><b>L</b></p>  <p>5# X1</p>		

# Installation Steps



## Step 1 Install the wheels and SGS gas cylinder

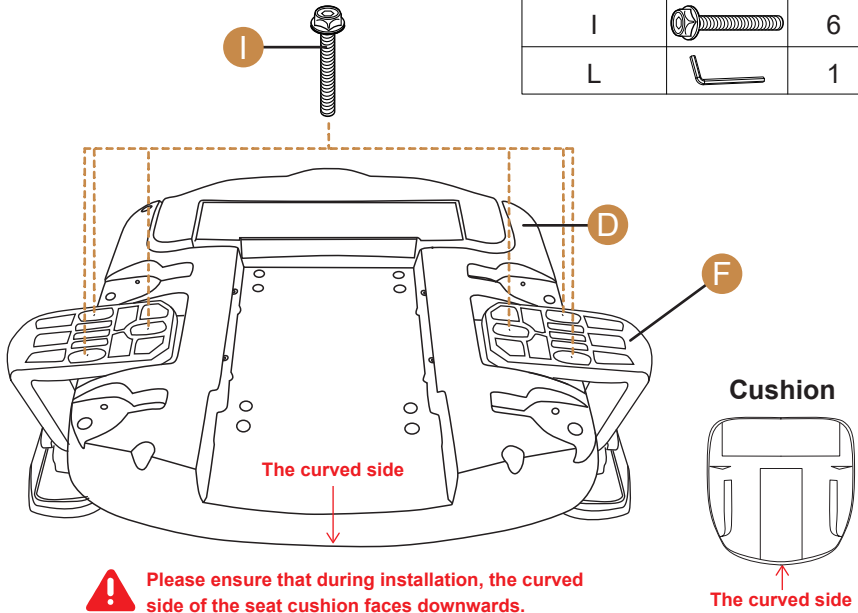


Please install the wheels first, and then install the SGS gas cylinder.





**Step 2****Install chair armrests**

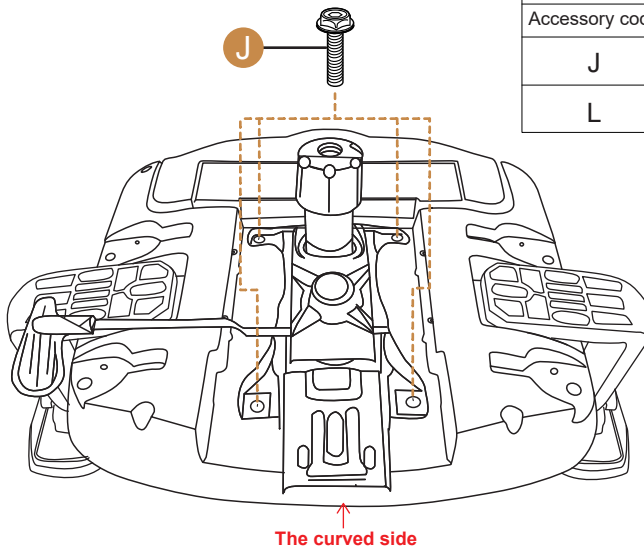
Required Accessories		
Accessory code	Image	Quantity
I		6
L		1



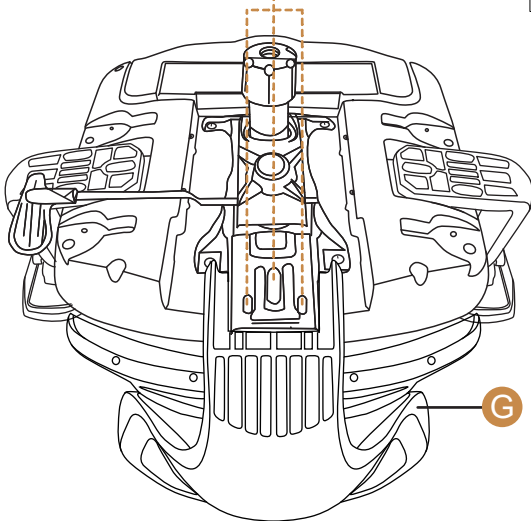
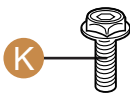
 Please ensure that during installation, the curved side of the seat cushion faces downwards.



**Step 3****Install Adjustment Mechanism**

Required Accessories		
Accessory code	Image	Quantity
J		4
L		1



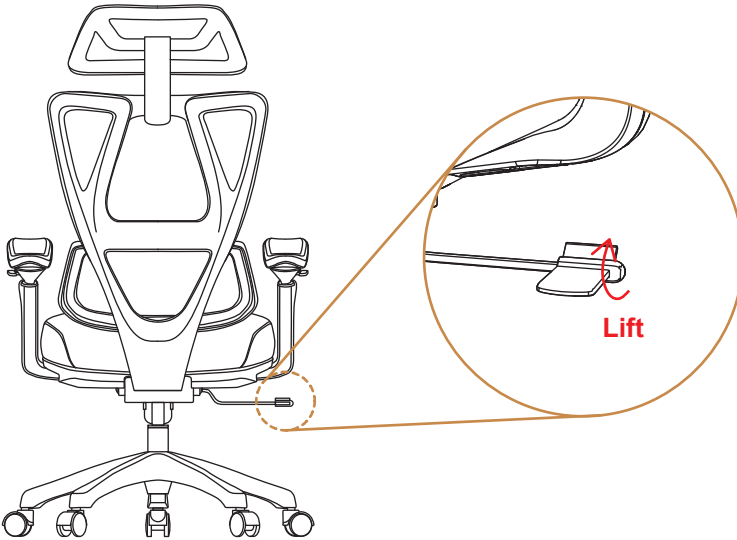
 Please ensure that during installation, the curved side of the seat cushion faces downwards.

**Step 4****Install chair backrest****Required Accessories**

Accessory code	Image	Quantity
K		3
L		1

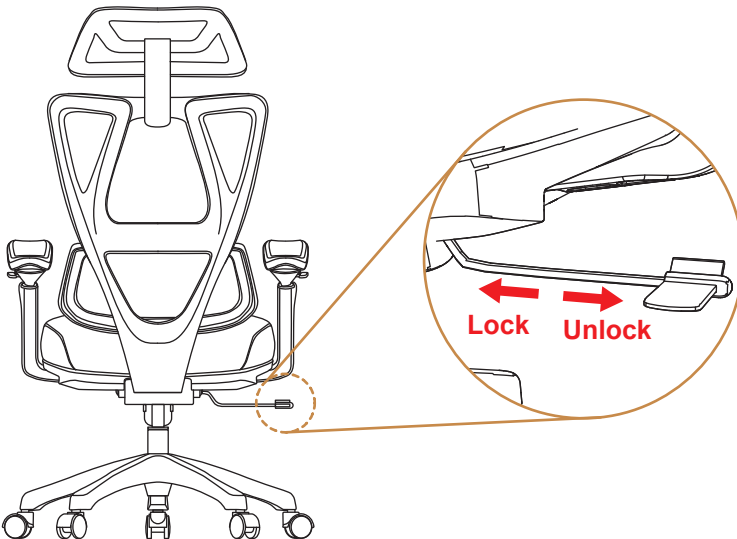
**Step 5****Install chair headrest**

## ● How to adjust the seat height?



**Adjusting seat height:** Gently press the adjustment button located at the bottom of the seat. Simultaneously lift or lower the seat and release the button to lock it at the desired height.

## ● How to adjust the seat recline angle?



**Adjusting seat tilt angle:** Pull out the tilt lever and tilt the backrest of the seat forward or backward to the desired angle. Push the tilt lever back in to lock and secure the angle.

# Warranty

## ● Warranty Coverage

1. **Materials and Manufacturing Defects:** The warranty covers issues caused by materials or manufacturing defects, such as breakage, cracks, or damages.
2. **Mechanisms and Functions:** The warranty covers the mechanisms and functions of the ergonomic chair, such as seat adjustments, reclining functions, and base rotation.
3. **Structural Stability:** The warranty covers the structural stability of the ergonomic chair, ensuring that the chair remains stable and safe under normal usage conditions.

## ● Warranty does not cover the following situations:

1. **Accidental Damage:** Warranties typically do not cover damages caused by accidents, intentional damage, or improper use, such as falls, collisions, liquid spills, etc.
2. **Natural Wear and Tear:** Warranties typically do not cover normal wear and tear and discoloration that occurs as a result of regular use, such as surface wear, fabric fading, etc.
3. **Unauthorized Repairs or Modifications:** Warranties usually do not apply to unauthorized repairs, alterations, or modifications that may result in quality issues or safety concerns.
4. **Abnormal Use:** Warranties generally do not cover damages caused by improper use, exceeding design limits, or failure to follow operating instructions.

# Customer Support

✉ [support@protoarc.com](mailto:support@protoarc.com)

☎ +1 866-287-6188 (United States)

Monday-Friday: 10am-1pm, 2pm-7pm (Eastern Time)\*Closed during Holidays