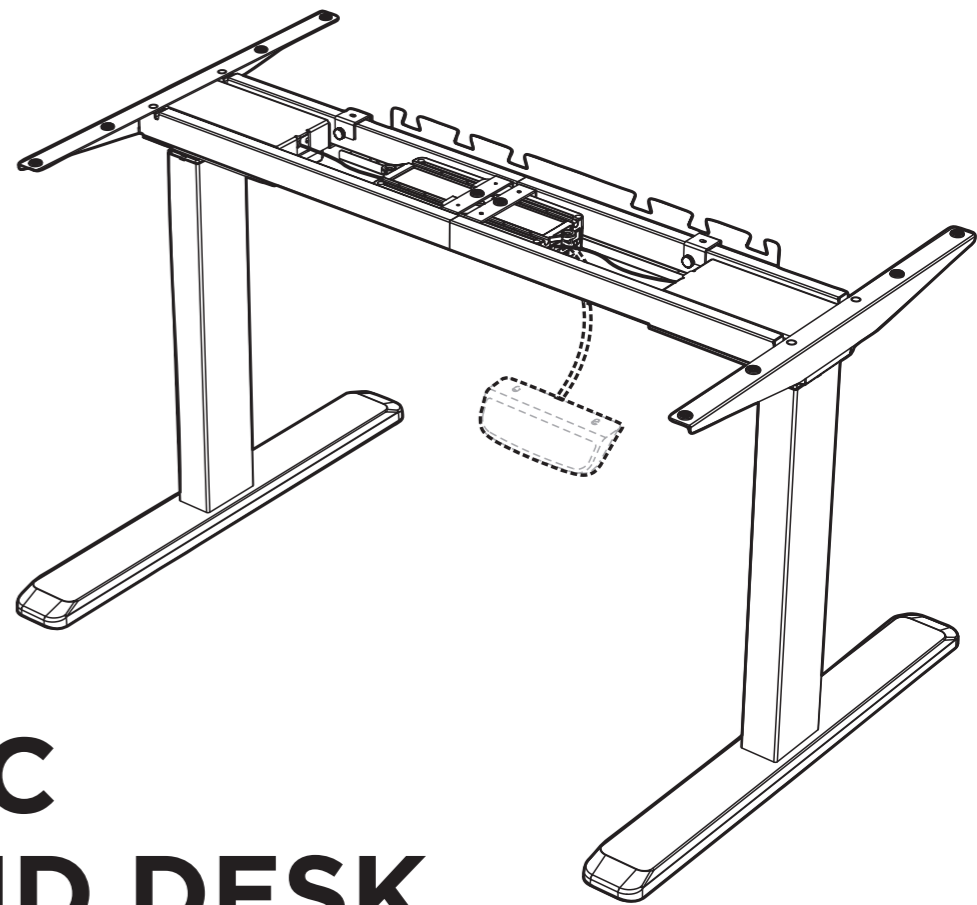


M06-23D-H/M06-23R-H

Instruction Manual

ELECTRIC SIT-STAND DESK



I Preface

This electric height adjustable standing desk consists of a heavy-duty steel desk frame and a motorized height adjustment system. Please read and completely understand this manual before installation in order to make sure the safe and correct use of the system and maintain the longevity of the overall construction and the built-in electronics.

Instructions of Safety and Warnings:

- Any failure to comply with the safety and installation instructions in this manual may cause serious bodily injury.
- Overlooking any part of the instructions, warnings and additional information marked with the "Note" and "⚠" may result in serious damage to the system or its components.
- Children should never be allowed to operate or touch the product without direct supervision of an adult. Users should prevent children from being near or around the desk during operation.
- Disabilities and/or lack of experience and knowledge should be prevented from using the product unless under supervision or assisted during use and operation.
- Never sit on or exceed the rated weight of the desk.



Electrical Safety Instructions:

The product is powered by electricity. In order to avoid burns, fire and electric shock, please read the instructions carefully.



Don't clean the product with water while the power is still connected.



Never operate the system if it's in moist environment or its electrical components have contact with liquids.



Don't disassemble or replace components while the power is still connected.



Don't operate the system if the control box makes noise or odor. Alterations of the given power unit and control box aren't allowed.



Never operate the system with a damaged cord or plug. Please contact your point of purchase to replace the damaged parts.




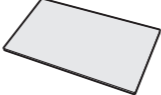


Other Safety Instructions:



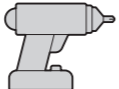

- Remove any obstacles from the area around the desk during assembly and subsequent use.
- Organize all cords and wires to prevent any possible tripping or accidents from occurring.
- Never attempt to modify or change the desk frame or components that operate the desk.
- Don't add anything to the adjustable junctions of the desk frame.
- The desk is rated for Indoor Use Only.

I Preparation

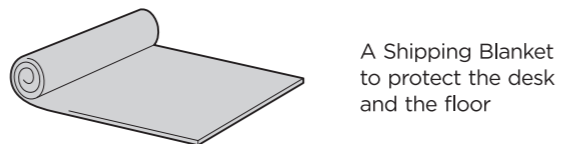
1 What are the specifications you need to know?

			
Weight Capacity 80kg (176lbs)	Power Input (100-240V)	Operation Temperature (-5°C~+40°C)	Suggest Tabletop Size (1100-2200)x(700-1000)mm (Not Included)

2 What are the tools you require while installation?


			
Bubble Level	Allen Wrench (Included)	Drill	Phillips Screwdriver

3 What's the thing you'd better have before installation?

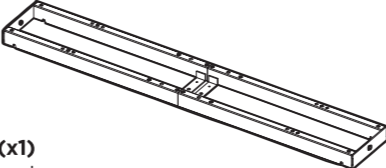
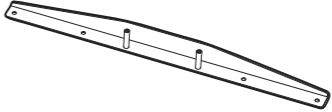
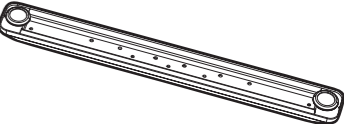
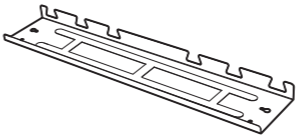
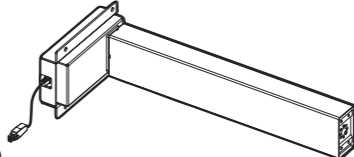

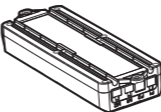
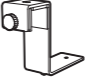
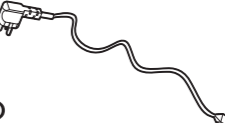



4 Things you need to know before installation

Please check all of the components shown in the component checklist. If any of the components are missing or damaged, contact your point of purchase for a replacement.

 **Disposal:** The product with this mark indicates that this product shouldn't be disposed with other household wastes throughout the EU. To prevent possible harm to the environment or human health from uncontrolled waste disposal, recycle it responsibly to promote the sustainable reuse of material resources. To return your used device, please use the local recycle service or contact your point of purchase to withdrawn the product.

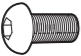

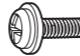






I Checklist and Installation

			
A (x1) Crossbar	B (x2) Side Bracket	C (x2) Foot	
			
D (x1) Cable Management Tray	E (x2) Lifting Column	F (x1) Fixing Plate	
			
G (x1) Control Box	H (x2) Tray Hanger	I (x1) Power Plug	J (x1) Controller

The picture of the controller is for your reference only. Actual product may vary.

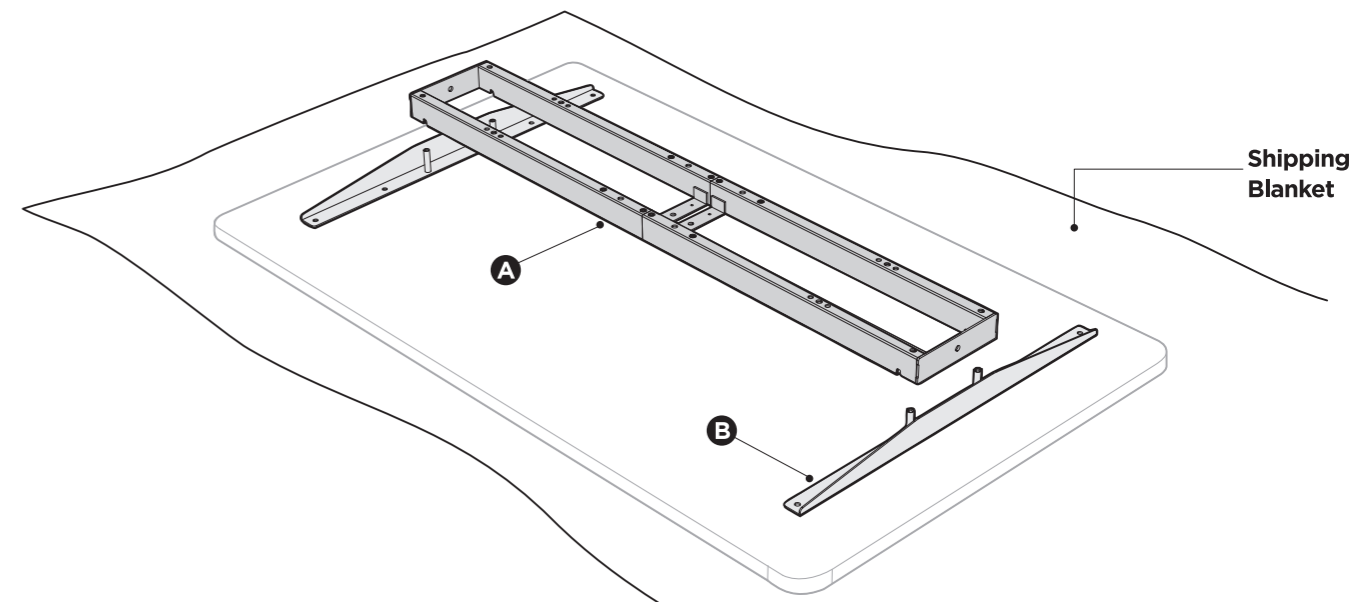


This page can be torn so that it's easier for you to match the components with the images.

<p>S-A (x8) Hex Head Screw</p> 	<p>S-B (x8) Hex Head Screw</p> 	<p>S-C (x10) Phillips Head Screw+ 1 Spacer</p> 
<p>S-D (x5) Phillips Head Screw</p> 	<p>S-E (x2) Phillips Head Screw</p> 	<p>S-F (x4) Phillips Head Screw</p> 
<p>S-G (x3) Cable Clip</p> 	<p>S-H (x10) Anti-Vibration Pad</p> 	<p>S-I (x1) Allen Wrench</p> 

Now let's start the installation.

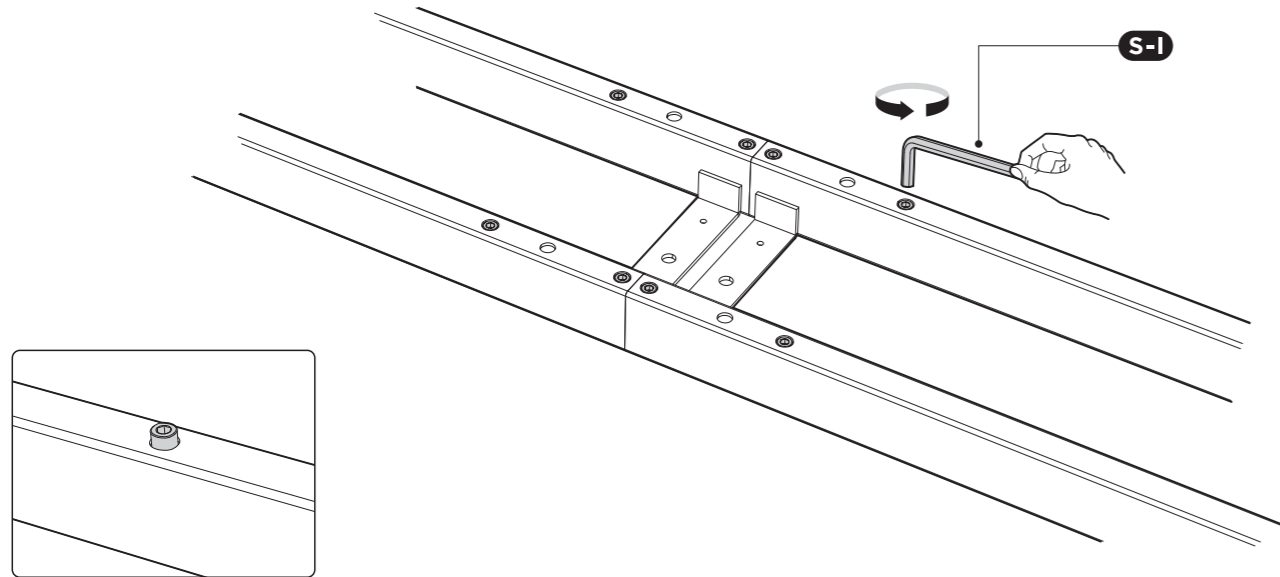
I Attaching Side Brackets



- Please prepare a spacious area for installation, and put a shipping blanket on the area to prevent scratches on the floor and the frame.
- Unpack the **crossbar A**, and carefully place it on the floor. Attach the **side bracket B** to the end of the **crossbar A**. Please don't screw it now.

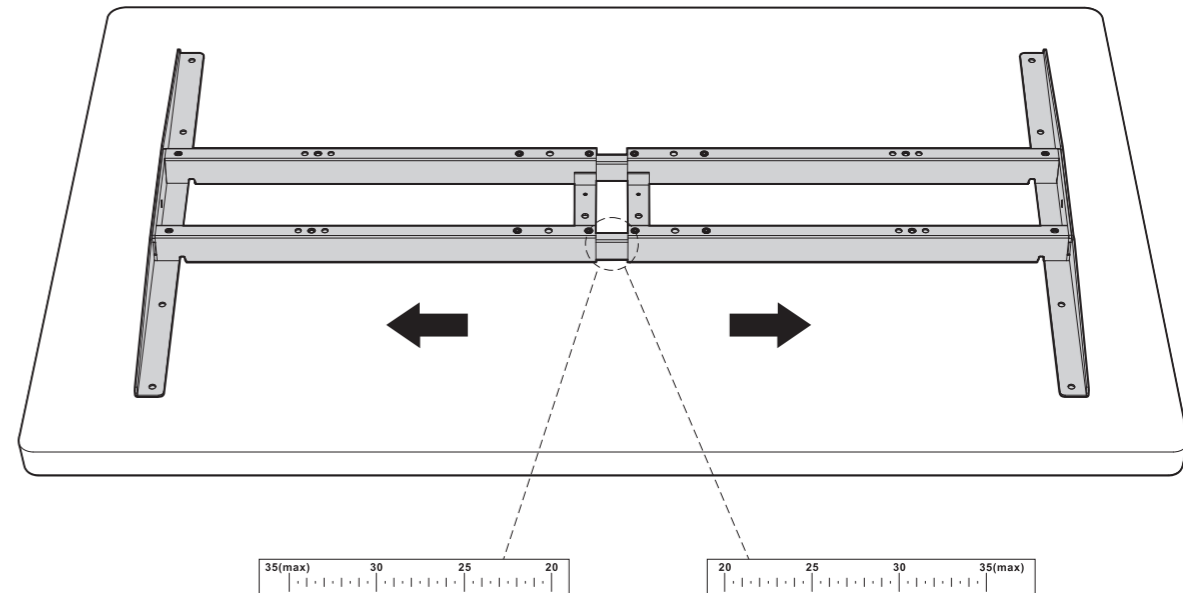
Note: The drawings of both of the crossbar and side brackets are the **backside** of the components. Please make sure the crossbar and side brackets keep facing down while installation, which is convenient for the further steps.

I Adjusting the Crossbar

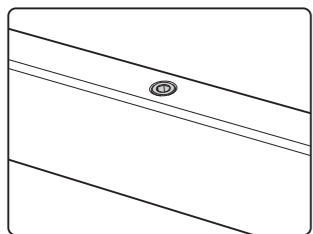


Loosen the hex head screws that fix the adjustable junction, but don't completely take out the screws.

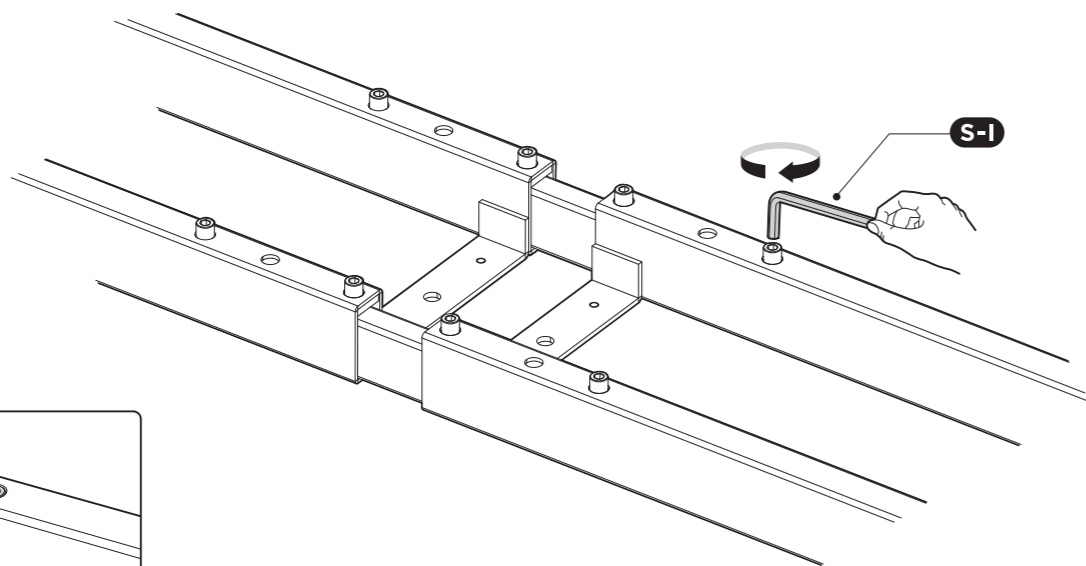
- Place the assembled frame on the back of the tabletop.
- Ensure that the frame is placed in the center of the table.
- Then adjust the frame to suit the size of the tabletop.



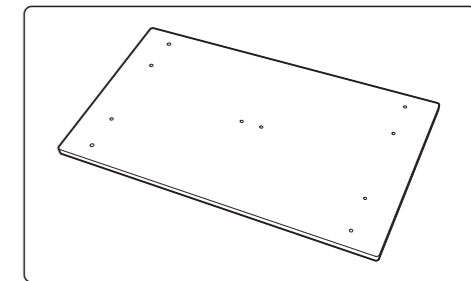
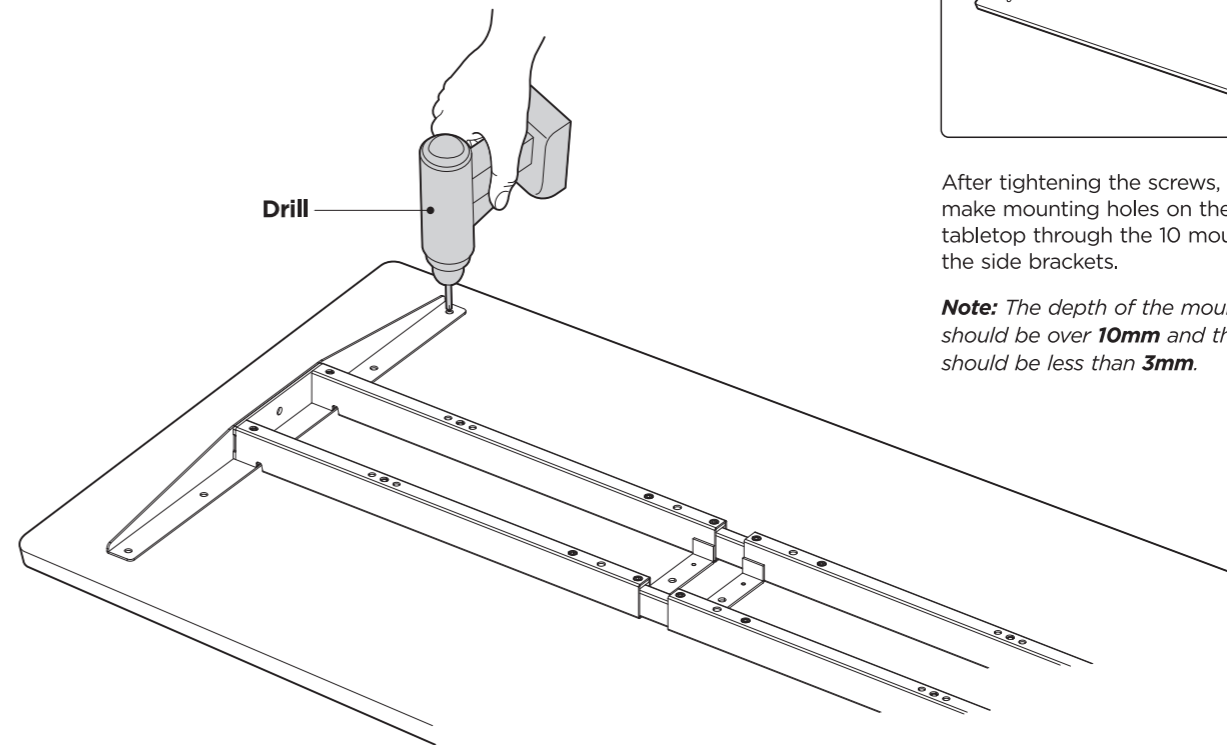
When adjusting the frame position, please make sure it doesn't exceed the range of silk screen printing on the inner crossbar.



Retighten all the hex head screws to finish the adjustment.



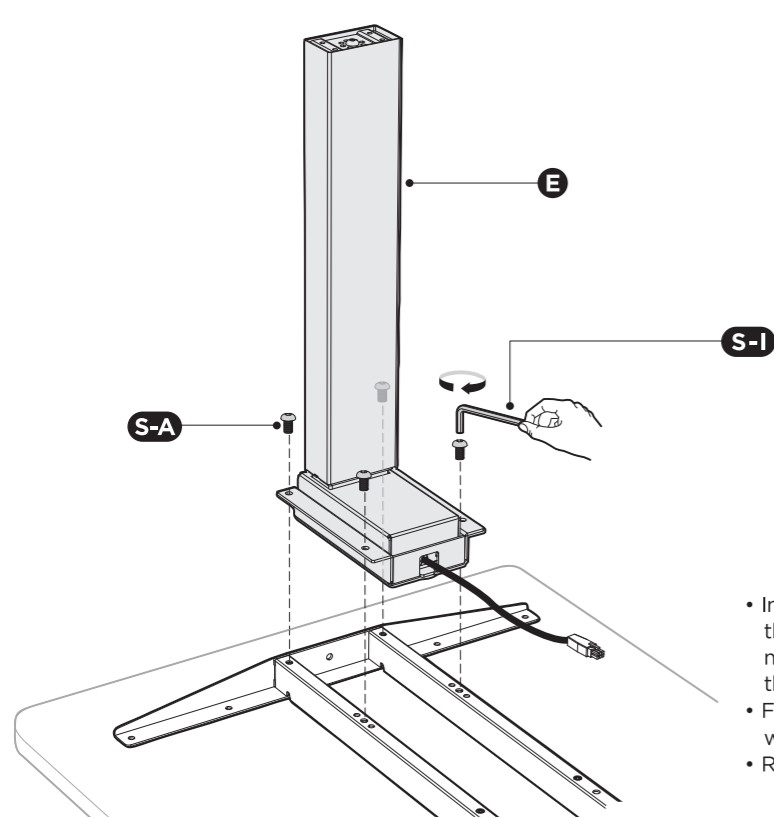
I Drilling Mounting Holes



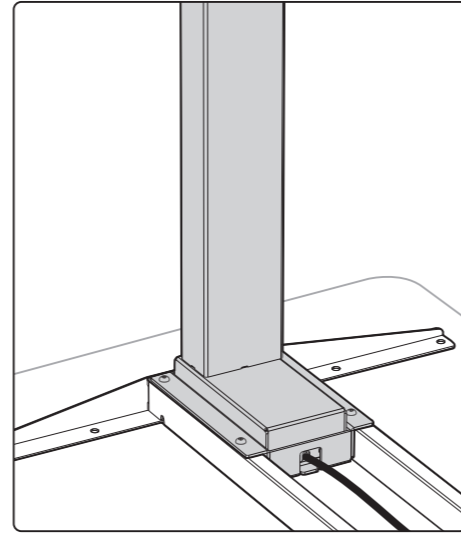
After tightening the screws, use a **drill** to make mounting holes on the backside of the tabletop through the 10 mounting holes on the side brackets.

Note: The depth of the mounting holes should be over **10mm** and the diameter should be less than **3mm**.

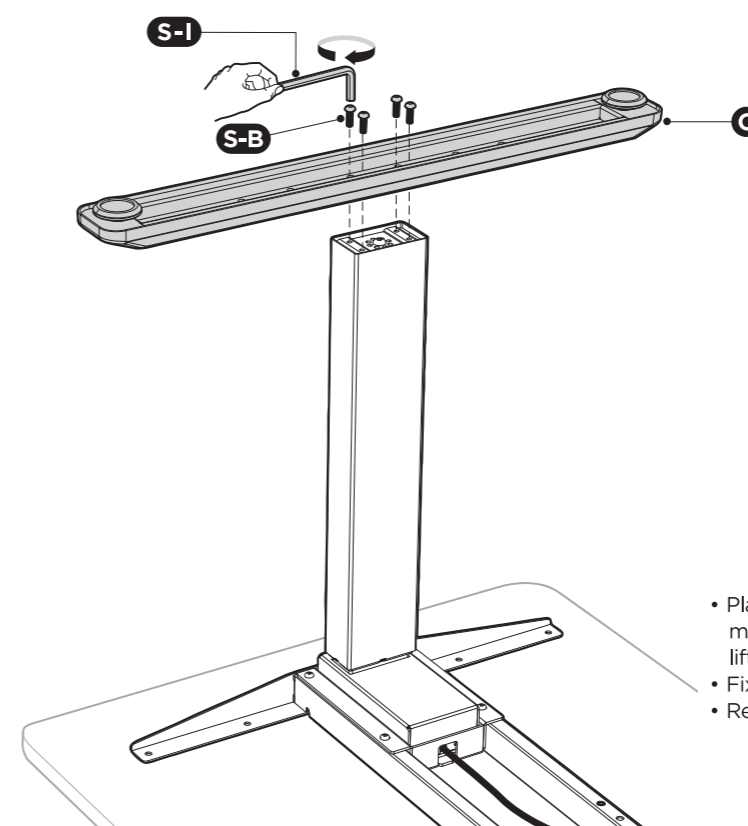
I Attaching the Lifting Columns



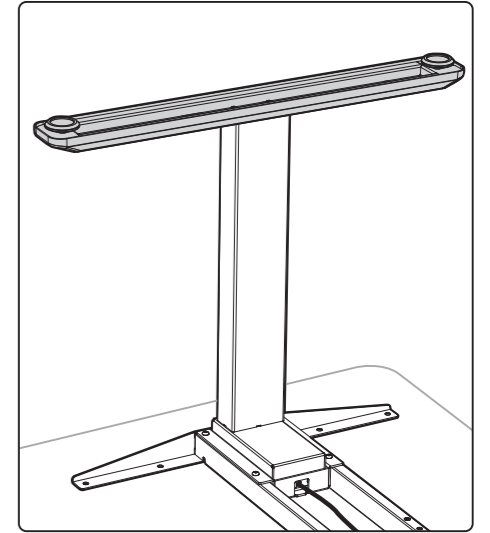
- Insert one lifting column into one end of the crossbar with the head of the lifting column facing inward. Make sure the mounting holes on the lifting column completely align with the screw holes on the crossbar.
- Fix the **lifting column E** with crossbar using **4 screws S-A** with the **Allen wrench S-I**.
- Repeat the same process to assemble the other lifting column.



I Attaching the Feet

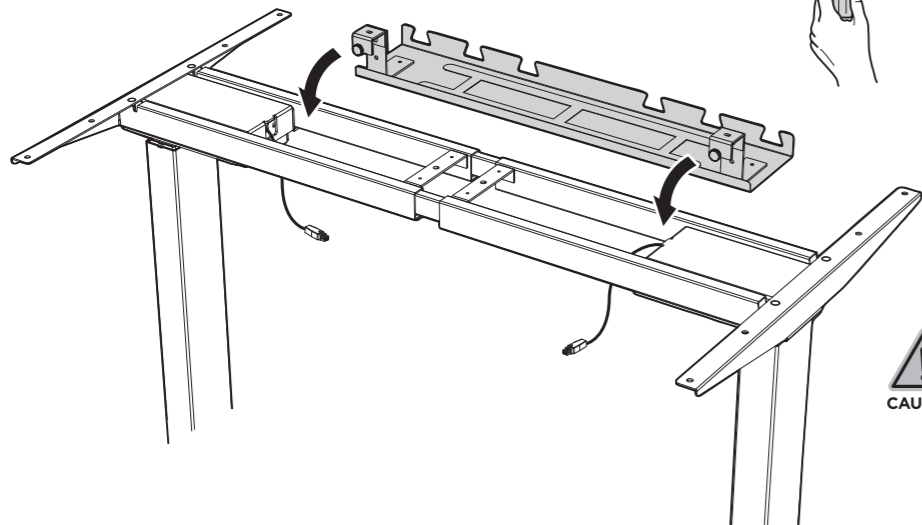
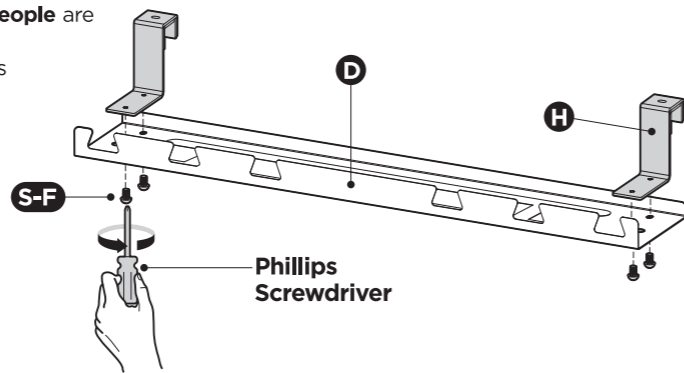


- Place the foot on the bottom of the lifting column. Align the mounting holes on the foot with the screw holes on the lifting column.
- Fix the **foot G** using **4 screws S-B** with the **Allen wrench S-I**.
- Repeat the same process to assemble the other foot.

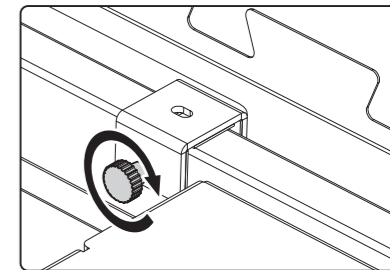
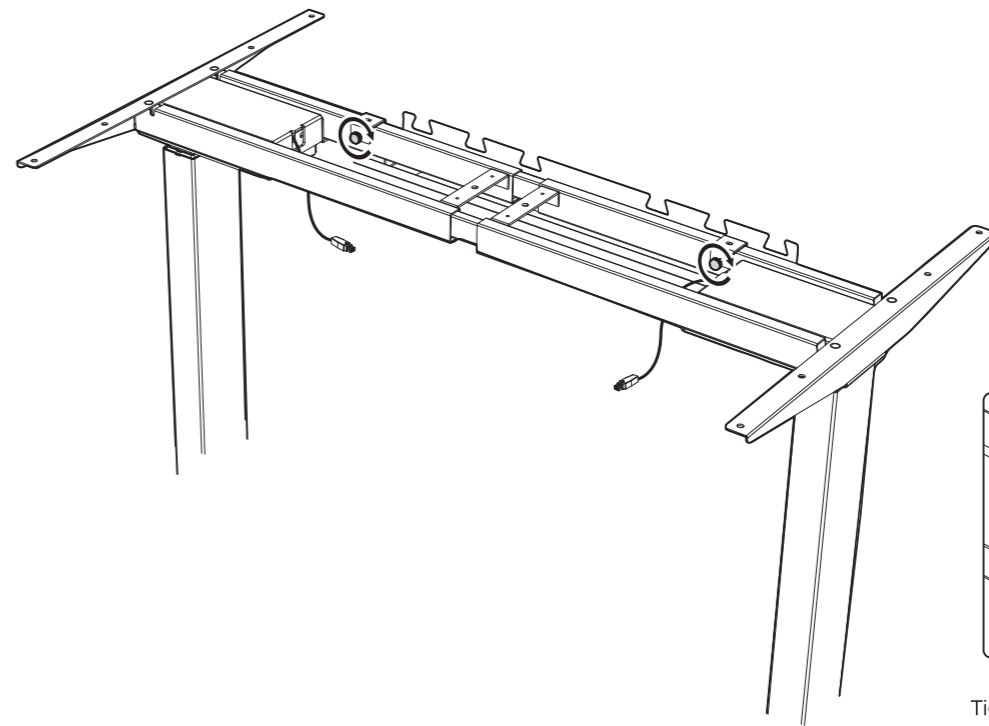


I Attaching the Cable Management Tray

- Turn over the desk frame with the crossbar facing up. **At least two people** are required when turning over the desk frame.
- Align the mounting holes on the **tray hangers H** with the screw holes on the cable management tray **D** with 4 screws **S-F** from below using a **Phillips screwdriver**.
- Hang the cable management tray on the crossbar as shown.



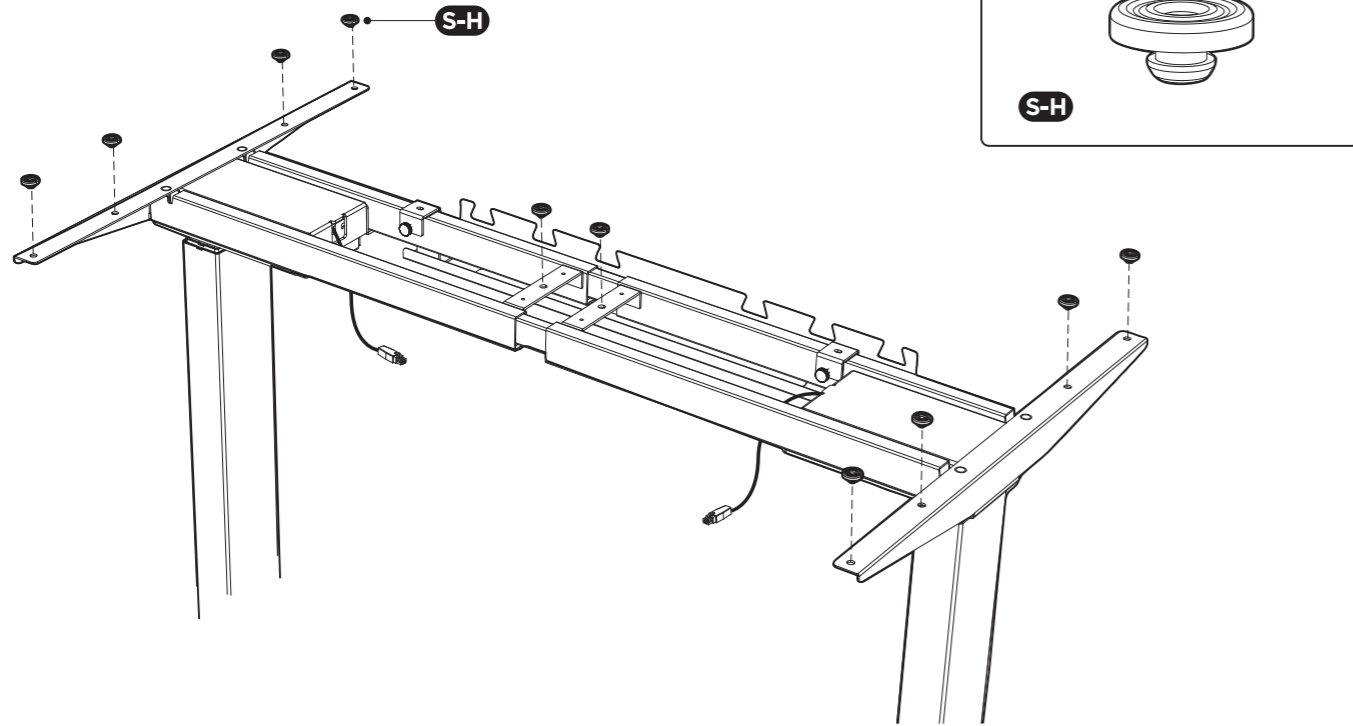
If only one person turns over the desk frame, serious bodily injuries might occur.



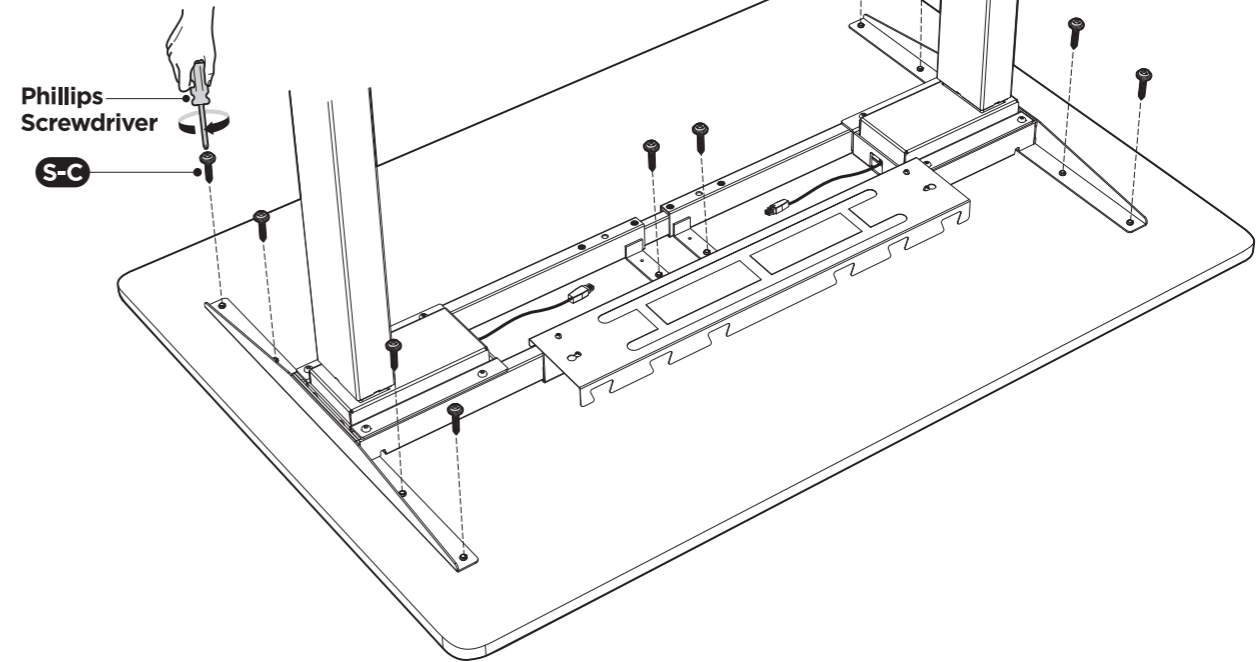
Tighten the knobs on the tray hangers.

I Attaching the Desktop

Attach the **anti-vibration pad S-H** to the desk frame on the ten positions as shown.



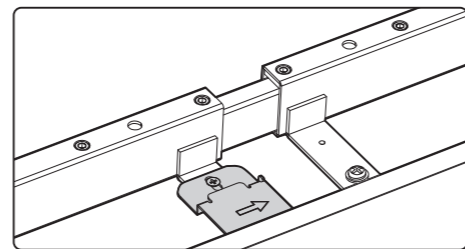
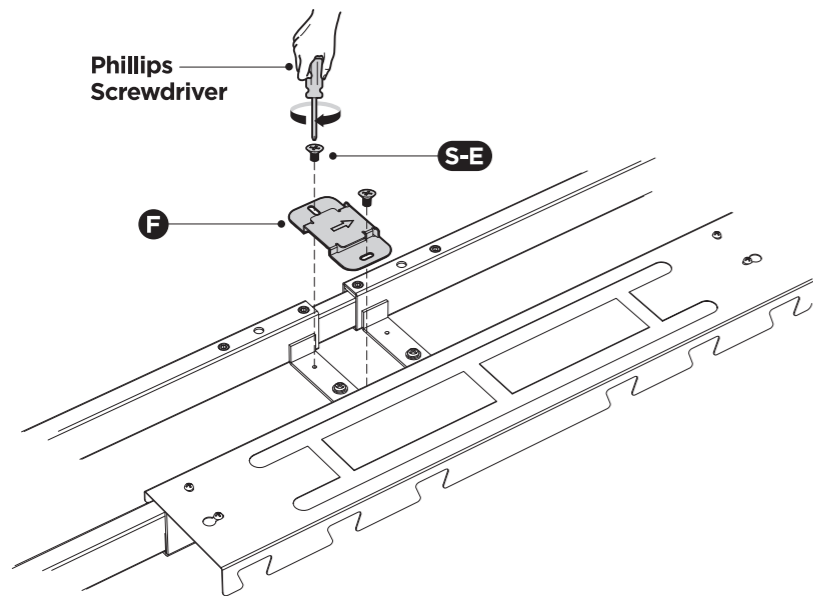
- Turn over the desk frame with the crossbar facing down. At least two people are required when turning over the desk frame.
- Align the previously drilled screw holes on the desktop with the mounting holes on the desk frame.
- Insert and tighten **10 screws S-C** as shown.



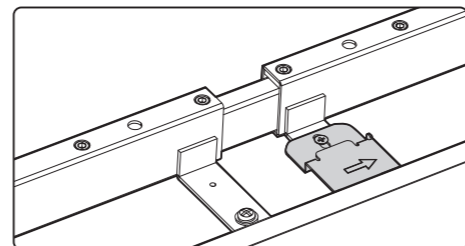
I Attaching the Control Box

- Align the mounting holes on the fixing plate with the screw holes as shown.
- Attach the **fixing plate F** on the center of the crossbar with **2 screws S-E** using a **Phillips screwdriver**.

Note: The arrow on the fixing plate indicates the direction of sliding in the control box. Follow the direction of the arrow to mount the control box in the next step.



OR

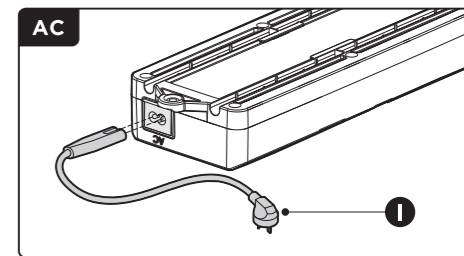
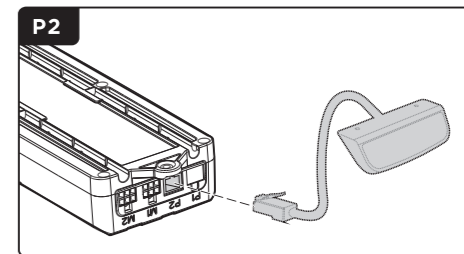
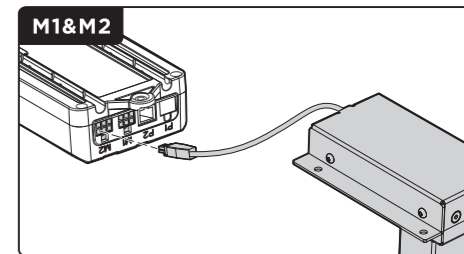
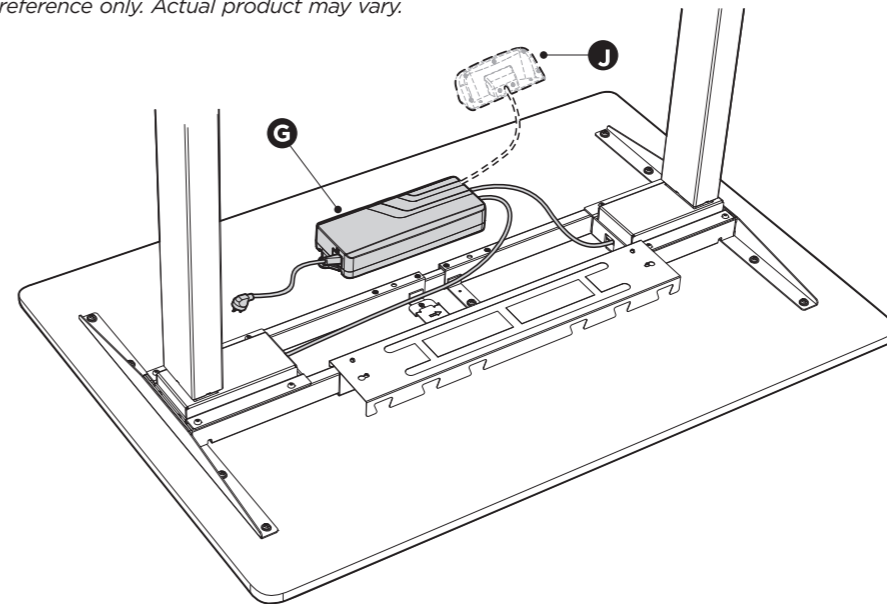


The fixing plate can be attached to either of the right side and the left side.

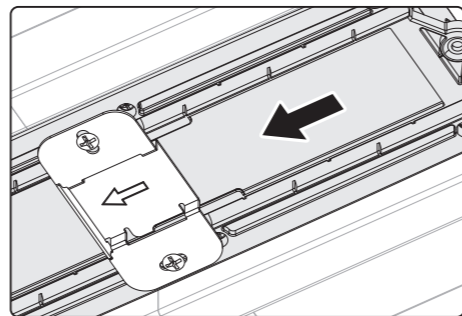
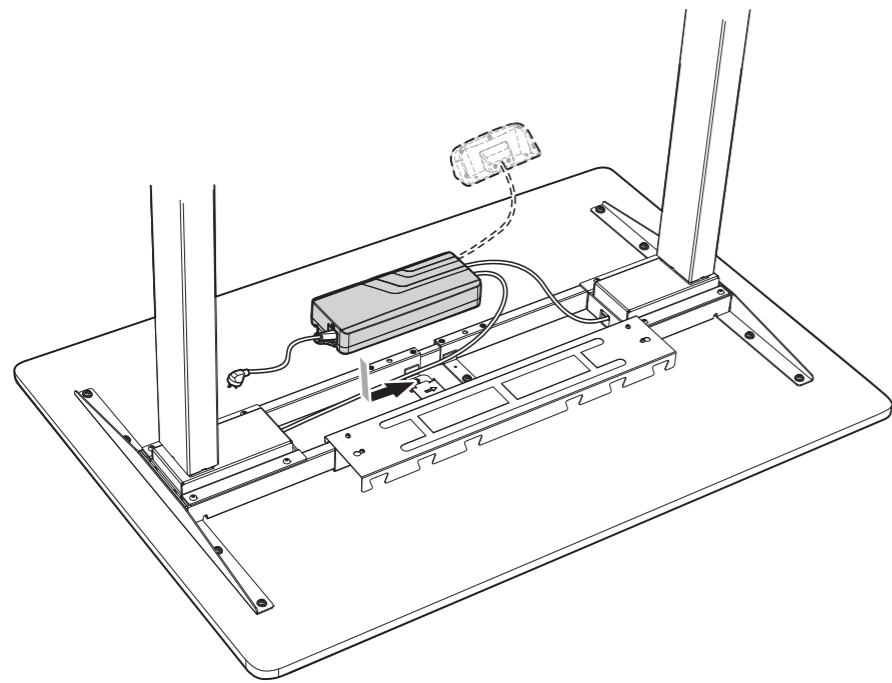
- Insert 2 motor cords into the ports marked "M1" and "M2".
 - Insert the **controller J** cord into the port marked "P2".
 - Insert the **power cord I** into the port marked "AC".
- Note:** Do not plug into the power before the desk is fully assembled.

Note: Please make sure the slot on the **control box G** is facing downward. There is no corresponding relation between the two motor ports and the two lifting columns.

Note: The picture of the controller is for your reference only. Actual product may vary.

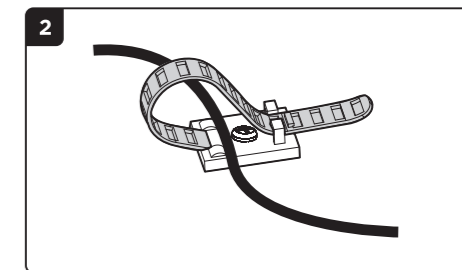
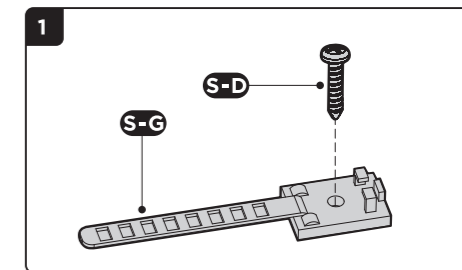
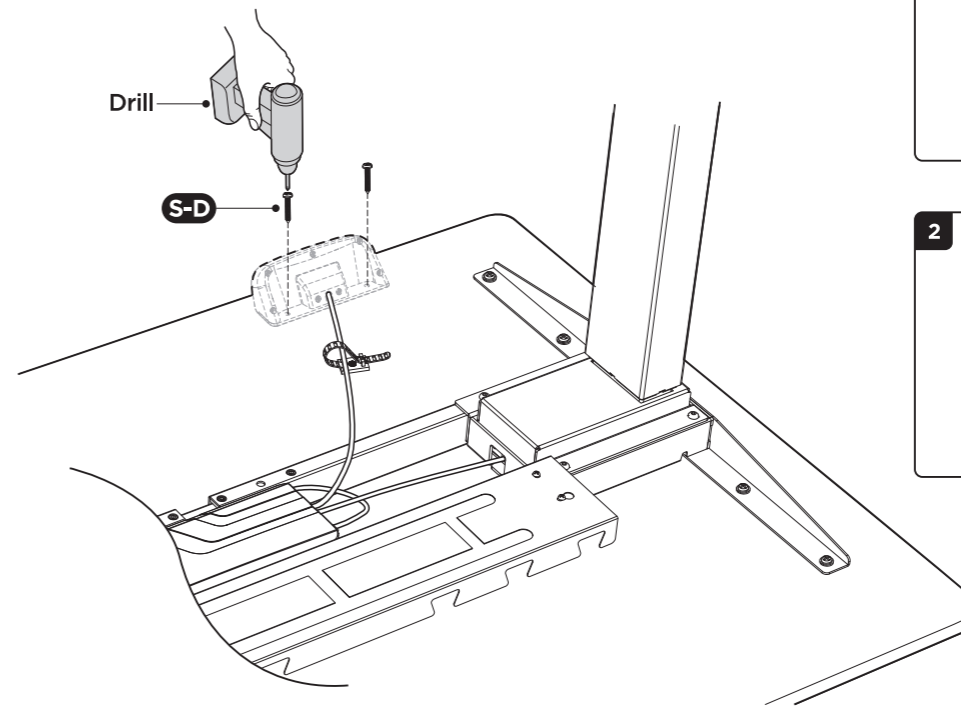


- The arrow on the fixing plate indicates the direction of sliding in the control box.
Follow the direction of the arrow to attach the control box.
- Slide the control box to the center of fixing plate.



I Attaching the Controller

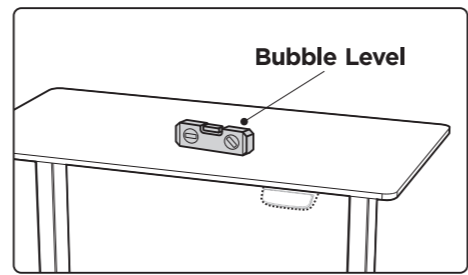
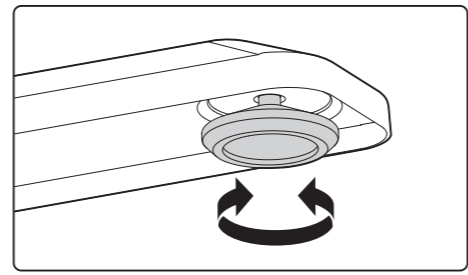
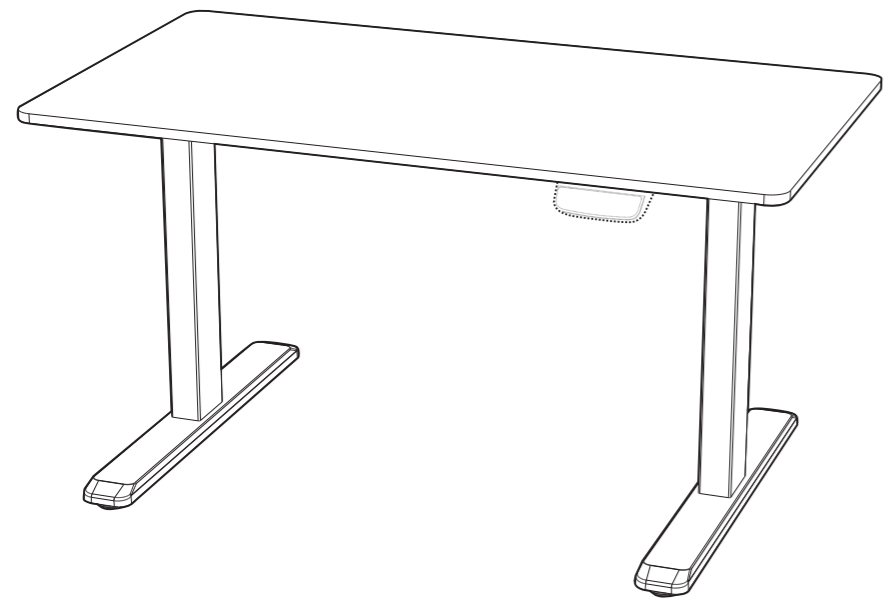
- Attach the controller to the desktop with **2 screws S-D** using a **driller**.
- Run the cables through the **cable clips S-G** and attach the cable clips to the desktop with **screws S-D** to ensure clean and neat surface.



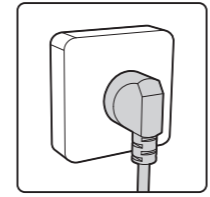
I Level Adjustment

There are two adjustable foot pads under each foot. If the floor isn't even, simply turn the pad to adjust the height to make the desk stable.

Tip: Use a **bubble level** to check if the desktop is even.



I Height Adjustment



Connect the desk to power.
You can now use the sit-stand desk.

Note: We have another manual of the digital controller for detailed instruction. Please check the Digital Control Panel For Electric Height Adjustable Desk User Guide.

