



Model Number:

CAS75905

CAB75905

CIARRA

www.ciarraappliances.com



Dear customer:

Thank you so much for your purchase, please read this instruction manual carefully before installation & use.

If you have any question, please contact us at:

E-mail: info@ciarraappliances.com

CONTENTS

Safety -----	3-4
Specifications -----	5
Before Using the Range Hood -----	6
Prepare for Installation -----	7
Installation -----	8-14
Install the Hood-----	8-12
Carbon Filter Installation-----	13-14
Operation -----	15
Cleaning and Maintenance -----	16-18
Grease Filter-----	16
Carbon Filter -----	16
Stainless Steel Cleaning -----	16
Painted Finish Cleaning-----	16
LED Replacement-----	17-18
Troubleshooting -----	19
Environmental Protection -----	20

WARNING

TO REDUCE THE RISK OF FIRE, ELECTRIC SHOCK, OR INJURY TO PERSONS, OBSERVE THE FOLLOWING:



- Use this unit only in the manner intended by the manufacturer. If you have questions, contact the manufacturer at the address or telephone number listed in the warranty.



- Before servicing or cleaning unit, unplug or disconnect the range hood from the power supply.
- This appliance is not intended for use by persons (including children) with reduced physical, sensory or mental capabilities, or lack of experience and knowledge, unless they have been given supervision or instruction concerning use of the appliance by a person responsible for their safety.
- Installation work and electrical wiring must be done by a qualified person(s) in accordance with all applicable codes and standards, including fire-rated construction.
- Sufficient air is needed for proper combustion and exhausting of gases through the flue (chimney) of fuel burning equipment to prevent back drafting.
- When cutting or drilling into a wall or ceiling, do not damage electrical wiring and other hidden utilities.
- Ducted fans must always be vented to the outdoors.
- Ensure the requirements of the local authorities are adhered to concerning the discharge of exhaust air.
- This unit must be grounded.
- When applicable local regulations comprise more restrictive installation and/or certification requirements, the aforementioned requirements prevail on those of this document and the installer agrees to conform to these at his own expense.
- Clean range hood frequently. Grease should not be allowed to accumulate on fans, filters or in exhaust ducts.



Warning: Failure to install the screws or fixing device in accordance with these instructions may result in electrical hazards.

Safety

WARNING

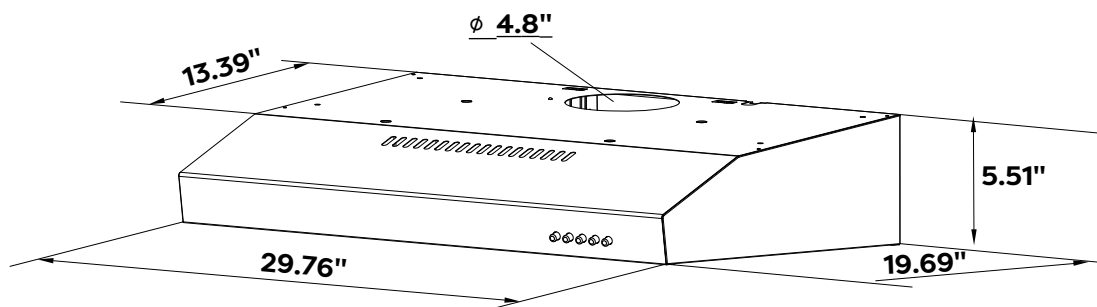
TO REDUCE THE RISK OF INJURY TO PERSONS IN THE EVENT OF A RANGE TOP GREASE FIRE, OBSERVE THE FOLLOWING*:

1. SMOTHER FLAMES with a close-fitting lid, cookie sheet or metal tray, then turn off the burner. BE CAREFUL TO PREVENT BURNS. IF THE FLAMES DO NOT GO OUT IMMEDIATELY, EVACUATE AND CALL THE FIRE DEPARTMENT.
2. NEVER PICK UP A FLAMING PAN – You may be burned.
3. DO NOT USE WATER, including wet dishcloths or towels – This could cause a violent steam explosion.
4. Use an extinguisher ONLY if:
 - a) You own a Class ABC extinguisher and you know how to operate it.
 - b) The fire is small and contained in the area where it started.
 - c) The fire department has been called.
 - d) You can fight the fire with your back to an exit.

CAUTION

- For indoor use only.
- For general ventilating use only. Do not use to exhaust hazardous or explosive materials and vapors.
- To avoid motor bearing damage and noisy and/or unbalanced fan blade, keep drywall spray, construction dust, etc. off range hood.
- Your hood motor has a thermal overload which will automatically shut off the motor if it becomes overheated. The motor will restart when it cools down. If the motor continues to shut off and restart, have the hood serviced.
- Always follows the cooking equipment manufacturer's requirements regarding the ventilation needs.
- To reduce the risk of fire and to properly exhaust air, be sure to duct air outside – Do not exhaust air into spaces within walls or ceiling or into attics, crawl space or garage.
- When installing, servicing or cleaning the unit, it is recommended to wear safety glasses and gloves.
- Please read specification label on product for further information and requirements.

Specifications



Voltage	110V-120V/60Hz
Power of Motor	1 x 100W
Power of lamps	2x 3W
Appliance Dimension	29.76*19.68*5.51(inch) (W x D x H)
Note: The manufacturer reserves the right to change any technological improvement or modification without prior notice.	








Before Using the Range Hood



CAUTION: Before proceeding to the installation, check if items are missing or damaged, contact the manufacturer.

Observe all governing codes and ordinances. Have a qualified technician install the range hood. It is the installer's responsibility to comply with installation clearances specified on the model/serial rating plate. The manufacturer declines all responsibility for improper installation and does not accept responsibility for appliance warranty in the event of damage caused by incorrect installation.

COMPONENTS:

	Part 1: Wall Plug 0.31"	X 6		Part 5: 1:1 Installation Diagram	X 1
	Part 2: 0.16"*1.18" Screws	X 6		Part 6: Outlet Component	X 1
	Part 3: Installation Manual	X 1		Part 7: Outlet cover	X 1
	Part 4: Range Hood Body	X 1			

YOU WILL BE NEEDING THESE TOOLS FOR INSTALLATION



1. Protective Gloves



4. Double Sided Tape or Tape



2. Spirit Level Ruler



5. Cross-Head Screwdriver Set



3. Measuring Tape



6. Electric drill and 8mm drill

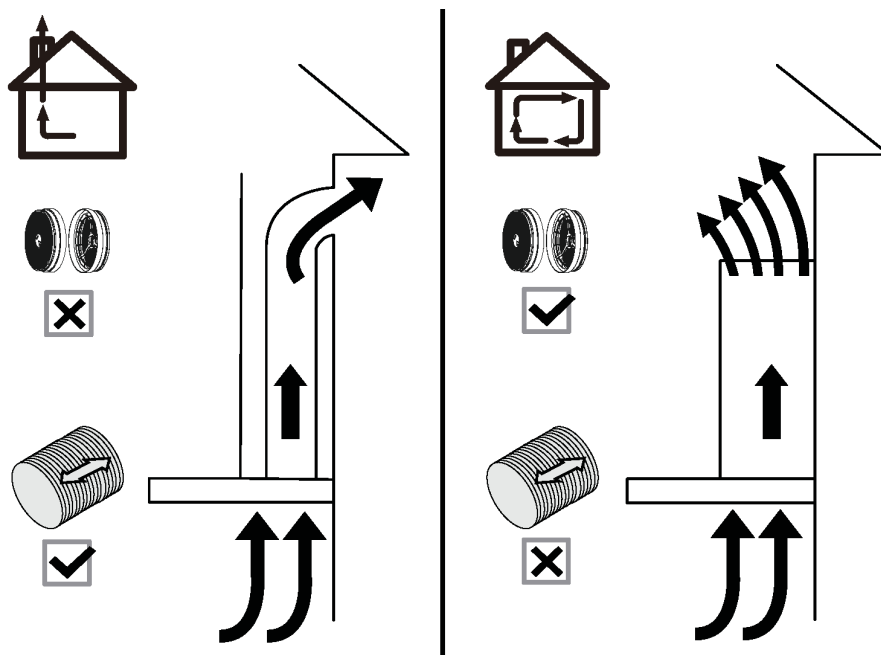
Prepare for Installation

Prepare for Installation:

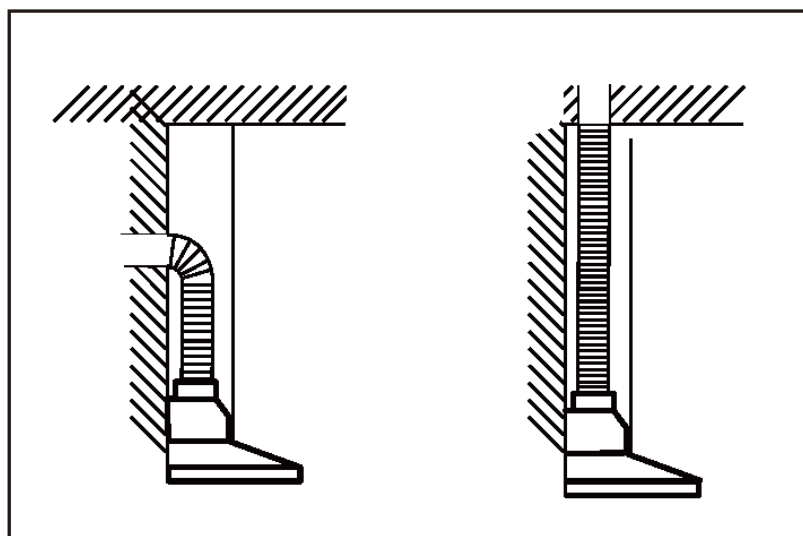
a) Ventilation Mode

Recirculation Mode: Recirculating with carbon filter (required), the smells and odors can be filtered and vented through the top vented hole and the exhaust pipe is not required.

Extraction Mode: You can install the 59" long and 6" diameter aluminum exhaust pipe for extracting, which is included in the installation kit.



- b) When possible, use at least 2 foot straight runs before any turns. Larger duct work may be required for best performance with longer duct runs.



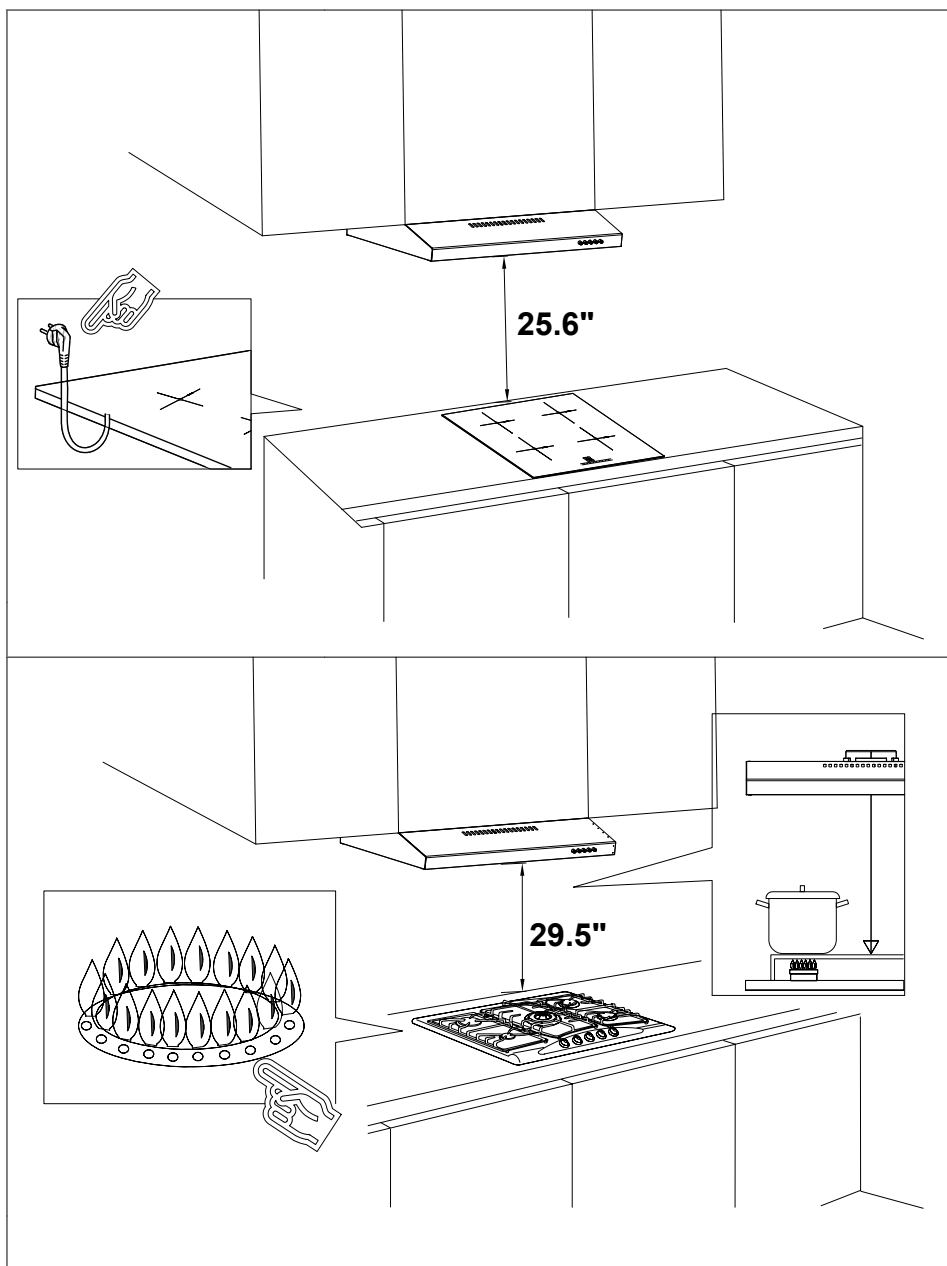
- c) Before installation, don't connect the power.

Installation



Install the Hood (Extraction) :

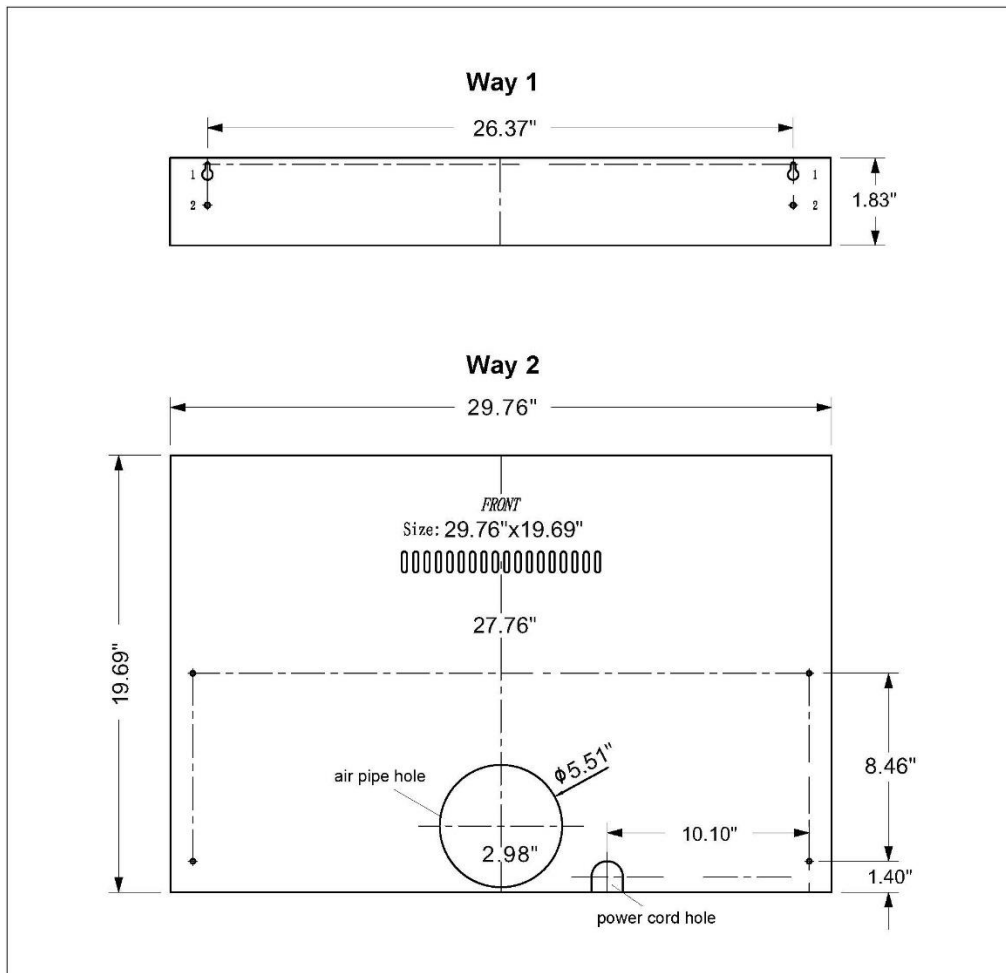
- 1) Remove all protective poly film from the hood and/or parts.
- 2) Recommend installation height: 25.6"~29.5" above the cooktop for best extraction.
 - ◆ Required height over gas hob: 29.5";
 - ◆ Required height over electric hob: 25.6".



Installation

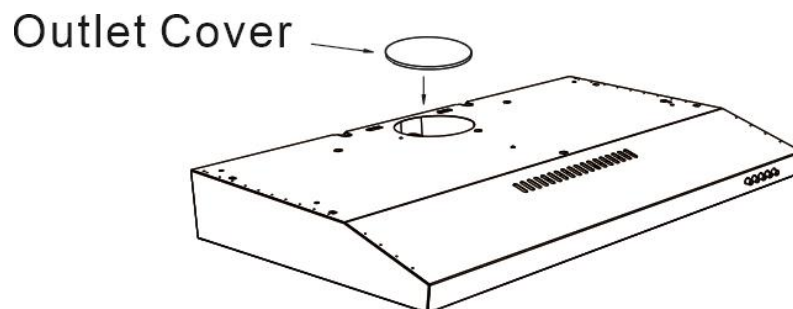
Install the Hood:

If present, remove all protective polyfilm from the hood and/or parts. This product can be installed in two different ways (**Way 1** and **Way 2**). Below picture shows the 1:1 hole drawing of different installation methods.



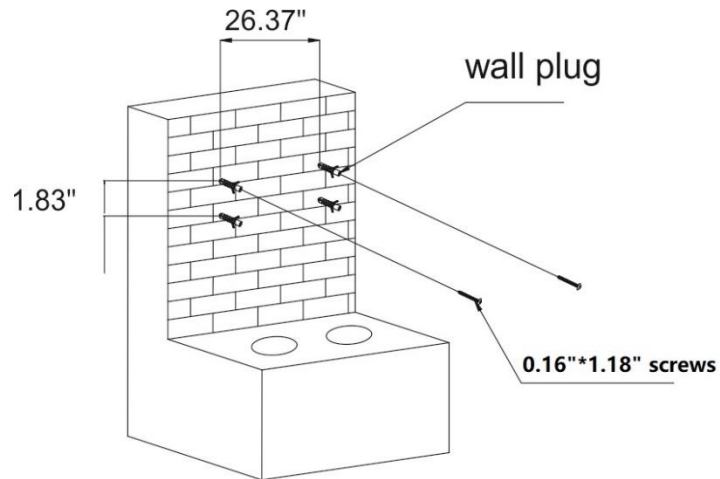
Way 1:

- 1) Install the Outlet Cover on the circular air outlet at the back of the range hood;

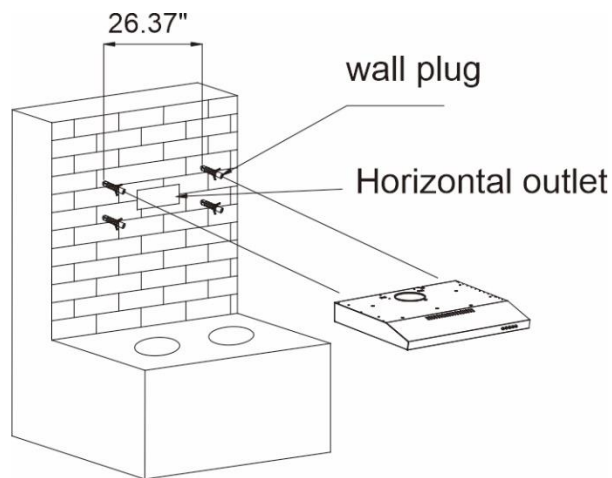


Installation

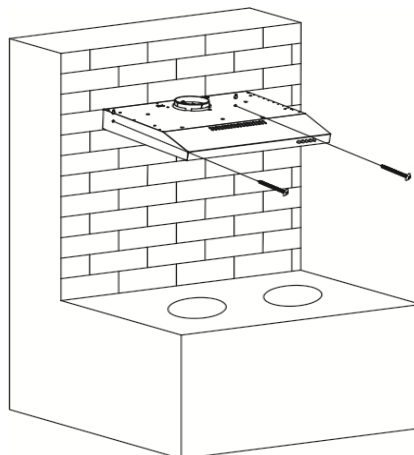
- 2) According to the 1:1 hole drawing of **Way1**, Drill four $\text{Ø}0.31$ " holes on the wall, install the wall plug (this step can be ignore if the wall is wooden and instead to use screws to install directly, no need to drill.), insert the upper two wall plugs with $0.16" \times 1.18$ " screws, do not lock too tight them first, and leave a gap of no less than 0.2 ";



- 3) Put the range hood onto the top two screws, and lock the self tapping screws tight;



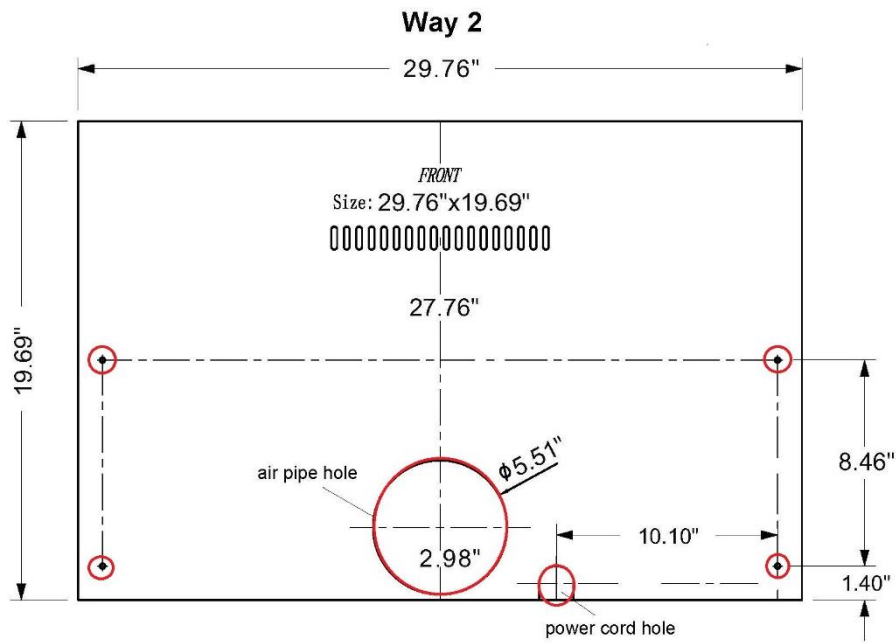
- 4) Lock the lower two holes with $0.16" \times 1.18$ " screws.



Installation

Way 2:

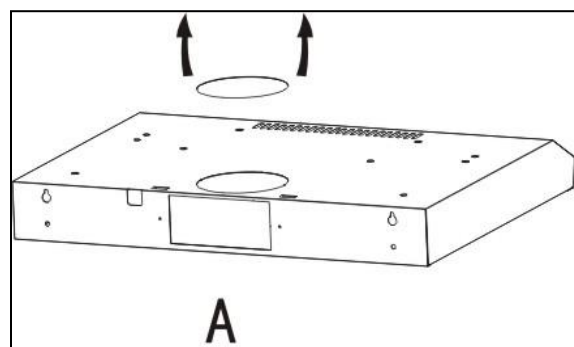
- 1) According to the 1:1 hole drawing of **Way 2**, mark the following positions with pencil under the cabinet, and use the drilling tool to open the air pipe hole and power cord hole in turn.



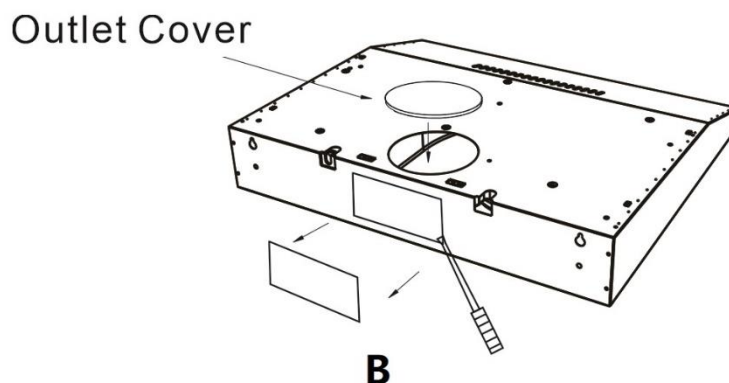
- 2) There are 2 methods for ventilation, including “horizontal ventilation” and “vertical ventilation”. Please pay attention to the ventilation method when installation.

Vertical ventilation: See Pic A, please use tool take out the round cover before using, and the air can be vented from top;

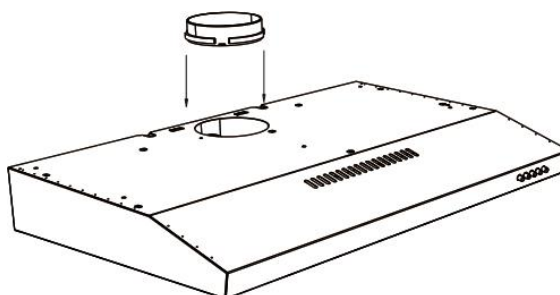
Horizontal ventilation: See Pic B, please use tool take out the rectangular cover before using, and the air can be vented from back.



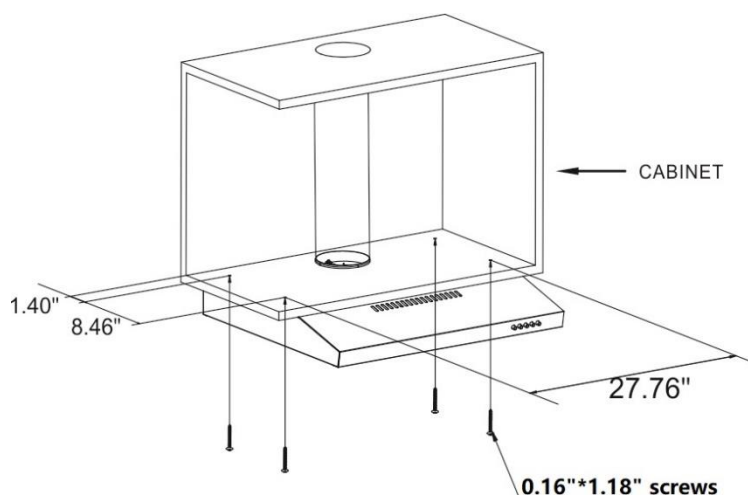
Installation



- 3) Install the air outlet assembly on the circular air outlet at the back of the range hood;



- 4) Align the air ventilation port of the range hood with the cabinet ventilation hole at the bottom, pass the power cord through the power hole, and then use four 0.16"*1.18" screws to lock into the corresponding position of the pencil marked in the cabinet to fix the range hood.



NOTE:

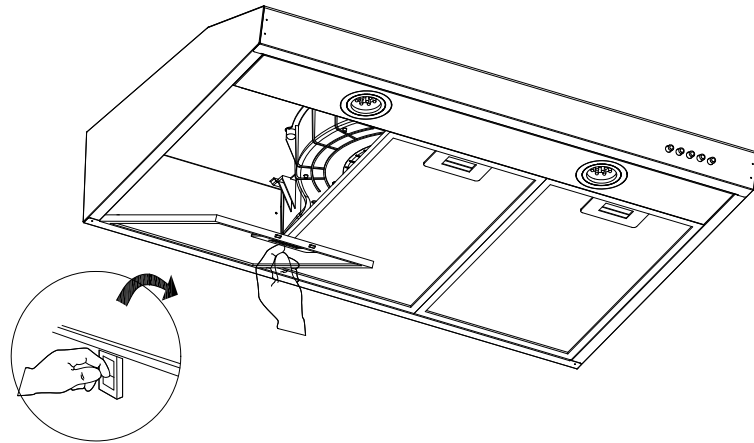
- The extensible pipe are optional accessory, not supplied.
- Connect ductwork to hood and use metal foil duct tape to make joints secure and air-tight.
- Make sure the damper assembly (or round duct plate) enters the ductwork and that the damper opens and closes freely.

Installation

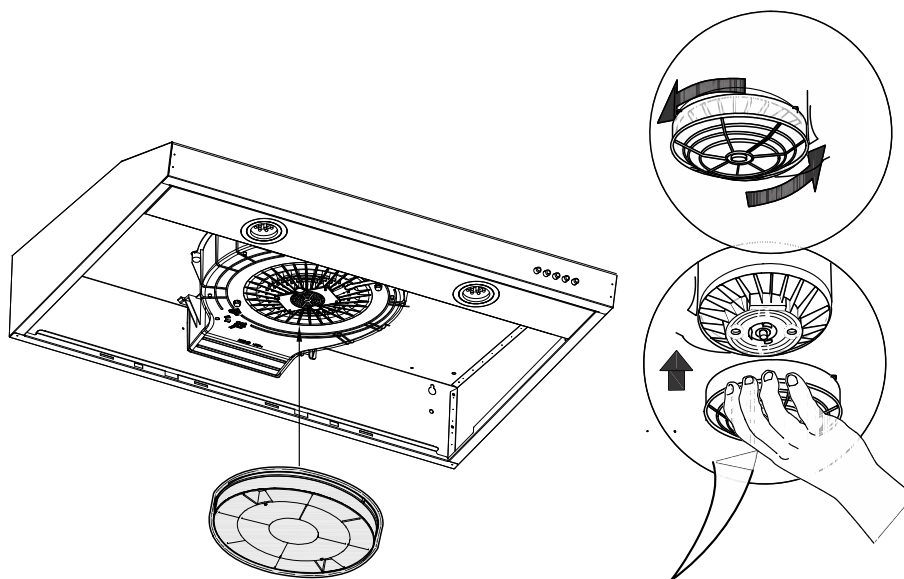
Activated Carbon Filter Installation:

1. Activated carbon filter can be used to trap odors.

In order to install the activated carbon filter, the grease filter, the grease filter should be detached first. Press the lock and pull it downward.



2. Plug the activated carbon filter into the blower as shown and turn it in anti-clock wise direction.



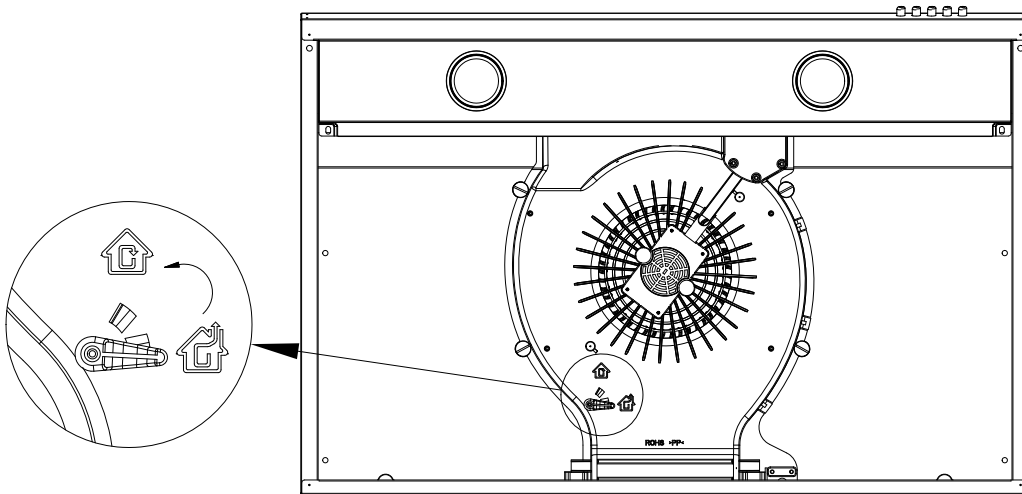
3. Install the grease filter. If replacement, please turn it in clockwise direction.

NOTE:

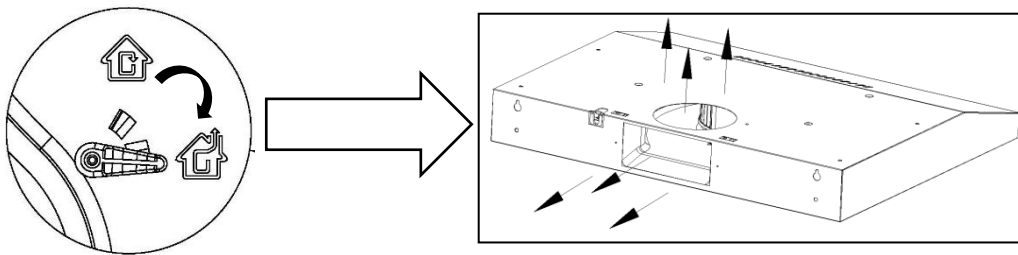
- Make sure the filter is securely locked. Otherwise, it would loosen and cause dangerous.
- When the activated carbon is installed, the suction of the range hood will be reduced.

Installation

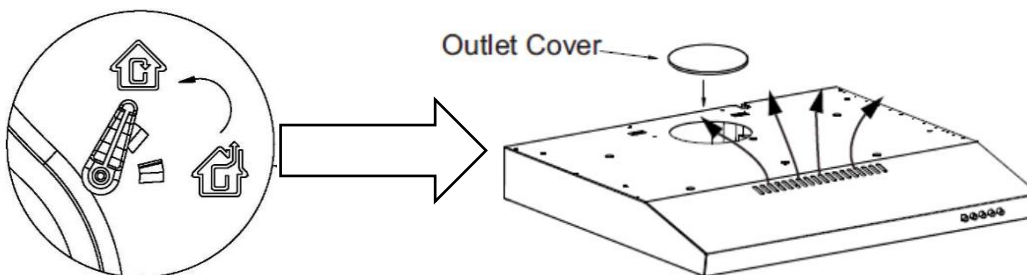
Air ventilation setting



- Outdoor exhausting: Turn the adjuster to outdoor position, install the outlet, turn on the range hood, then the air will be vented from the outside outlet.



- Recycling: the recycling mode with activated carbon filter, Turn the adjuster to indoor position, install the outlet cover, turn on the range hood, then the air can be vented from the inside outlet.



NOTE:

- The activated carbon filter should be changed every 2-4 months depending on the conditions of use.
- The charcoal cannot be washed or recycled, the carbon filter shouldn't be exposed to heat.

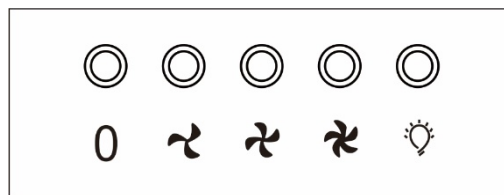
Operation

Always turn your hood on before you begin cooking to establish an airflow in the kitchen.

Let the blower run for a few minutes to clear the air after you turn off the hood. This will help to keep the entire kitchen clean and fresh.

Mechanical Push button

Operate the hood as follows:



0 Off button

It's used to turn off the fan.

Low Speed button

For air ventilation with barely no noise; or simmering with very little smoke and steam.

Medium Speed button

For your everyday cooking purpose.

High Speed button

High-Speed for stir-fry or cooking with lots of smoke and grease produced.

Light button

When lights are OFF, press this button once to turn ON the lights. Press this button again to turn OFF the lights.

Cleaning and Maintenance

Proper maintenance of the Range Hood will assure proper performance of the unit. Before cleaning unit, unplug or disconnect the range hood from the power supply.

GREASE FILTERS

The grease filters should be cleaned frequently. Can be cleaned in dishwasher under high temperature without using any detergent.

CARBON FILTER

The carbon filter should be changed every 2-4 months depending on the conditions of use. Replace more often if your cooking style generates lots of greases, such as stir frying. These filters are not washable and cannot be reused. Refer to installation instructions included with a carbon filter.

STAINLESS STEEL CLEANING

Do:

- Regularly clean it with a cloth or rag soaked with warm water and mild soap or liquid dish detergent.
- You may also use a specialized household stainless steel cleaner.

Don't:

- Use any steel or stainless-steel wool or any other scrapers to remove stubborn dirt.
- Use any harsh or abrasive cleansers.
- Let plaster dust or any other construction residues reach the hood. During construction/ renovation, cover the range hood to make sure no dust sticks to the stainless-steel surface.

Avoid when choosing a detergent:

- Any cleaners that contain **bleach** will attack stainless steel.
- Any products containing: **chloride, fluoride, iodide, bromide** will deteriorate surfaces rapidly.
- Any combustible products used for cleaning such as **acetone, alcohol, ether, benzol**, etc., are highly explosive and should never be used close to a range.

PAINTED FINISH CLEANING:

Clean with warm water and mild detergent only. If discoloration occurs, use a finish polish such as automotive polish. (DO NOT use a rough abrasive cleaner or porcelain cleaner.)

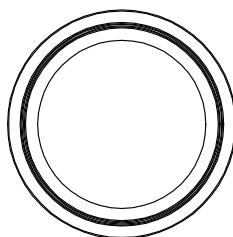
Cleaning and Maintenance

LED REPLACEMENT

- Rectangle LED lamp:

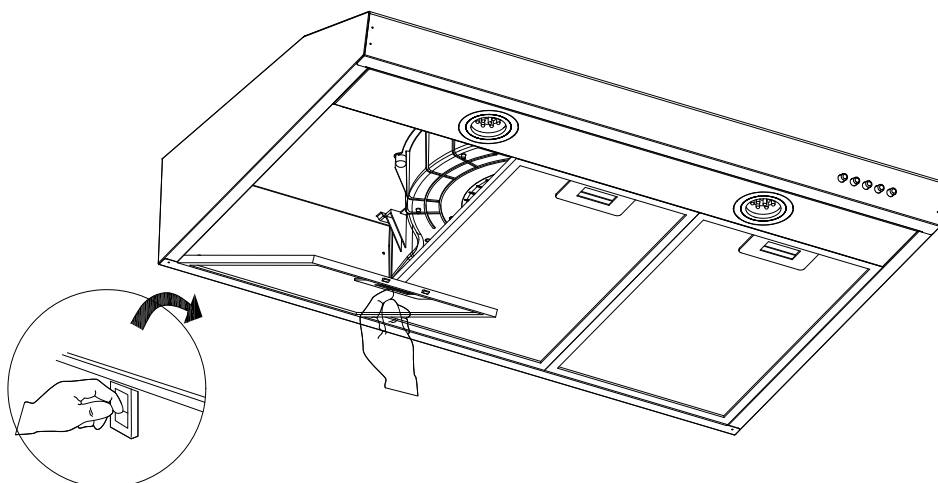


CAUTION:

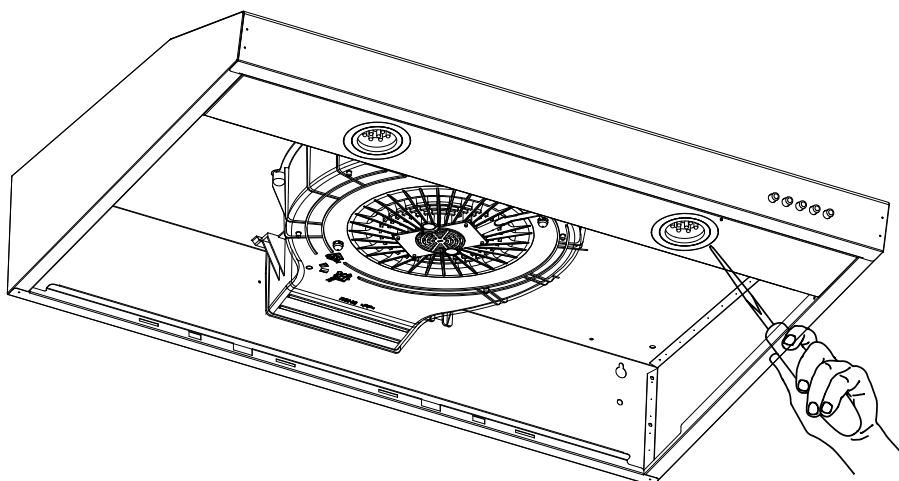


Before cleaning or repairing and replacing accessories, please make sure to shut down the power before operation, so as to avoid electric shock, damage to human body and even endanger life safety!

1. Turn off the hood and unplug the power outlet. Detach the grease filter in order for you to replace the LED lamp.

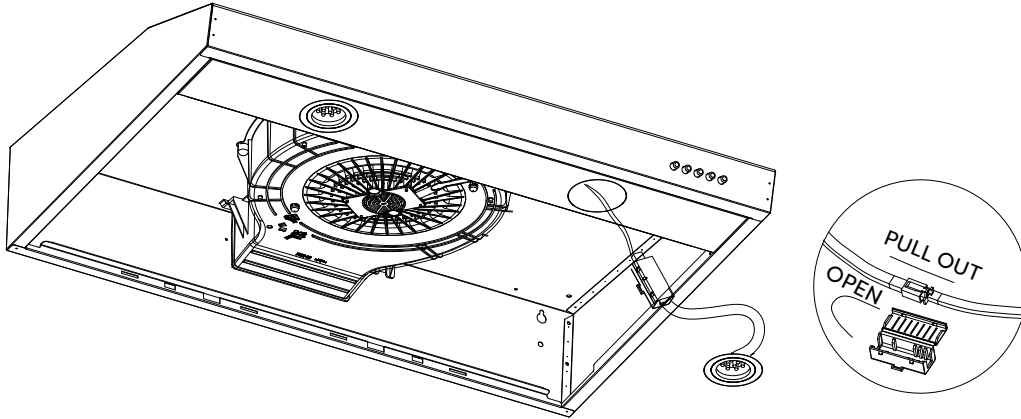


2. Push the LED lamp holder out from the cabinet by hand, or use screwdriver to prize up the LED lamp around the edges, pull out slotted the LED lamp and the wire together.

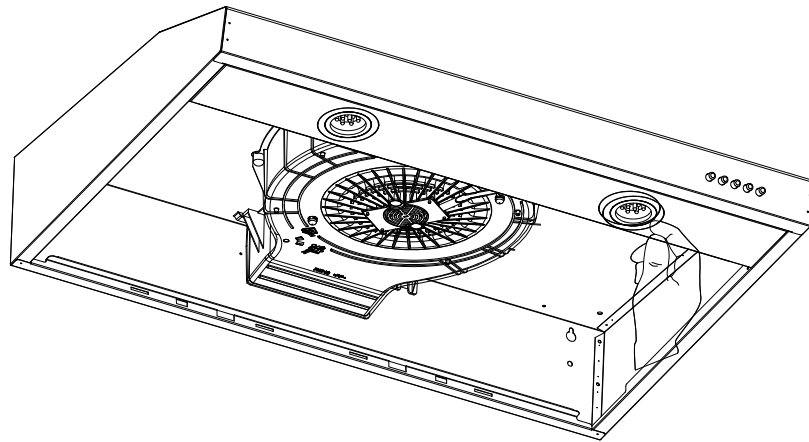


Cleaning and Maintenance

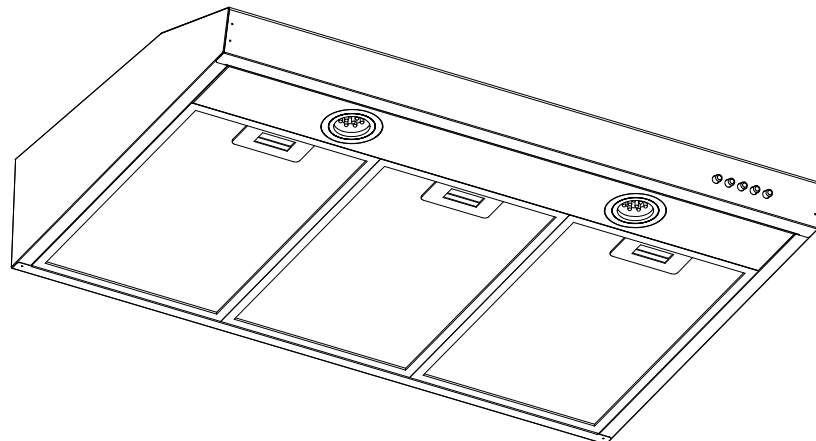
3. Open the power protection cover, pull out the plug and replace the corresponding model of the LED lamp.



4. Turn the power on and test all blower and light functions to ensure they are operating properly.
Insert the new LED light gently into the light socket, please make sure you aim at the grooves on the lighting panel when installing. Push the LED light in until it is flushed with the light panel.



5. Put the grease filter back on, you are good to go.



Troubleshooting

Problem	Possible Cause	Solution
Extractor hood does not turn on	No electrical supply	Make sure that range hood is plugged into powered outlet. Test outlet with other device if not working
My range hood has poor performance	Inadequate ventilation	Ensure that the kitchen is sufficiently ventilated to allow entry of fresh air
	The range hood and cooktop are too far away from each other	Optimal distance is 65~75cm above the cooktop for best extraction
	Check and make sure the tape holding down the damper flaps at the vent hole are removed before use	Remove the tape holding down the damper
	Grease filters clogged with grease build-up	Clean the grease filters or replace the grease filters
	Carbon filters clogged with grease build-up	Replace new carbon filters
	Motor is running but no extraction	Please contact CIARRA Customer Care Service
My range hood is noisy	Check inside the range hood for any loose debris and remove	Please contact CIARRA Customer Care Service
	If the noise is from the motor, please contact our Customer Care Service	
Lights are not working	Light is damaged	Replace with new LED lamp; remove grease filters, reach inside behind the control panel and locate the wire with clip behind the light housing.
	The light wire terminal is loose	Reset the connection

If problem persists after the above checks, please contact CIARRA Customer Care Centre for assistance.

Environmental Protection

Waste electrical products should not be disposed of with household waste. Please recycle where facilities exist. Check with your Local Authority or retailer for recycling advice.



By ensuring this product is disposed of correctly, you will help prevent potential negative consequences for the environment and human health, which could otherwise be caused by inappropriate waste handling of this product.

The symbol on the product indicates that this product may not be treated as household waste. Instead it shall be handed over to the applicable collection point for the recycling of electrical and electronic equipment.

Disposal must be carried out in accordance with local environmental regulations for waste disposal.

For more detailed information about treatment, recovery and recycling of this product, please contact your local city office, your household waste disposal service or the shop where you purchased the product.

