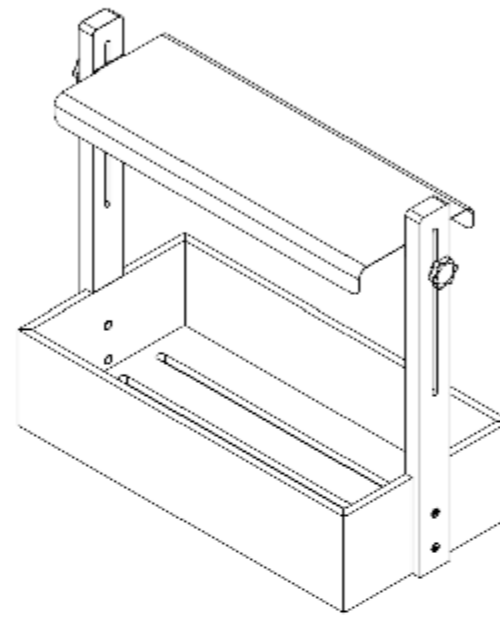




GrowLED®

Quick Setup Guide



Model No.: GLWSIGO8SP

IMPORTANT SAFETY INSTRUCTIONS

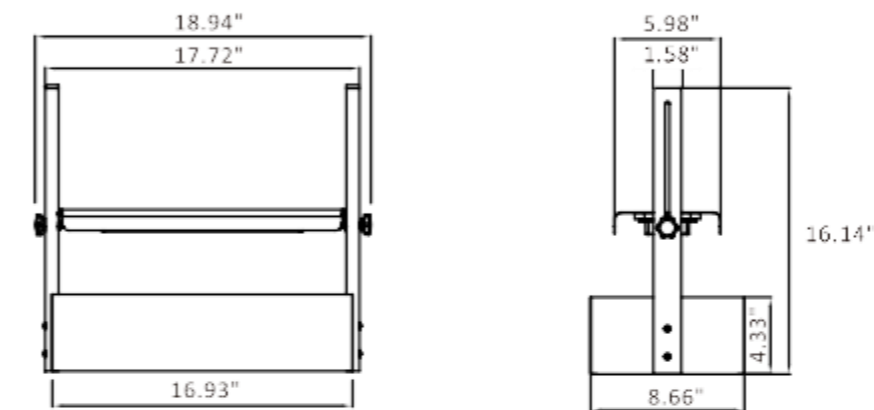
Read all instructions before using this GrowLED indoor garden.

- WARNING-** to reduce risk of burns, fire, electric shock, or injury to people. Unplug from outlet before assembling, taking off or cleaning parts.
- Please take proper precautions when operating the GrowLED indoor garden near or by people requiring close supervision, children included.
- This device's safety is guaranteed only if these instructions are followed properly, therefore they should be kept for any future maintenance.
- Never operate GrowLED indoor garden if it has a damaged cord or plug. If the cord or plug has been dropped, damaged or in water before, it may not working. If this happens, please contact customer service for assistance.
- The cord or electrical components should not be exposed to any liquid or detergent.
- Clean the indoor garden by using a damp, soft and clean cloth.
- Do not use outdoors.
- Do not allow water to touch hot LED lighting module.
- Keep indoor garden away from any direct sources of heat (stove, furnace vents etc.).
- Do not place or submerge cord, plug, LED lighting panel in water or other liquid to clean it.
- Electrical wiring must be in accordance with local regulations by qualified technicians.
- This product is for household and residential use only.** It is not approved for commercial applications.
- If the cord you received is damaged, it must be replaced by manufacturer in order to avoid hazard.
- Do not use GrowLED indoor garden for other intended use.
- Any changed or modifications to this product are not expressly approved by the party responsible for compliance could void the user's authority to operate the equipment.

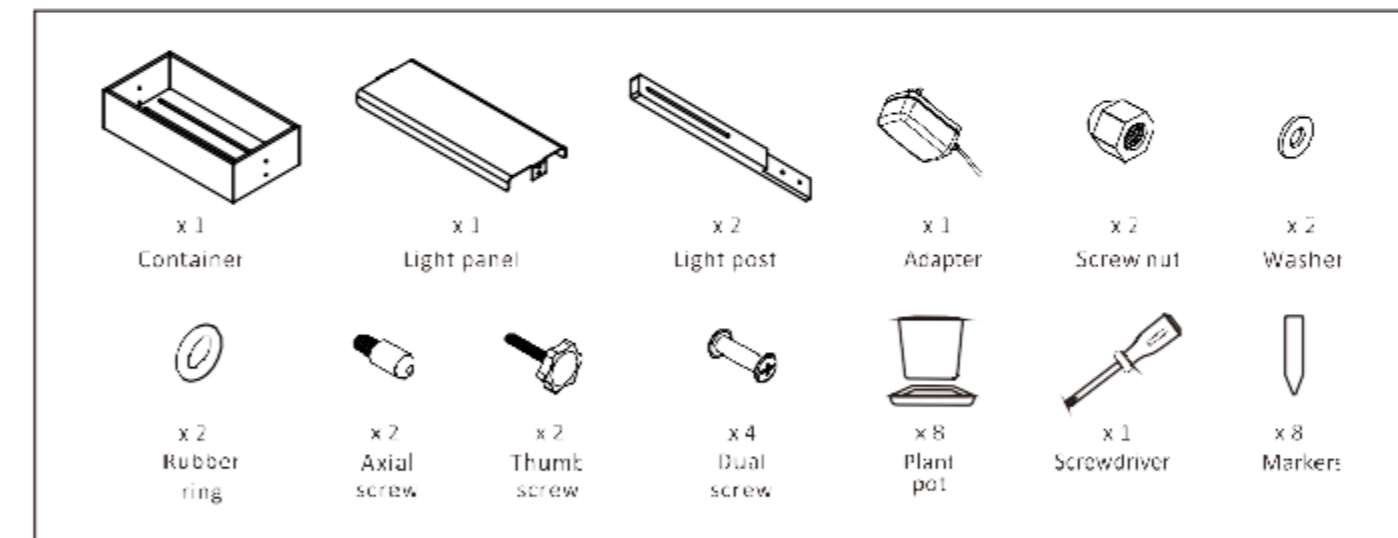
PARAMETER

Model No.	Power	Operating voltage	Input current	Spectrum
GLWSIGO8SP	14W	100-240V	257.2mA	3500K
CR	Life time	Device operation temperature	Built-in Timer	Installed size (Max.)
85	25000h	-10°C~40°C	16 hrs on & 8 hrs off	18.94 x 8.66 x 16.14 inch

DIMENSIONS



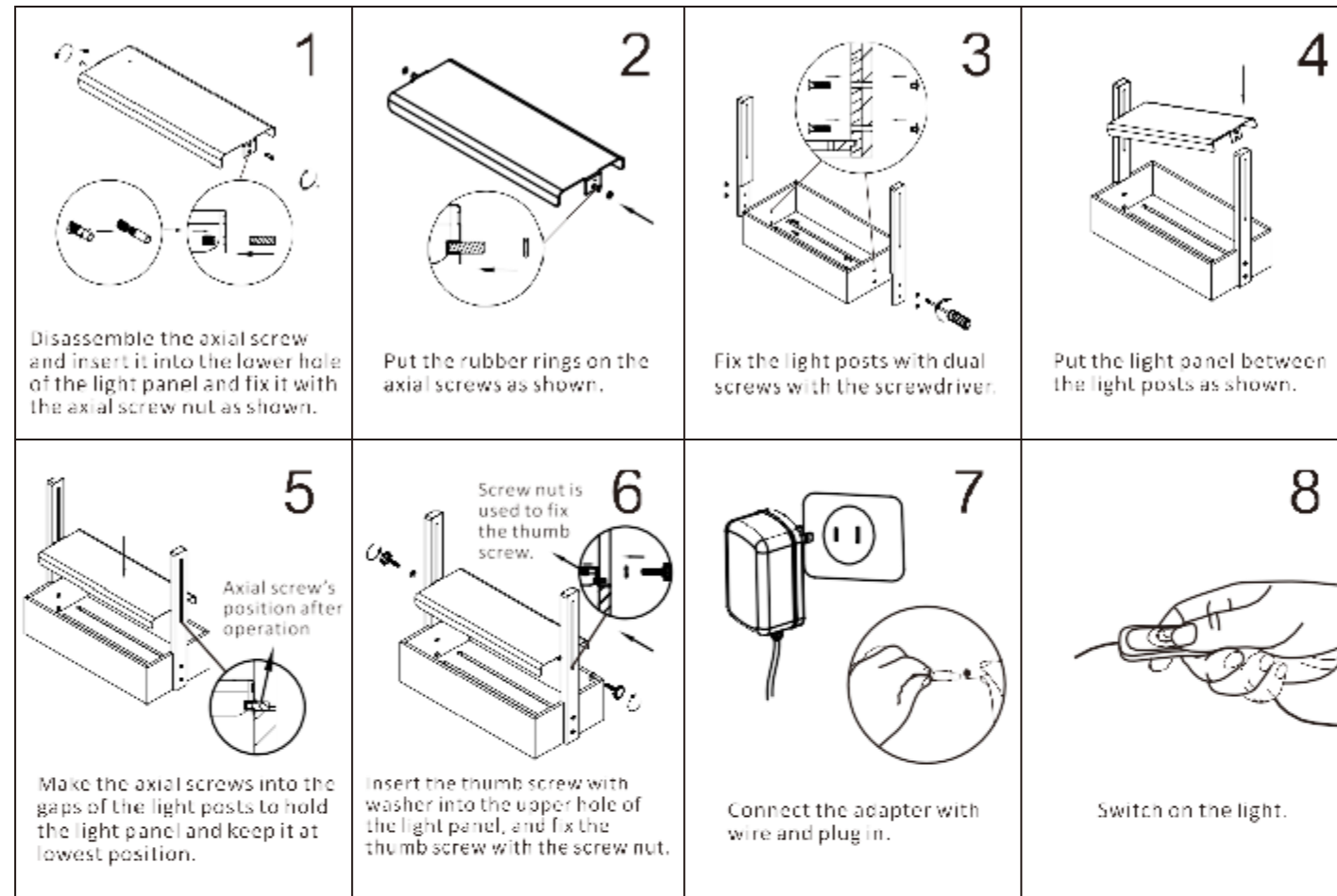
INCLUDED IN PACKAGE



FUNCTIONS



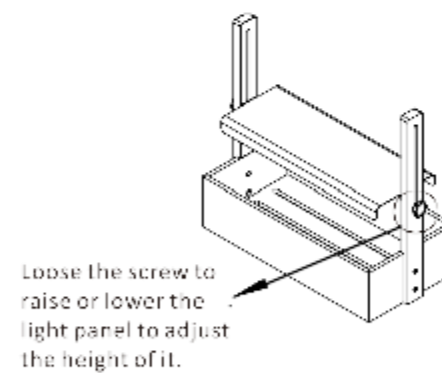
ASSEMBLY GUIDE



How to Raise and Lower the Light Panel

In order to raise or lower the light panel, you will need to loose the screw first, then raise or lower the light panel to adjust the height. Once you get the height you want, then tighten the screw to fix the light panel.

Note: When growing plants from seeds, the light pane should be set to the lowest position.



SUITABLE PLANTS

Herbs: Basil, Parsley, Thyme, Mint, Sage, Chive, Dill etc.
Vegetables: Lettuce, Poblano Pepper, Micro Tom Tomato etc.
Flowers: Petunia, Lavender, Dianthus, Coreopsis, Gazania, Phlox etc.

For more plants information, please visit www.i-growled.com to know or send an E-mail to info@i-growled.com, we will reach you within 24 hours.

Made in China

GARDENING TIPS

1. What's the ideal temperature?

The ideal temperature is 65-76°F/ 16-24°C.

2. How and when to adjust the lighting panel?

Make the lighting panel at the lowest place of the light post when you start to germinate the seeds. And when the seedlings start growing and get taller, then keep the lighting panel 1"-2" above the plants to make sure they get the right amount of light.

3. How to prune herbs like basil when they are tall?

Follow the main stem back to the previous leaf set and cut right above the 5th set of leaves. Cut the herb back about 1/4 inch above a node (the place where leaves come out). Leave a few inches of leaves (3 pairs recommended) on the plant after pruning. Never take more than 1/3 of the plant when pruning. Pinching or cutting back basil plants regularly encourages full, bushy plants. Trim a basil plant every two to three weeks and pinch off the flower buds as soon as you see them.

For more gardening tips, please visit www.i-growled.com or send an E-mail to info@i-growled.com, we will reach you within 24 hours.

Limited Warranty

GrowLED warrants this product for free from defects in material or workmanship with the exceptions below.

The warranty shall not apply to problems arising from: normal wear; failure to adhere to enclosed operating instructions; model numbered products if the model number has been removed or defaced; products subject to negligence, accident, improper use, maintenance or storage; products damaged by abnormal circumstances which is beyond GrowLED's control such as lightning and thunder; loss or damage to removable parts; or products modified (including, but not limited to, modifications through the use of unauthorized parts or attachments) or repaired by anyone other than GrowLED, or its designee. This warranty excludes all incidental or consequential damages.

This warranty runs for 1 year on this grow light, from the date of original purchase, for the original buyer or user.

For more warranty information or additional questions, please feel free to visit our official website: www.i-growled.com or contact us via E-mail: info@i-growled.com

Please don't hesitate to follow GrowLED Official on

