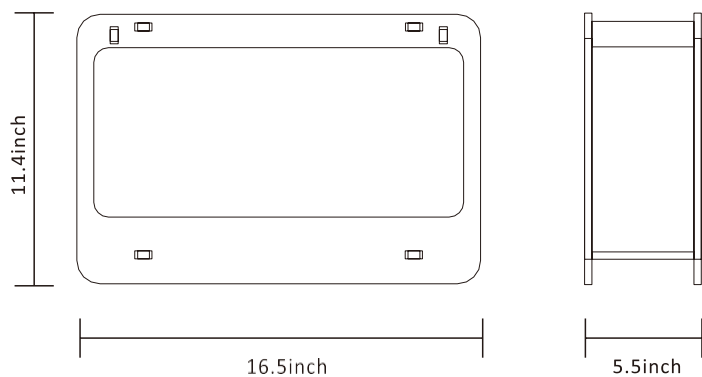


## Parameter

Model No.	Power	Operating voltage	Adapter output	Output lumen	PPF	CCT
TKLFMGGRO14s	14W	100-240V AC	DC 24V/0.65A	850lm	14 umol/s	4000K
CRI(Ra)	Life time	Operation temperature	IP Rate	Installed size		Net weight
95	25000h	-20°C~40°C	IP20+ Damp location	16.5"x5.5"x11.4"		1.26Kg
Installed area				PPFD(umol/s)		
0.06m <sup>2</sup> /0.33ft				285		
0.12m <sup>2</sup> /0.66ft				112		
0.18m <sup>2</sup> /0.99ft				58		



## Warranty

GrowLED warrants this product for free from defects in material and workmanship for 1 year since the date of purchase. This warranty will be invalid if the product has been misused, damaged by accident or in any other improper use.

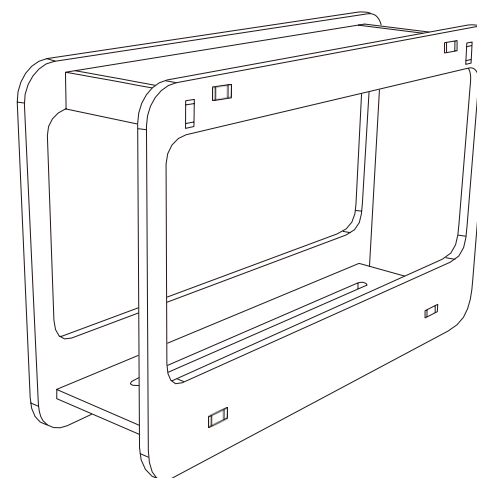
For any future information, please contact the distributor you purchase the product from.



GrowLED<sup>®</sup>

# LED MINI GARDEN PLANT GROW LIGHT

## User Manual



PLEASE READ THESE INSTRUCTIONS CAREFULLY BEFORE INSTALLATION  
AND KEEP THIS MANUAL FOR FUTURE REFERENCE.

TKLLFMGGRO14s

## Warning

1. Turn off power before putting or taking off parts.
2. This device must be installed and assembled by qualified personnel.
3. The device's safety is guaranteed only if these instructions are followed properly, therefore they should be kept for any future maintenance.
4. Place the device away from children under 3 years old.
5. The cables or electrical components should not be exposed to water or detergent.
6. Clean by using a damp cloth and a mild detergent in warm water.
7. Wipe the unit gently with a soft, clean cloth or cotton.
8. Do not use outdoors.
9. Keep Mini Garden away from any direct sources of heat(e.g., stove, furnace vents).
10. Do not place or submerge cord, plug, LED light hood in water or other liquid to clean it.

## Function Descriptions

When potted plants had been placed indoor for a long time, or got through raining weather, lack of sunlight, the plants would suffer insufficient growth. Mini Garden can provide the right amount of illumination compensation to help the plants grow healthily. The LED lights are tuned to the specific spectrum that allows plants to have natural photosynthesis, which result in rapid, natural growth and abundant harvests. Meanwhile, the LED lights have very high CRI ( color rendering index ) and neutral white (4000K) light to ensure the best for human visualization.

When turn on the Mini Garden, it can automatically light-on 16 hours for plants then light-off 8 hours, that is in conformity with the plant biology and will save energy.

When the lights off, can turn off the switch manually, and turn on again after 10 seconds, then the lights will be reset on.

## Features and Benefits

1. Best for growing flowers, leafy plants, fresh herbs and vegetables
2. Professional and efficient LED plant growth light
3. Simple and practical function of illumination compensation
4. Nordic design simple fashion
5. DC24V safe low working voltage
6. Safe and easy way of assembly
7. Energy saving and environmental friendly

## Recommend potted plants

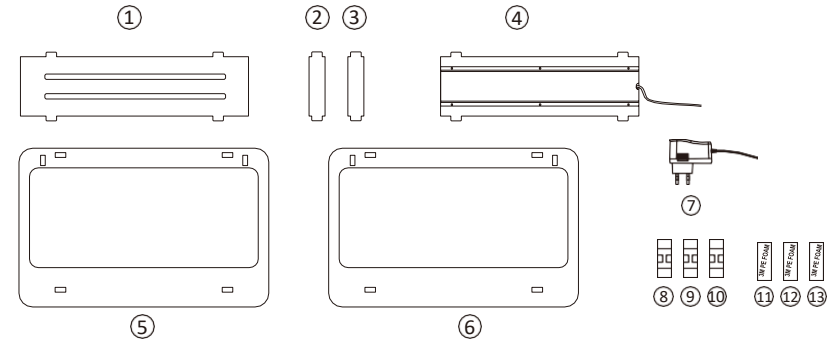
1. Herbs: Basil, Parsley, Thyme, Mint, Dill etc.
2. Vegetables: Lettuce, Jalapeno, Tomato, Cuke etc.
3. Flowers: Dianthus, Coreopsis, Gazania, Phlox etc.
4. Succulents: Cotyledon, Sedum, Echeveria etc.

## Notice

The product only provide the necessary plant lighting, to maintain the health of plants, also need reasonable moisture, nutrients, temperature, timely maintenance and other essential factors .

Please keep the plant leaves to light hood in more than 5 cm.If the plants grow too close to the light hood, please pay attention to timely pruning.

## Included in Package



## Assembly Guide

No tools are required for assembly

