



## Recommended potted plants

1. Herbs: Basil, Parsley, Thyme, Mint, Dill etc.
2. Flowers: Dianthus, Coreopsis, Gazania, Phlox etc.
3. Succulents: Cotyledon, Sedum, Echeveria etc.

## Gardening tips

1. Ideal temperature: 65-76°F/ 16-24°C.
2. Keep the lighting panel 1"-2" above the plants to make sure they get the right amount of light.
3. The indoor garden has a built-in automatic timer. The cycle of the timer is 16 hours on and 8 hours off, this setup is fixed and can not be changed unless you turn off the light manually. If you want to reset the timer when you want the light to turn on, please unplug the device for 10s to restart the timer.

For more gardening tips, please visit [www.i-growled.com](http://www.i-growled.com) or send an E-mail to [info@i-growled.com](mailto:info@i-growled.com), we will reach you within 24 hours.

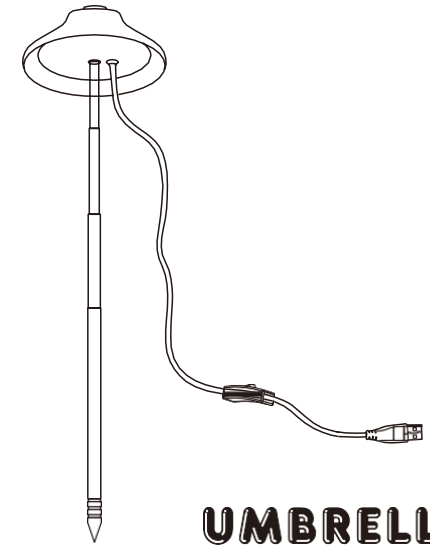
## Warranty

GrowLED warrants this product for free from defects in material and workmanship for 1 year since the date of purchase. This warranty will be invalid if the product has been misused, damaged by accident or in any other improper use.

For more warranty information or additional questions, please feel free to visit our official website: [www.i-growled.com](http://www.i-growled.com) or contact us via E-mail: [info@i-growled.com](mailto:info@i-growled.com)



Made in China

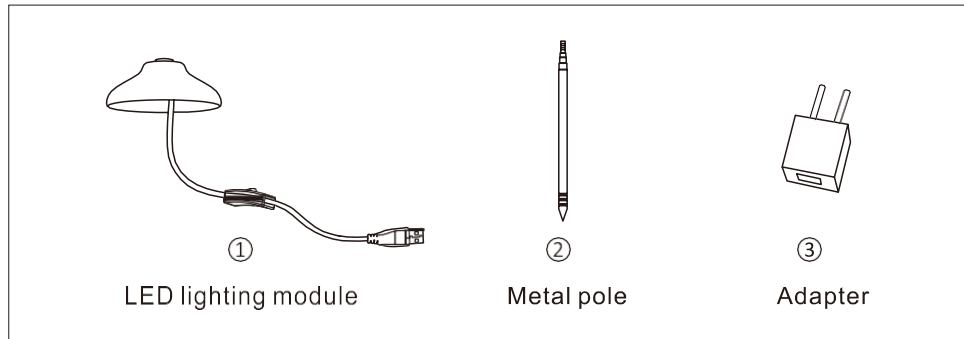


### IMPORTANT SAFETY INSTRUCTIONS

#### Read all instructions before using this GrowLED indoor garden.

1. **WARNING- to reduce risk of burns, fire, electric shock, or injury to people.** Unplug from outlet before assembling, taking off or cleaning parts.
2. Please take proper precautions when operating the GrowLED indoor garden near or by people requiring close supervision, children included.
3. This device's safety is guaranteed only if these instructions are followed properly, therefore they should be kept for any future maintenance.
4. Never operate GrowLED indoor garden if it has a damaged cord or plug. If the cord or plug has been dropped, damaged or in water before, it may not working. If this happens, please contact customer service for assistance.
5. The cord or electrical components should not be exposed to any liquid or detergent.
6. Clean the indoor garden by using a damp, soft and clean cloth.
7. Do not use outdoors.
8. Do not allow water to touch hot LED lighting module.
9. Keep indoor garden away from any direct sources of heat (stove, furnace vents etc.).
10. Do not place or submerge cord, plug, LED lighting panel in water or other liquid to clean it.
11. Electrical wiring must be in accordance with local regulations by qualified technicians.
12. **This product is for household and residential use only.** It is not approved for commercial applications.
13. If the cord you received is damaged, it must be replaced by manufacturer in order to avoid hazard.
14. Do not use GrowLED indoor garden for other intended use.
15. Any changed or modifications to this product are not expressly approved by the party responsible for compliance could void the user's authority to operate the equipment.

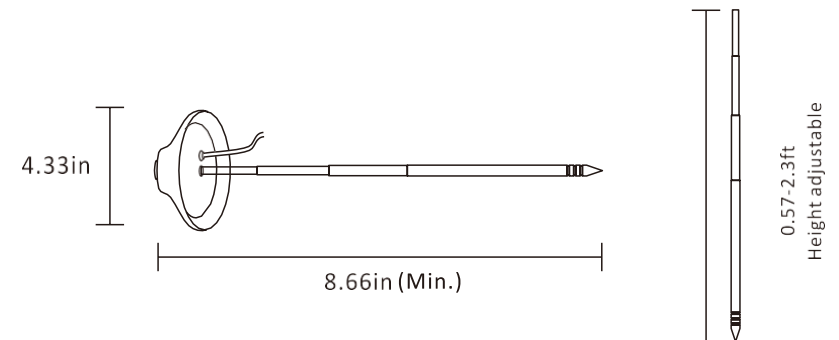
## Included in Package



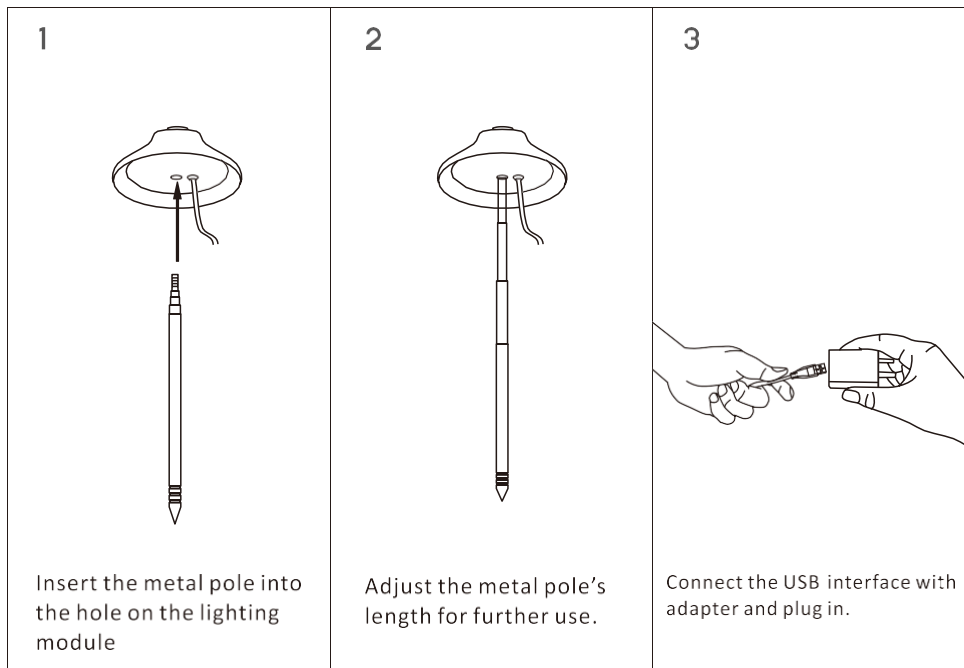
## Parameter

Product Series	Power	Operating voltage	Beam angle	PPFD (3.94in)
Umbrella	5W	100-240V AC	120°	101.65 $\mu\text{mol}/(\text{m}^2 \cdot \text{s})$
Net weight	Life time	Operation temperature	IP Rate	Installed size
0.25kg	25000h	-20C~40C	IP20	4.33x4.33x8.66in

## Dimension



## Assembly Guide



## Functions



LED LIGHTING SYSTEM



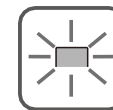
EASIER TO USE



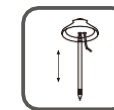
EASIER TO HARVEST



ALL YEAR AROUND



FULL SPECTRUM



HEIGHT ADJUSTABLE



AUTOMATIC TIMER



CUTE DESIGN