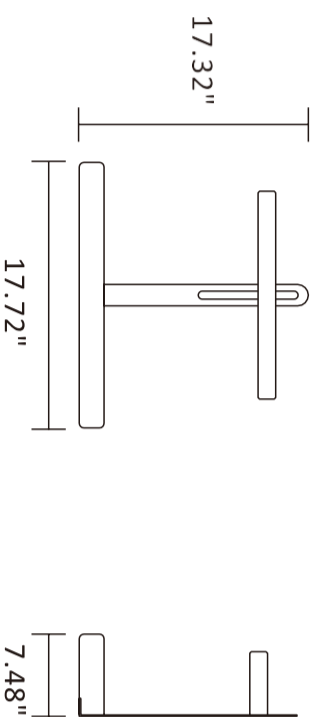
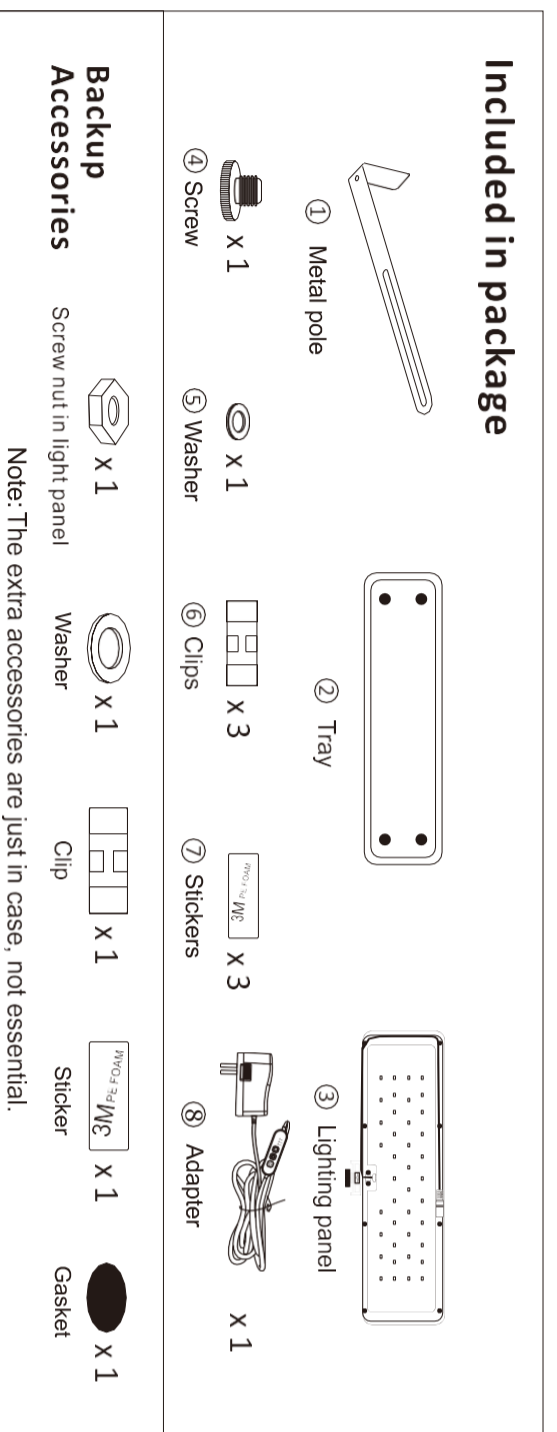


Parameter					
Model No.	Power	Operating voltage	Input current	Spectrum	
GLMIGISGRO20W	20W	100-240V	0.6A	3500K	
CRI(Ra)	Life time	Operation temperature	IP Rate	Installed size	Net weight
88	25000h	-20°C~40°C	IP20	17.72"X7.48"X17.32"	1.25Kg

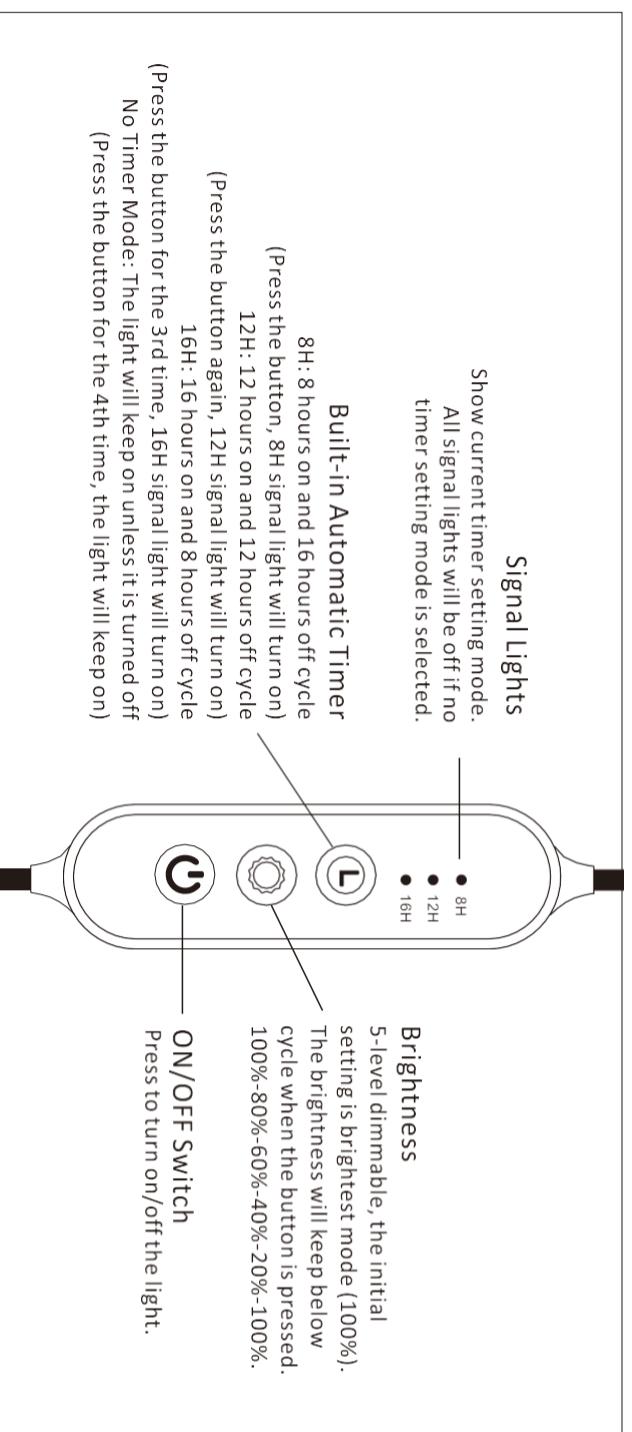
### Dimensions



### Included in package

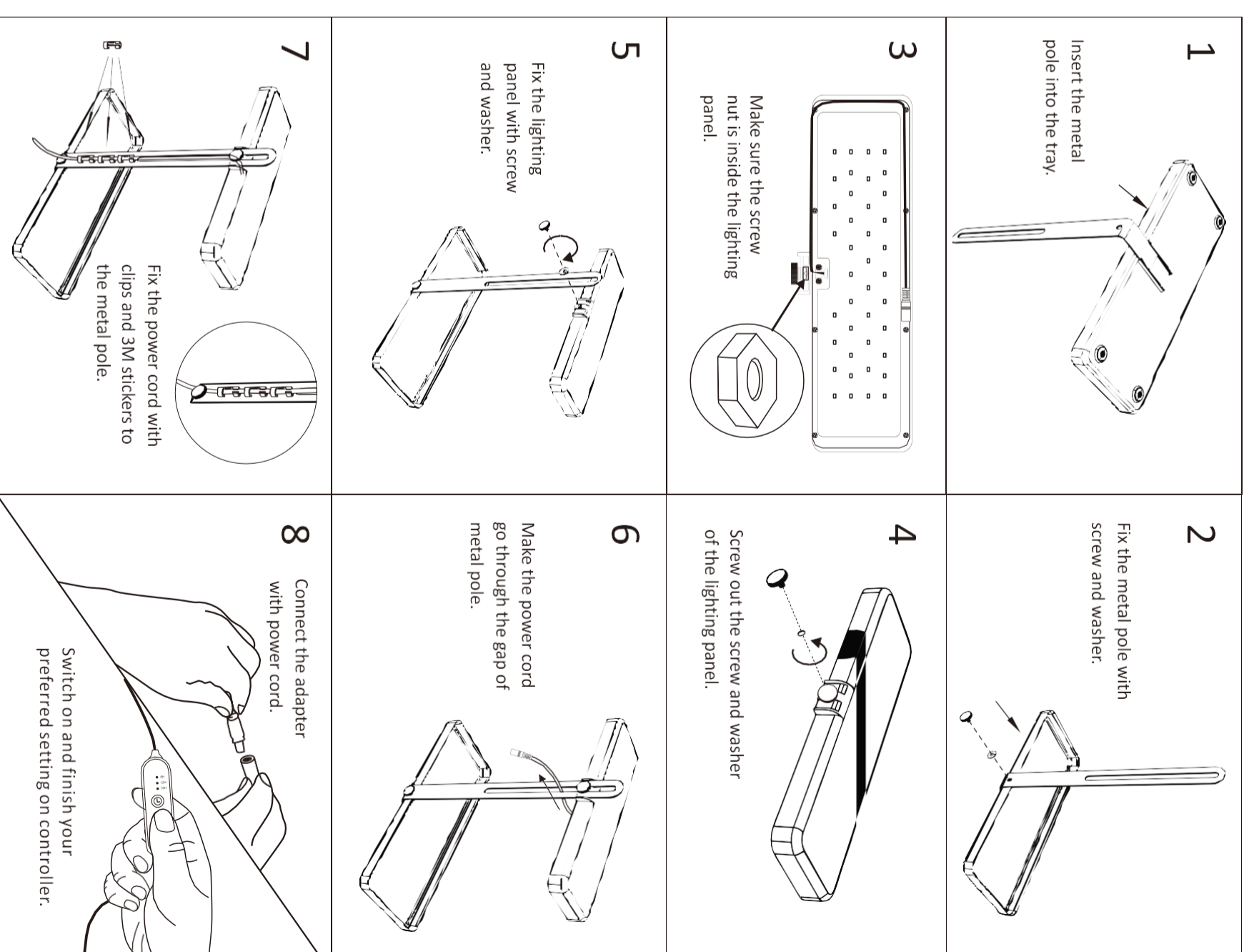


### Controller



**Note:** 1. The initial setting of this light is 100% brightness and no timer setting mode is selected. The light will keep on for 24 hours if you don't choose any timer mode after you turn on the light.  
2. If you turn off the light and then turn on the light again, the brightness and timer setting mode will remain the same. However, the timer's cycle will start over again

### Assembly



## Functions



## Suitable Plants

Herbs: Basil, Parsley, Thyme, Mint, Sage, Chive, Dill etc.  
Vegetables: Lettuce, Poblano Pepper, Micro Tom Tomato etc.  
Flowers: Petunia, Lavender, Dianthus, Coreopsis, Gazania, Phlox etc.

For more plants information, please visit [www.i-growled.com](http://www.i-growled.com) to know or send an E-mail to [info@i-growled.com](mailto:info@i-growled.com), we will reach you within 24 hours.

## Gardening Tips

1. Ideal Temperature: 65-76°F/ 16-24°C.
2. Keep the lighting panel 1"-2" above the plants to make sure they get the right amount of light.
3. 16 hours on and 8 hours off with strongest brightness is the best setting for plants to grow better and faster as only when plants get enough DLI (Daily Light Integral), will they grow faster and stronger.
4. The indoor garden only offers the necessary light for the growth of plant. Reasonable moisture, nutrients, temperature and timely maintenance and other essential factors are also necessary to maintain the health of plants.

or more gardening tips, please visit [www.i-growled.com](http://www.i-growled.com) or send an E-mail to [info@i-growled.com](mailto:info@i-growled.com), we will reach you within 24 hours.

## Warranty

GrowLED warrants this product for free from defects in material and workmanship for 1 year since the date of purchase. This warranty will be invalid if the product has been misused, damaged by accident or in any other improper use.

For more warranty information or additional questions, please feel free to visit our official website: [www.i-growled.com](http://www.i-growled.com) or contact us via E-mail: [info@i-growled.com](mailto:info@i-growled.com)

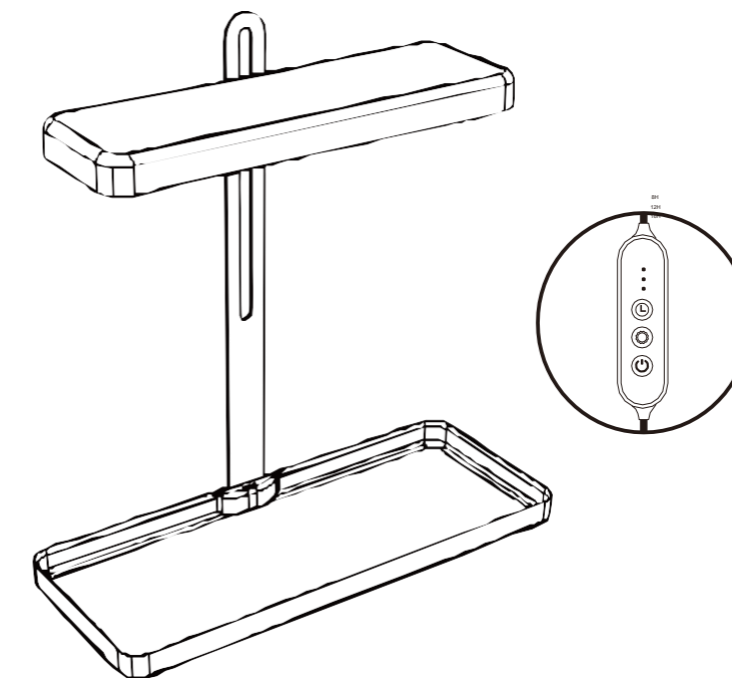


[www.i-growled.com](http://www.i-growled.com)



GrowLED®

## Quick Setup Guide (No tools required)



Model No.: GLMGISGRO20W

## IMPORTANT SAFETY INSTRUCTIONS

### Read all instructions before using this GrowLED indoor garden.

1. **WARNING- to reduce risk of burns, fire, electric shock, or injury to people.** Unplug from outlet before assembling, taking off or cleaning parts.
2. Please take proper precautions when operating the GrowLED indoor garden. near or by people requiring close supervision, children included.
3. This device's safety is guaranteed only if these instructions are followed properly, therefore they should be kept for any future maintenance.
4. Never operate GrowLED indoor garden if it has a damaged cord or plug. If the cord or plug has been dropped, damaged or in water before, it may not working. If this happens, please contact customer service for assistance.
5. The cord or electrical components should not be exposed to any liquid or detergent.
6. Clean the indoor garden by using a damp, soft and clean cloth.
7. Do not use outdoors.
8. Do not allow water to touch hot LED lighting panel.
9. Keep indoor garden away from any direct sources of heat (stove, furnace vents etc.).
10. Do not place or submerge cord, plug, LED lighting panel in water or other liquid to clean it.
11. Electrical wiring must be in accordance with local regulations by qualified technicians.
12. **This product is for household and residential use only.** It is not approved for commercial applications.
13. If the cord you received is damaged, it must be replaced by manufacturer in order to avoid hazard.
14. Do not use GrowLED indoor garden for other intended use.
15. Any changed or modifications to this product are not expressly approved by the party responsible for compliance could void the user's authority to operate the equipment.