

## Functions



LED GROW LIGHTING SYSTEM



GROW LIKE A GREEN THUMB



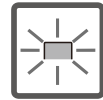
EASIER TO HARVEST



ALL YEAR AROUND



8/12/16 HOURS AUTOMATIC TIMER



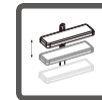
FULL SPECTRUM



SMART SOILS (SEEDS EXCLUDED)



WATER LEVEL INDICATOR



HEIGHT ADJUSTABLE



BRIGHTNESS ADJUSTABLE

## Suitable Plants

Herbs: Basil, Parsley, Thyme, Mint, Sage, Chive, Dill.

Vegetables: Lettuce, Poblano Pepper, Micro Tom Tomato.

Flowers: Petunia, Lavender, Dianthus, Coreopsis, Gazania, Phlox.

For the plants we haven't listed above, it means we haven't finished the testings, so you can take it as an experiment. Your seeds will most likely thrive in our smart soil. However, we can not guarantee desired results.

The list of suitable plants will be updated constantly at our official website [www.i-growled.com](http://www.i-growled.com), please kindly check it when needed.

## Gardening Tips

1. Ideal Temperature: 65-76°F / 16-24°C.
2. Keep the lighting panel 1"-2" above the plants to make sure they get the right amount of light.
3. Remove the transparent domes when the seedlings touch the domes.
4. Put 3-5 seeds each pod if you grow your own seeds, check the seed packet for information regarding temperature, days to germination and the germination rate.
5. Please keep the water level at Min. mark when grow from seeds for the first 10-12 days as seeds don't require much water at the beginning. More water will be required when leaves are getting more and bigger. Do not add too much water into the tank which will lower than the Max. water level mark on the indicator or higher than the Min. water level mark (blue area will be safe area when plants have 3-4 leaves), or both will hurt the plants' growth.
6. The smart soils themselves are already integrated with nutrients, the nutrients inside will last at least 3 months, so before no more extra plant food required.
7. The spacer lids are used to cover the holes you don't want to grow anything or expand the distance between pods. These covers are also for inhibiting algae growth.
8. 16 hours on and 8 hours off with strongest brightness is the best setting for plants to grow better and faster as only when plants get enough DLI (Daily Light Integral), will they grow better.
9. The shade covers are used to cover the smart soils' surface when you start to grow with the smart soils, this will efficiently help prevent mold's growth.

For more gardening tips, please visit [www.i-growled.com](http://www.i-growled.com) or send an E-mail to [info@i-growled.com](mailto:info@i-growled.com), we will reach you within 24 hours.

## Warranty

GrowLED warrants this product for free from defects in material and workmanship for 2 years since the date of purchase. This warranty will be invalid if the product has been misused, damaged by accident or in any other improper use.

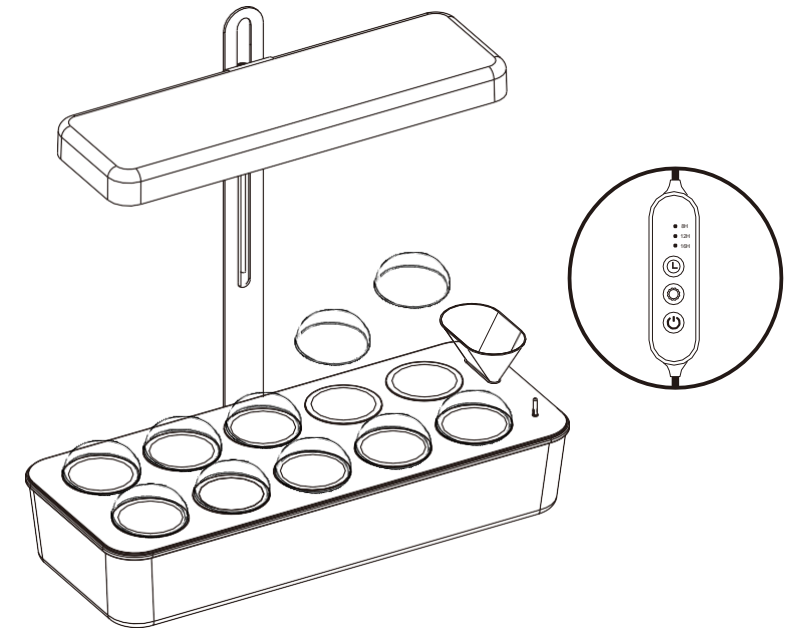
For more warranty information or additional questions, please feel free to visit our official website: [www.i-growled.com](http://www.i-growled.com) or contact us via E-mail: [info@i-growled.com](mailto:info@i-growled.com)



GrowLED®

## Quick Setup Guide

(No tools required)



Model No.: GLMGIST20W

## IMPORTANT SAFETY INSTRUCTIONS

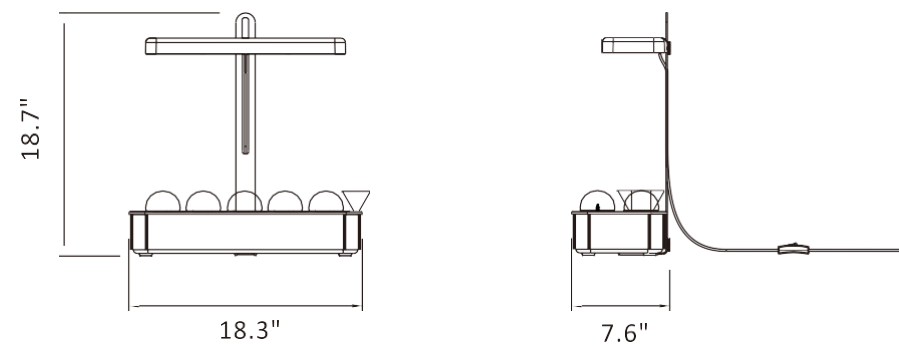
### Read all instructions before using this GrowLED indoor garden.

1. **WARNING- to reduce risk of burns, fire, electric shock, or injury to people.** Unplug from outlet before assembling, taking off or cleaning parts.
2. Please take proper precautions when operating the GrowLED indoor garden near or by people requiring close supervision, children included.
3. This device's safety is guaranteed only if these instructions are followed properly, therefore they should be kept for any future maintenance.
4. Never operate GrowLED indoor garden if it has a damaged cord or plug. If the cord or plug has been dropped, damaged or in water before, it may not working. If this happens, please contact customer service for assistance.
5. The cord or electrical components should not be exposed to any liquid or detergent.
6. Clean the indoor garden by using a damp, soft and clean cloth.
7. Do not use outdoors.
8. Do not allow water to touch hot LED lighting module.
9. Keep indoor garden away from any direct sources of heat (stove, furnace vents etc.).
10. Do not place or submerge cord, plug, LED lighting panel in water or other liquid to clean it.
11. Electrical wiring must be in accordance with local regulations by qualified technicians.
12. **This product is for household and residential use only.** It is not approved for commercial applications.
13. If the cord you received is damaged, it must be replaced by manufacturer in order to avoid hazard.
14. Do not use GrowLED indoor garden for other intended use.
15. Any changed or modifications to this product are not expressly approved by the party responsible for compliance could void the user's authority to operate the equipment.

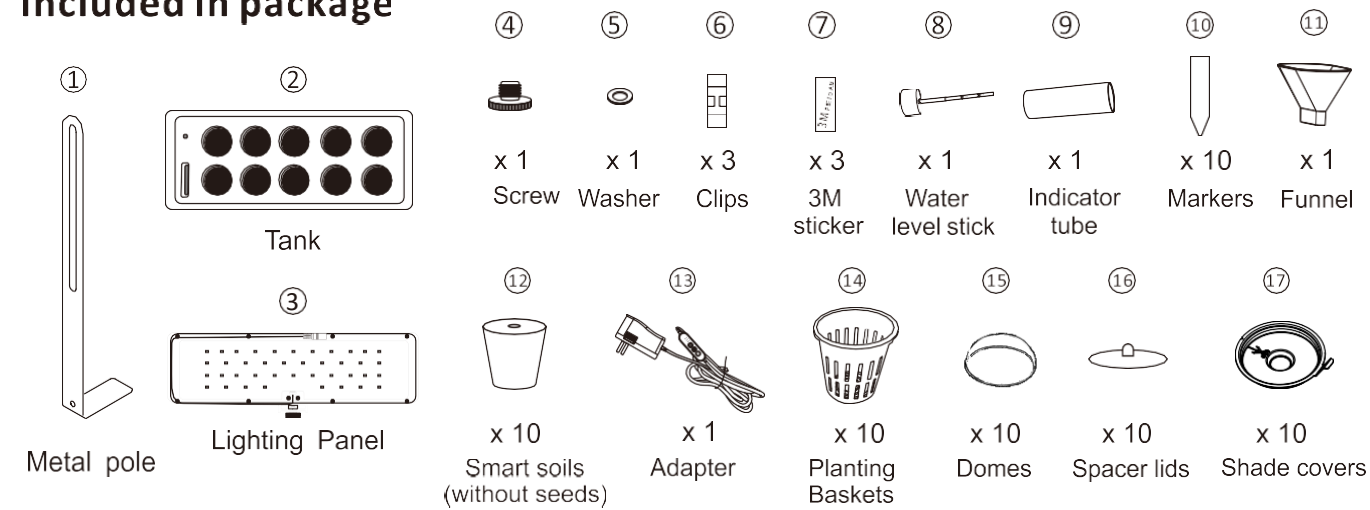
## Parameter

Model No.	Power	Operating voltage	Input current	Spectrum	
GLMGIST20W	20W	100-240V	0.6A	3500K	
CRI(Ra)	Life time	Operation temperature	IP Rate	Installed size	Net weight
88	25000h	-20°C~40°C	IP20	18.3x7.6x18.7 inch	2.6Kg

## Dimensions

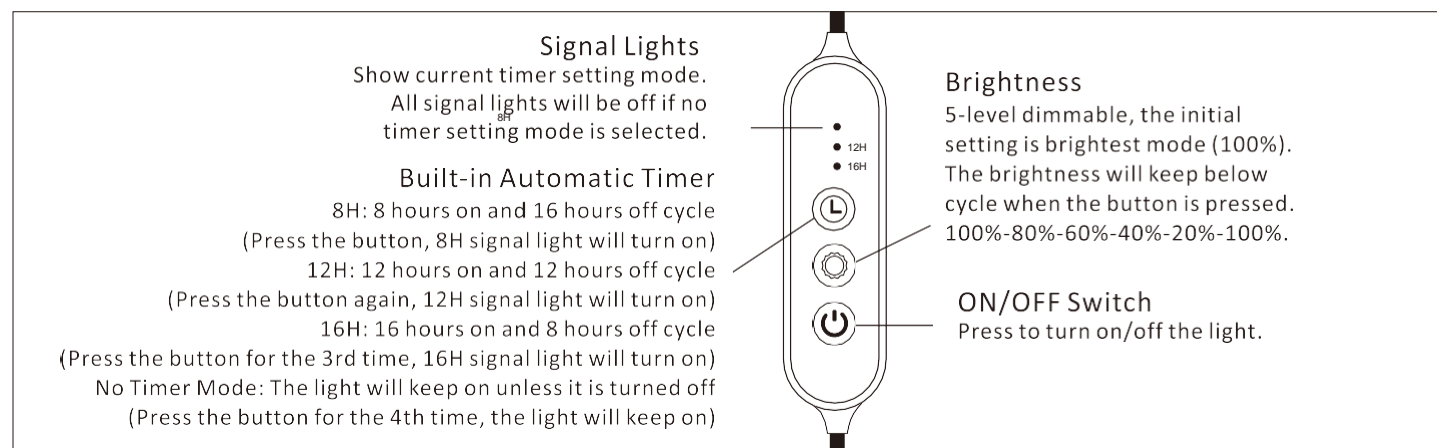


## Included in package



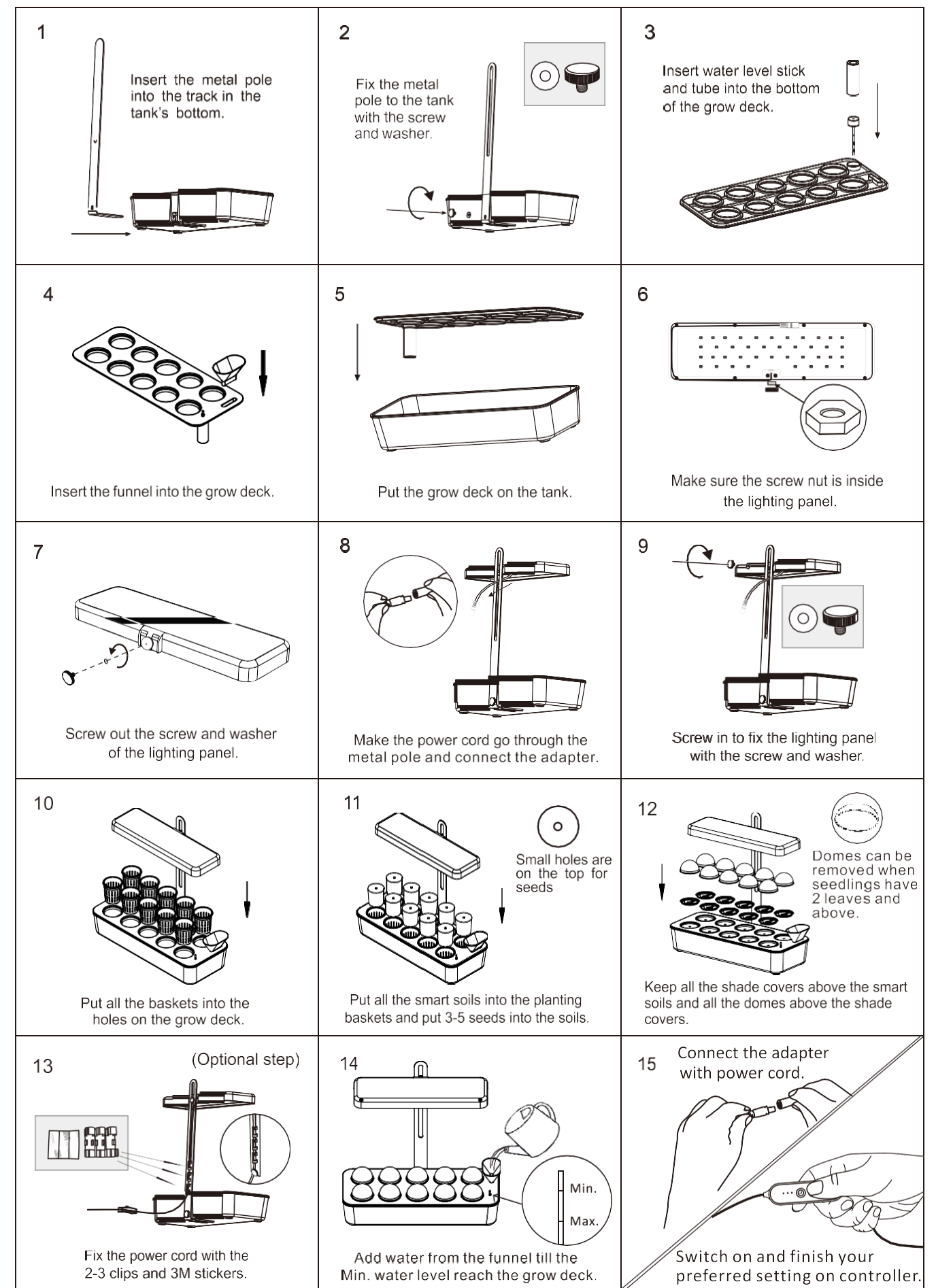
**Note:** The **space lids** are used to cover the holes on the grow deck where you don't want to grow anything sometimes and these lids can also efficiently prevent algae growth.  
The **shade covers** are used to cover the smart soils' surface when you start to grow with the smart soils, this will efficiently help prevent mold's growth.

## Controller



**Note :** 1. The initial setting of this light is 100% brightness and no timer setting mode is selected. The light will keep on for 24 hours if you don't choose any timer mode after you turn on the light.  
2. If you turn off the light and then turn on the light again, the brightness and timer setting mode will remain the same. However, the timer's cycle will start over again.

## Assembly



More assembly videos and gardening tips videos will be constantly updated on our official website and our Youtube Channel "GrowLED Official".

