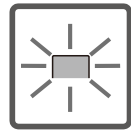


Functions



LED GROW
LIGHTING
SYSTEM



OPTIMIZED
FULL SYSTEM



AUTOMATIC
TIMER



EASY TO
ASSEMBLE

Suitable Plants

1. Succulents (The spectrum of this light is optimized for succulents)
2. Herbs: Basil, Parsley, Thyme, Mint, Sage, Chive, Dill etc.
3. Vegetables: Lettuce, Poblano Pepper, Micro Tom Tomato etc.
4. Flowers: Petunia, Lavender, Dianthus, Coreopsis, Gazania, Phlox etc.

For more plants information, please visit www.i-growled.com to know or send an E-mail to info@i-growled.com, we will reach you within 24 hours.

Gardening Tips

1. Ideal Temperature: 65-76°F / 16-24°C.
2. The light's angle can be adjusted to the direction you want it to.
3. The indoor garden has a built-in automatic timer. The cycle of the timer is 16 hours on and 8 hours off, this setup is fixed and can not be changed unless you turn off the light manually. If you want to reset the timer when you want the light to turn on, please unplug the device for 10s to restart the timer.

For more gardening tips, please visit www.i-growled.com or send an E-mail to info@i-growled.com, we will reach you within 24 hours.

Warranty

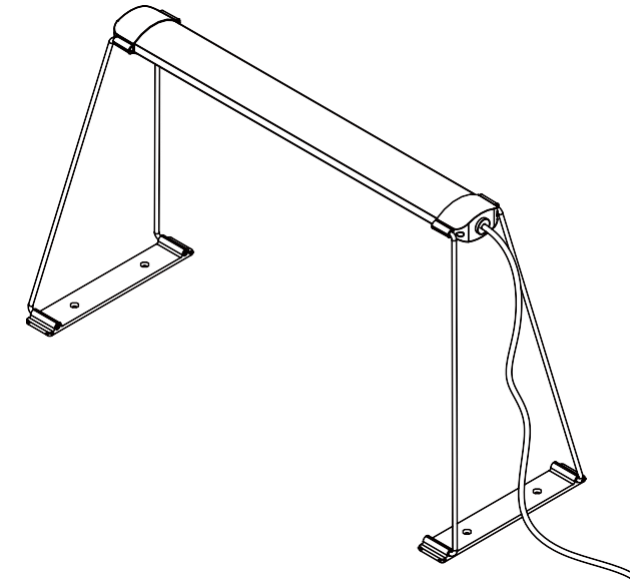
GrowLED warrants this product for free from defects in material and workmanship for 1 year since the date of purchase. This warranty will be invalid if the product has been misused, damaged by accident or in any other improper use.

For more warranty information or additional questions, please feel free to visit our official website: www.i-growled.com or contact us via E-mail: info@i-growled.com



GrowLED®

User Manual



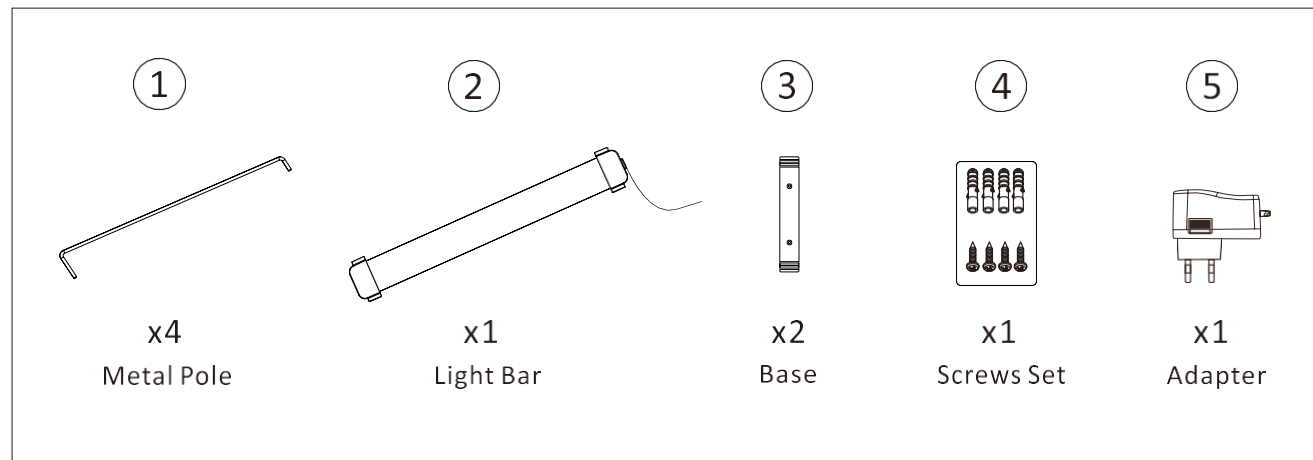
Model No.: GLIGSB

IMPORTANT SAFETY INSTRUCTIONS

Read all instructions before using this GrowLED indoor garden.

1. **WARNING- to reduce risk of burns, fire, electric shock, or injury to people.** Unplug from outlet before assembling, taking off or cleaning parts.
2. Please take proper precautions when operating the GrowLED indoor garden. near or by people requiring close supervision, children included.
3. This device's safety is guaranteed only if these instructions are followed properly, therefore they should be kept for any future maintenance.
4. Never operate GrowLED indoor garden if it has a damaged cord or plug. If the cord or plug has been dropped, damaged or in water before, it may not working. If this happens, please contact customer service for assistance.
5. The cord or electrical components should not be exposed to any liquid or detergent.
6. Clean the indoor garden by using a damp, soft and clean cloth.
7. Do not use outdoors.
8. Do not allow water to touch hot LED lighting panel.
9. Keep indoor garden away from any direct sources of heat (stove, furnace vents etc.).
10. Do not place or submerge cord, plug, LED lighting panel in water or other liquid to clean it.
11. Electrical wiring must be in accordance with local regulations by qualified technicians.
12. **This product is for household and residential use only.** It is not approved for commercial applications.
13. If the cord you received is damaged, it must be replaced by manufacturer in order to avoid hazard.
14. Do not use GrowLED indoor garden for other intended use.
15. Any changed or modifications to this product are not expressly approved by the party responsible for compliance could void the user's authority to operate the equipment.

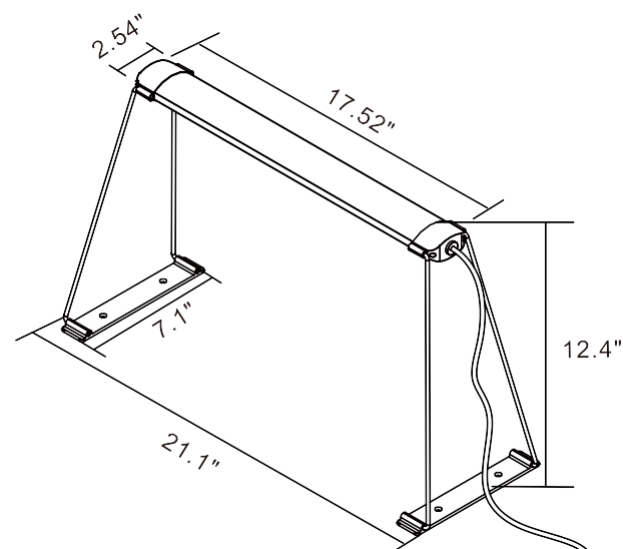
Included in Package



Parameter

Model No.	Power	Operating voltage	Beam angle	PPFD ^(1")	CCT
GLIGSB	14W	100-240V	120°	391 μ mol/(m ² ·s)	4400K
Life time	Operation temperature	Ra	Indoor use	Installed size	
25000h	-4~104°F	96	YES	21.1"X7.1"X12.4"	

Dimensions



Scan for more info

Assembly Guide

①

Insert 4 metal poles into the 4 holes on the light bar.

②

Insert 4 metal poles into the 4 holes on these 2 bases.

③

Make sure the light fixture is assembled as shown.

④

Connect the adapter with power cord.

Switch on the light.

Note 1:

If you want to fix the light bar's angle, then you can assemble the metal poles as shown.

Note 2:

Wall

The screws and expansion tubes should be used to fix the bases if the light needs to be mounted on the wall.