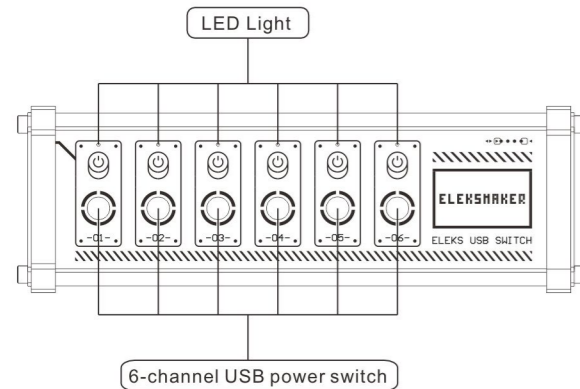
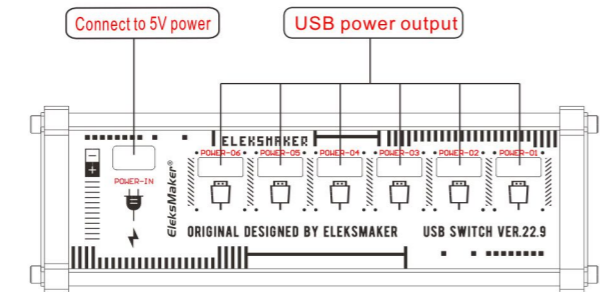


NK 1/2/3 Panel (front)



Note: The metal toggle switch is turned on by pushing up, and the LED status light is orange.

NK 1/2/3 Panel (back)



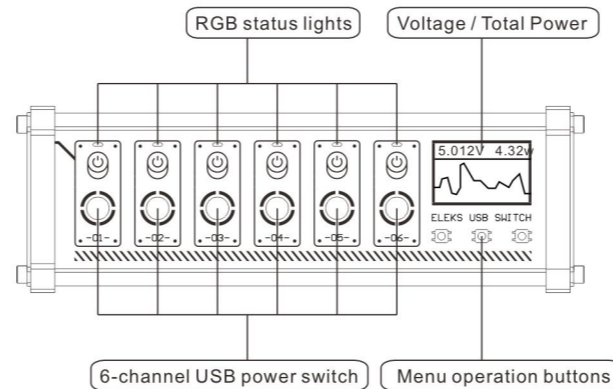
Note: The POWER-IN interface supplies power to the 6 USB power output interfaces on the back.

The current is automatically distributed.

A power source of 5V3A or above is recommended.

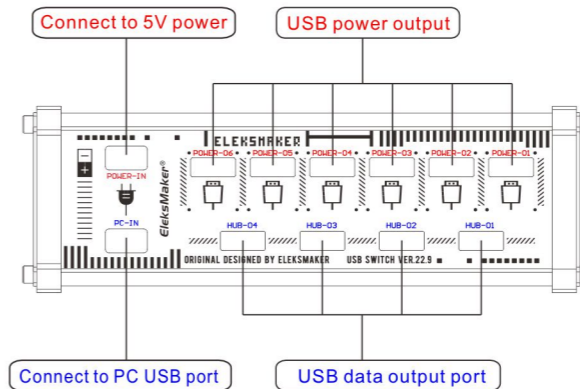
Nk1 has no data function! NK1 has no voice function! NK1 has no screen function!

NK 4/5 Panel (front)



Note: Color value range 0-255, 0 is off; Brightness range 10-100; Left and right keys to adjust, middle key to confirm.

NK 4/5 Panel (back)



The POWER-IN port ---- supplies power to the 6 USB power output ports on the back with automatic current distribution. Recommend 5V3A or above power supply. PC-IN port ---- connects to a PC and transmits signals + power to the 4 USB data output ports.

Voice Control Commands

Wake-up Commands: Hello Console/Hello Jarvis/Jarvis Wake up

Quick Control Commands: Start Console/Close Console

Active Exit Commands: Exit/Quit/Close

Commands: Number 1-6/Open Number 1-6/Start Number 1-6

Reply: Number 1-6 console is on line

Commands: Close 1-6/Close number 1-6

Reply: Number one console is off line

Commands: Open All

Reply: For you, Sir, always. The console is turned on

Commands: Close All

Reply: All console is off line, sir

Commands: Volume up/down

Reply: Sir, the volume has been increased/turned down

Commands: Maximum volume/Minimum volume

Reply: Sir, the volume is set to maximum/has been turned down to minimum

Note: The voice function is only supported by N K3 and N K5!

The button switch and the voice function cannot be used at the same time! If you need to use the voice, the switches are toggled to the bottom!