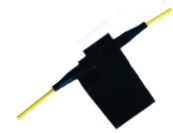


# 0503 PM VOA

## VOA-C-PM



### C-band PM Type Motor Driven VOA

This VOA offers low cost, compact PC board mountable motor driven variable attenuators with low back reflection. These attenuators offer excellent speed, repeatability and accuracy. Polarization maintaining (PM) attenuators utilize a novel blocking style attenuation technique, featuring a homing sensor to calibrate the attenuator, removing the need to use external taps and a jam-proof tuning mechanism.

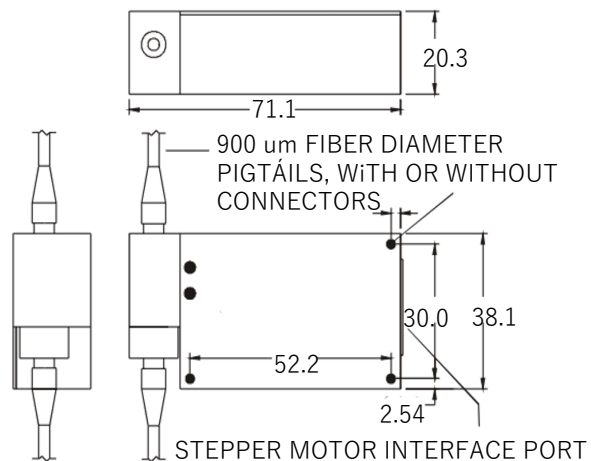
#### FEATURES

- Stepper Motor Driven
- High Power Handling
- High Speed
- Wide Attenuation Range
- Polarization Maintaining

#### USE IN

- Bit Error Testing
- Active Gain Equalization in DWDM Systems
- Local Power Monitoring and Feedback Attenuator Settings

#### MECHANICAL DRAWING



Available Wavelengths	C-band (1530 nm to 1570 nm)
Attenuation Range	I.L. to 40 dB
Attenuation Resolution	0.1 dB
Insertion Loss	1 dB typ.; 2 dB max.
Polarization Dependent Loss	0.05 dB typ.
Polarization Mode Dispersion	0.01 ps max.
Return loss	-60 dB max.
Speed	100 ms max.
Power Handling	2 W max.
Polarization Extinction Ratio (for PM Fiber)	30 dB max.

**Order notes to our customers:** The default parameters are as follows. For special needs, please contact sales.

**1) Connector FC/APC, 900 um, 1 m by default for all devices except for high power devices.**

**2) Slow axis working, fast axis blocked, connector key is aligned to slow axis by default for PM devices.**