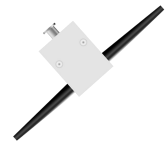


## 0401 780 nm Devices

VI200-S



### 780 nm SM Variable Optical Attenuator

The optic attenuator is a component has high precise attenuation value, which features perfect environmental stability and reliability. It has low insertion loss and additional loss. This product can be used in fiber optic communication, DWDM equipment, LAN and etc.

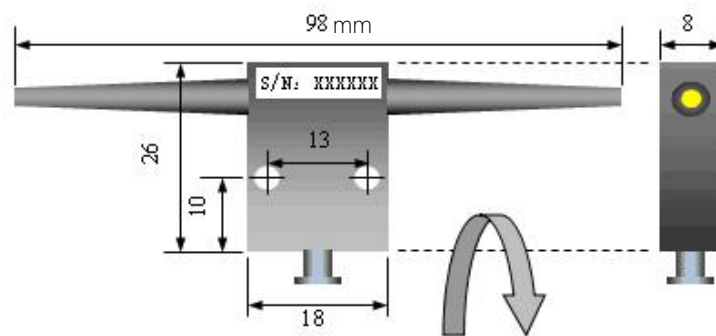
#### FEATURES

- High Precise Attenuation Value
- Perfect Environmental Stability and Reliability
- Low Insertion Loss and Additional Loss
- Flawless end Face
- Wide Attenuation Range (Variable)
- Precision Ceramic Ferrule
- Compact in Size
- Simple and Reliable Structure

#### USE IN

- Fiber Optic Communication
- DWDM Equipment
- Local Area Networks (LAN)

#### MECHANICAL DRAWING



Center Wavelength	780 nm
Operating Wavelength Range	±40 nm
Attenuation	0.8 dB to 60 dB
min. Insertion Loss	0.9 dB max.
Return Loss	50 dB min.
PDF	0.1 dB max.
Fiber Type	HI 780 Fiber
Package Dimensions	26x18x8 mm
Power	500 mW max.
Tensile Load	5 N max.
Operating Temperature	-5°C to +70°C
Storage Temperature	-40°C to +85°C

**Order notes to our customers:** The default parameters are as follows. For special needs, please contact sales.

**1) Connector FC/APC, 900 um, 1 m by default for all devices except for high power devices.**

**2) Slow axis working, fast axis blocked, connector key is aligned to slow axis by default for PM devices.**