

1501 RF Connector

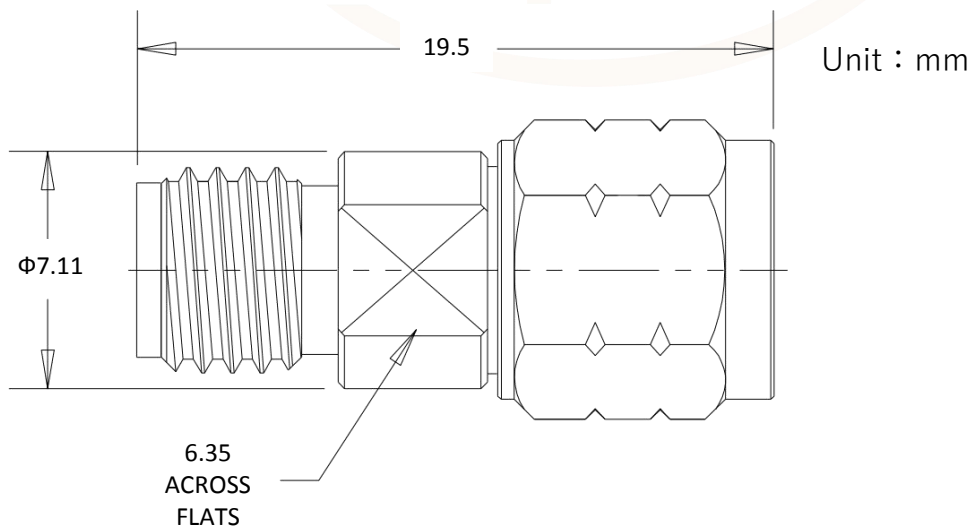


RFC2003

1.85 mm(V)/Male to 2.92 mm(K)/Female Adaptor 40 GHz

Frequency	0 to 40 GHz
VSWR	1.15 max.
Impedance	50 Ohms
Operating Temperature	-45°C to +125°C
1.85 Interface per	IEEE STD P287
2.92 Interface per	MIL-STD-348B
Body	Passivated Stainless Steel
Contacts	BeCu
Contact Plating	Au 50µ" min.
ROHS Compliant	

MECHANICAL DRAWING



Dimensional Tolerances	
.X	± 0.75
.XX	± 0.25
.XXX	± 0.125

1501 RF Connector

TYPICAL DATA

1.85 mm(V)/Male to 2.92 mm(K)/Female

