

1201 InGaAs PIN Photodiode

PD3008



800 nm to 1700 nm InGaAs Quadrant PIN Photodiode

FEATURES

- Low Noise and High Reliability
- 800 nm to 1700 nm Wavelength Range
- Narrow Element Gap 45 μm
- Fast Rise Time and Fall Time
- Low Crosstalk
- Hermetical TO5 Can with Flat Window

USE IN

- Beam Alignment
- Eye-safe Laser Guidance
- Laser Positioning and Laser Navigation
- Laser Range Finder
- Beam Profiling

Response Spectrum	800 nm to 1700 nm	
Active Diameter	1.5 mm	
Element Gap	45 μm	
Responsivity	$\lambda=1550\text{ nm}$, $V_R=5\text{ V}$	0.9 mA/mW min.; 0.95 mA/mW typ.
	$\lambda=1310\text{ nm}$, $V_R=5\text{ V}$	0.85 mA/mW min.; 0.9 mA/mW typ.
	$\lambda=1060\text{ nm}$, $V_R=5\text{ V}$	0.6 mA/mW min.; 0.7 mA/mW typ.
Response Time	3.5 ns typ.	
Dark Current	0.3 nA typ.	
Crosstalk	10% typ.	
Junction Capacitance	25 pF typ.	
Reverse Breakdown Voltage	35 V typ.	
Saturated Optical Power	5 mW typ.	
Operating Voltage	5 V max.	
Shunt Resistance	500 M Ω typ.	
Package	Hermetical TO5 Can with Flat Window	
Operating Temperature	-40°C to +85°C	
Storage Temperature	-40°C to +100°C	
Forward Current	5 mA max.	
Reverse Voltage	10 V max.	

Order notes to our customers: The default parameters are as follows. For special needs, please contact sales.

1) Connector FC/APC, 900 μm , 1 m by default for all devices except for high power devices.

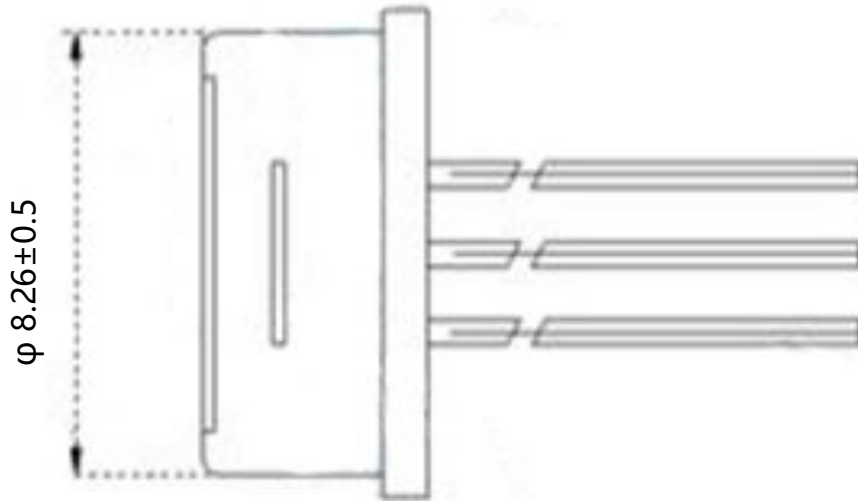
2) Slow axis working, fast axis blocked, connector key is aligned to slow axis by default for PM devices.

1201 InGaAs PIN Photodiode

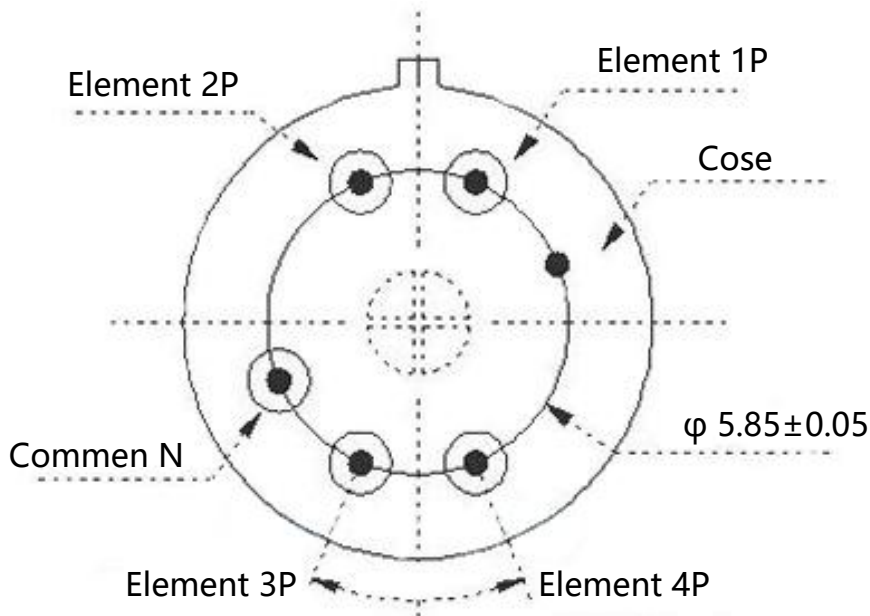
PD3008

MECHANICAL

Unit:mm



Flat Window 6 PIN 8.26 mm TO



Order notes to our customers: The default parameters are as follows. For special needs, please contact sales.

1) Connector FC/APC, 900 um, 1 m by default for all devices except for high power devices.

2) Slow axis working, fast axis blocked, connector key is aligned to slow axis by default for PM devices.