

# 0109 Polarization Beam Combiner

PBC1004-P



## 1460 nm Polarization Beam Combiner w/ PM Fiber Output

This polarization beam combiner has PM fiber output. It offers very low insertion loss, high return loss, high extinction ratio, high stability and high reliability. It can be used for fiber optical current transducers, fiber sensors, optical fiber gyros and coherent telecommunication systems.

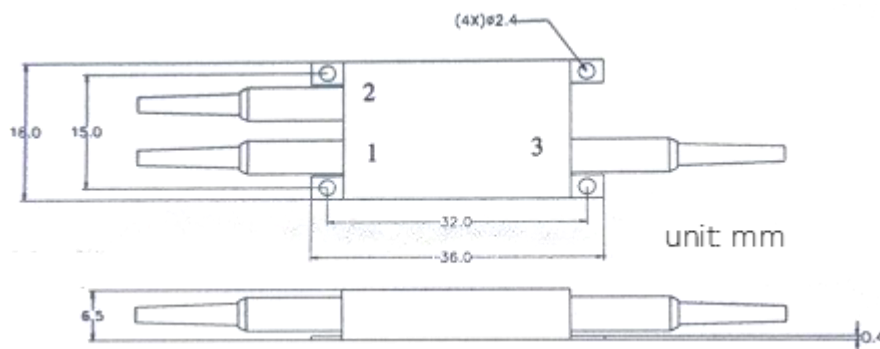
### FEATURES

- Low Insertion Loss
- High Return Loss
- High Extinction Ratio
- High Stability and Reliability

### USE IN

- Fiber Optical Current Transducer
- Fiber Sensor
- Optical Fiber Gyro
- Coherent Telecommunication Systems

### MECHANICAL DRAWING



Center Wavelength	1460 nm
Insertion Loss 1-3	0.70 dB max.
Insertion Loss 2-3	0.70 dB max.
Polarization Extinction Ratio Port 1	20 dB min.
Polarization Extinction Ratio Port 2	20 dB min.
Return Loss	50 dB min.
Fiber Type	#1, #2, #3 w/ Panda PM Fiber
Fiber Length	#1, #2 1.0 m min.; #3 5.0 m min.

**Order notes to our customers:** The default parameters are as follows. For special needs, please contact sales.  
**1) Connector FC/APC, 900 um, 1 m by default for all devices except for high power devices.**  
**2) Slow axis working, fast axis blocked, connector key is aligned to slow axis by default for PM devices.**