

## 0809 Circulator (HP)

### HR2100-P

## 3 Ports 2000 nm High Power Optical Fiber Circulator, PM, 5 W

The HR2100-P has very low insertion loss, high return loss, high isolation and high stability & reliability. It can be used for fiber laser, fiber sensor and fiber instrument.

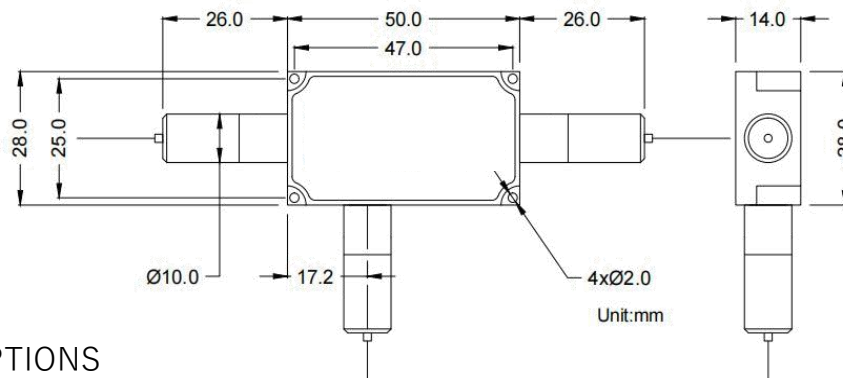
#### FEATURES

- High Return Loss
- Low Insertion Loss
- High Isolation
- High Stability & Reliability

#### USE IN

- Fiber Laser
- Fiber Sensor
- Fiber Instrument

#### MECHANICAL DRAWING



#### ORDERING OPTIONS

-XX: wavelength 1950 nm, 2050 nm

Port Type	3 Port	
Center Wavelength	2000 nm	
Operating Wavelength Range	±10 nm	
Insertion Loss at 23°C	1.3 dB max.	
Isolation at 23°C	16 dB min.	
Crosstalk	50 dB min.	
Extinction Ratio at 23°C	18 dB min	
Return Loss at 23°C	50 dB min.	
Optical Power	5 W max. or Specified	
Package Dimensions	Input Power ≤5 W	5.5x5.5x35 mm
	Input Power ≤20 W	50x28x14 mm
Tensile Load	5 N max.	
Operating Temperature	0°C to +70°C	
Storage Temperature	-40°C to +85°C	