

H2000-S



980 nm/1550 nm Tap Coupler+ Isolator+WDM

The 980 nm/1550 nm tap coupler/isolator hybrid is the combination of a wavelength division multiplexer, tap coupler and an isolator in a compact package. This product has an extremely low insertion loss, a very stable tap-coupling ratio, high isolation, and high return loss. This product offers an integrated solution for EDFA application by combining more functions into a very compact package.

Passive
Devices

Passive
Devices

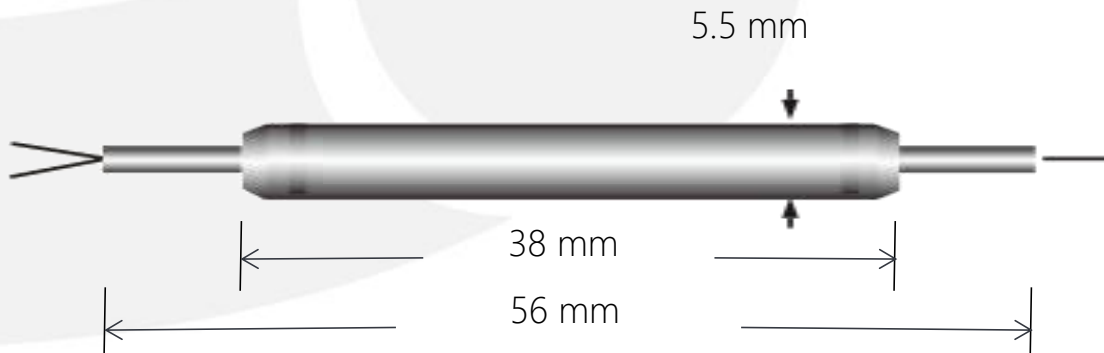
FEATURES

- Wide Operating Wavelength Range
- Low Insertion Loss
- Epoxy Free on Optical Path
- High Channel Isolation
- Ultra Low PDL & PMD
- High Stability and Reliability

USE IN

- Fiber Optic Amplifiers
- HFC Fiber Optic Links
- WDM Systems
- Fiber optic Instruments
- Transmitters and Fiber Lasers
- Laboratory R&D

MECHANICAL DRAWING





0105 Hybrid Device

Passive
Devices

Passive
Devices

Stage	Single Stage	Dual Stage
Signal Operation Wavelength Range	C-band: 1530 nm to 1565 nm	
Pump Channel Wavelength Rang	960 nm to 990 nm	
Isolation (Over Signal Wavelength Range@23°C, All SOP)	30 dB min.	42 dB min.
Wavelength Isolation (4 to 2 @ λ Signal)	15 dB min.	
Wavelength Isolation (1 to 2 or 2 to 1 @ λ Pump)	30 dB min.	
Insertion Loss	Pump Channel	0.6 dB max.
	Signal Channel	1.3 dB max. 1.4 dB max.
	Tap Ratio 1%	19.0 dB to 21.0 dB
	Tap Ratio 2%	16.2 dB to 18.0 dB
	Tap Ratio 5%	12.2 dB to 14.0 dB
Temperature Dependent Loss	0.25 dB max.	0.3 dB max.
Wavelength Dependent Loss	0.5 dB max.	
Return Loss	50 dB min.	
Directivity	50 dB min.	
PDL	0.15 dB max.	0.2 dB max.
Power Handling	300 mW	
Operating Temperature	-10°C to +75°C	
Dimension	5.5x5.5x38 mm	
Fiber Type	Corning HI1060 Fiber at Common and Pump Port Corning SMF-28 Fiber at Signal and Tap Port	