

0407 AWG Multiplexer

G2102-S



200 GHz L-band 40 CH Thermal/ Athermal AWG

The Athermal AWG (AAWG) have equivalent performance to standard Thermal AWG (TAWG) but require no electrical power for stabilization. They can be used as direct replacements for Thin Film Filters (filter type DWDM module) for cases where no power is available, and are suitable for outdoor applications over -30 to +70 degree in access networks. WDM’s Athermal AWG (AAWG) provide excellent optical performance, high reliability, ease of fiber handling and power saving solution in a compact package.

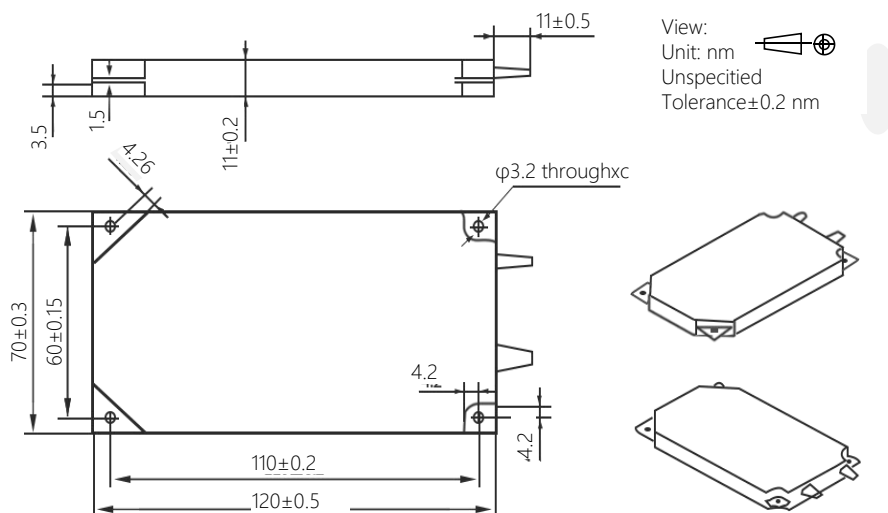
FEATURES

- Low Insertion Loss
- Established Silica-on-Silicon
- Low PDL
- Low Chromatic Dispersion
- Telcordia GR-1221-CORE Qualified

USE IN

- DWDM Transmission
- Wavelength Routing
- Optical Add/Drop Multiplexing

MECHANICAL DRAWING



Number Channel Spacing	200 GHz	
Number of Channels	40	
Cha. Center Wavelength	L-band	
Clear Channel Passband	±12.5 GHz	
Wavelength Stability	±0.005 nm	
-1 dB Channel Bandwidth	0.4 nm min.	
-3 dB Channel Bandwidth	0.24 nm min.	
Insertion Loss Uniformity	1.5 dB max.	
Directivity (Mux Only)	40 dB min.	
Insertion Loss Ripple	1.2 dB max.	
Optical Return Loss	40 dB min.	
PDL	0.3 dB typ.; 0.5 dB max.	
PMD	0.5 dB max.	
Optical Power	0.5 mW max.	
Optical Insertion Loss at ITU Grid	4.5 dB typ.; 6.0 dB max.	
Isolation	Adjacent	25 dB min.
	Non-Adjacent	25 dB min.
	Total Channel Isolation	22 dB min.
Operating Temperature	-5°C to +65°C	
Operating Humidity	5% to +95% RH	
Storage Temperature	-40°C to +85°C	
Storage Humidity	5% to +95% RH	
Package Size	120(L)x70(W)x10(H) mm	
Size between Screws	110x60 mm	