

0204 1xN Coupler Array

C9001-P

1x16 780 nm Polarization Maintaining Fiber Coupler Module

The C9001-P has low insertion loss, high return loss, high extinction ratio and high stability & reliability. It can be used for EDFA & raman amplifier, fiber sensor and fiber optical instrument and power monitoring system.

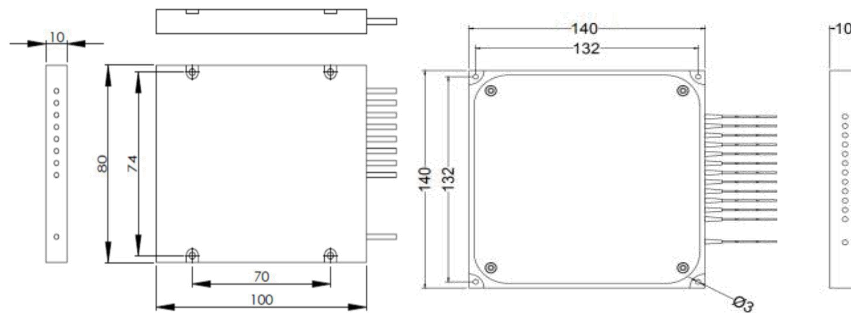
FEATURES

- High Return Loss
- Low Insertion Loss
- High Extinction Ratio
- High Stability & Reliability

USE IN

- EDFA & Raman Amplifier
- Fiber Sensor
- Fiber Optical Instrument
- Power Monitoring System

MECHANICAL DRAWING



ABS Box: 100x80x10 mm

Aluminium Box: 140x140x10 mm

Center Wavelength	780 nm	
Insertion Loss @23°C	16.5 dB max.	
Wavelength Dependent Loss	0.8 dB max.	
Extinction Ratio @23°C	Both Axis Working	18 dB min.
	Fast Axis Blocked	22 dB min.
Return Loss	50 dB min.	
Insertion Temperature Stability (-40°C to +85°C)	0.5 dB max.	
Optical Power(CW)	300 mW max.	
Tensile Load	5 N max.	
Fiber Type	PM Panda Fiber	
Package Dimensions	ABS Box	100x80x10 mm or 120x80x10 mm
	Aluminium Box	140x140x10 mm or Customized
Operating Temperature	-5°C to +70°C	
Storage Temperature	-40°C to +85°C	