

1203 APD (Avalanche Photo Diode)

APD2000

400 nm to 1100 nm Si Avalanche Photodiode



Ball Lens Window

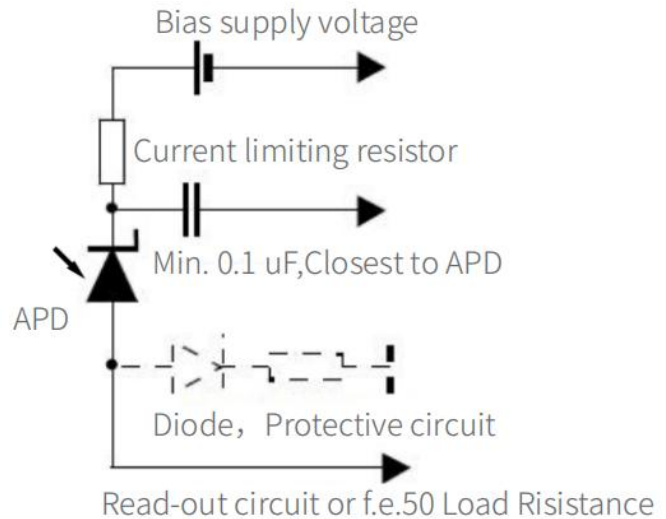


Flat Window

USE IN

- Ultra-weak Pulse Optical Detection
- Lidar
- Laser Ranging
- Fiber Optic Sensor, OTDR
- High Resolution Optical Coherence Tomography
- Scientific Analysis and Experiment

APPLICATION CIRCUIT



Part No.	Photosurface (μm)	Response Wavelength (nm)	Responsivity (mA/mW)	Rise Time (ns)	Dark Current (pA@V)	Reverse Breakdown Voltage (V@I _d =10 nA)
APD2000-1	Φ230	400 to 1100	0.57@M=1, 905 nm	0.3@ M=100, RL=50 Ω, 905 nm	0.03@M=100	120 to 200
APD2000-2	Φ500	400 to 1100	0.57@M=1, 905 nm	0.5@ M=100, RL=50 Ω, 905 nm	0.05@M=100	120 to 200
APD2000-3	Φ800	400 to 1100	0.57@M=1, 905 nm	0.7@ M=100, RL=50 Ω, 905 nm	0.7@M=100	220 to 580
APD2000-4	Φ500	400 to 1100	0.65@M=1, 905 nm 0.37@M=1, 1064 nm	2.5@ M=100, RL=50 Ω, 1064 nm	1.2@M=100	220 to 580
APD2000-5	Φ800	400 to 1100	0.65@M=1, 905 nm 0.37@M=1, 1064 nm	3 @ M=100, RL=50 Ω, 1064 nm	3@M=100	220 to 580

Order notes to our customers: The default parameters are as follows. For special needs, please contact sales.

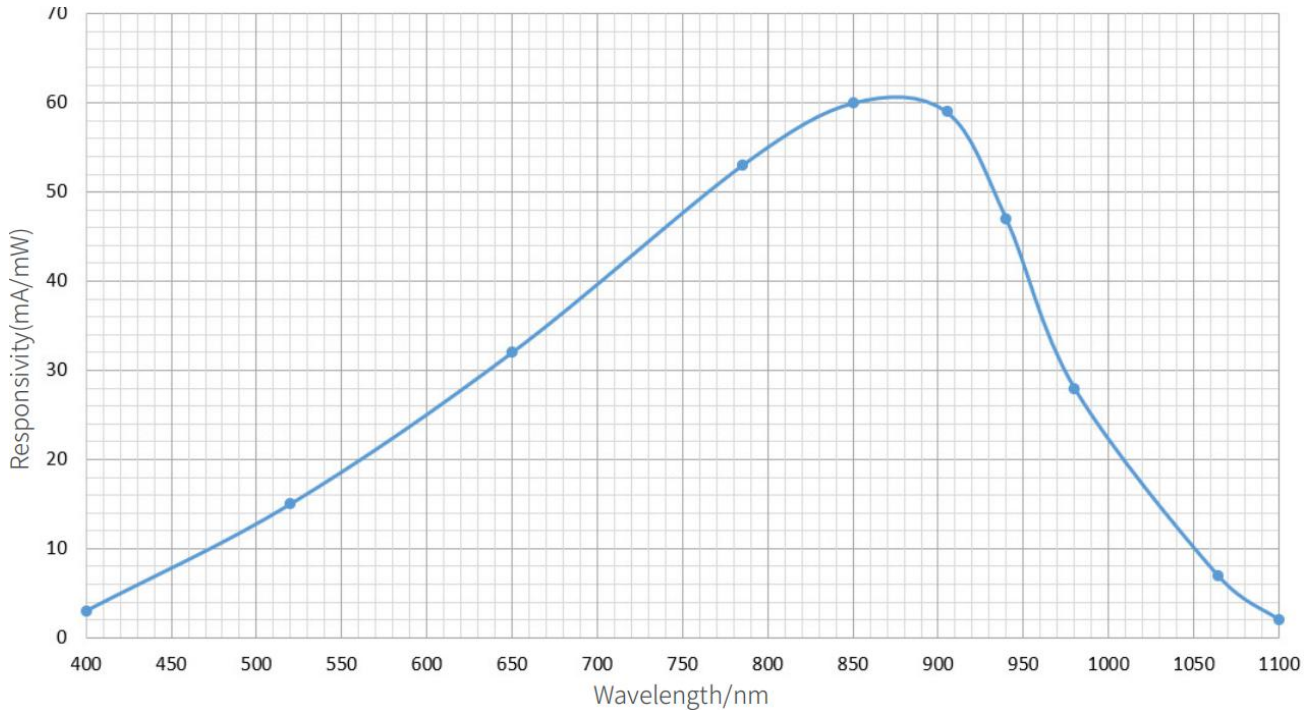
1) Connector FC/APC, 900 μm, 1 m by default for all devices except for high power devices.

2) Slow axis working, fast axis blocked, connector key is aligned to slow axis by default for PM devices.

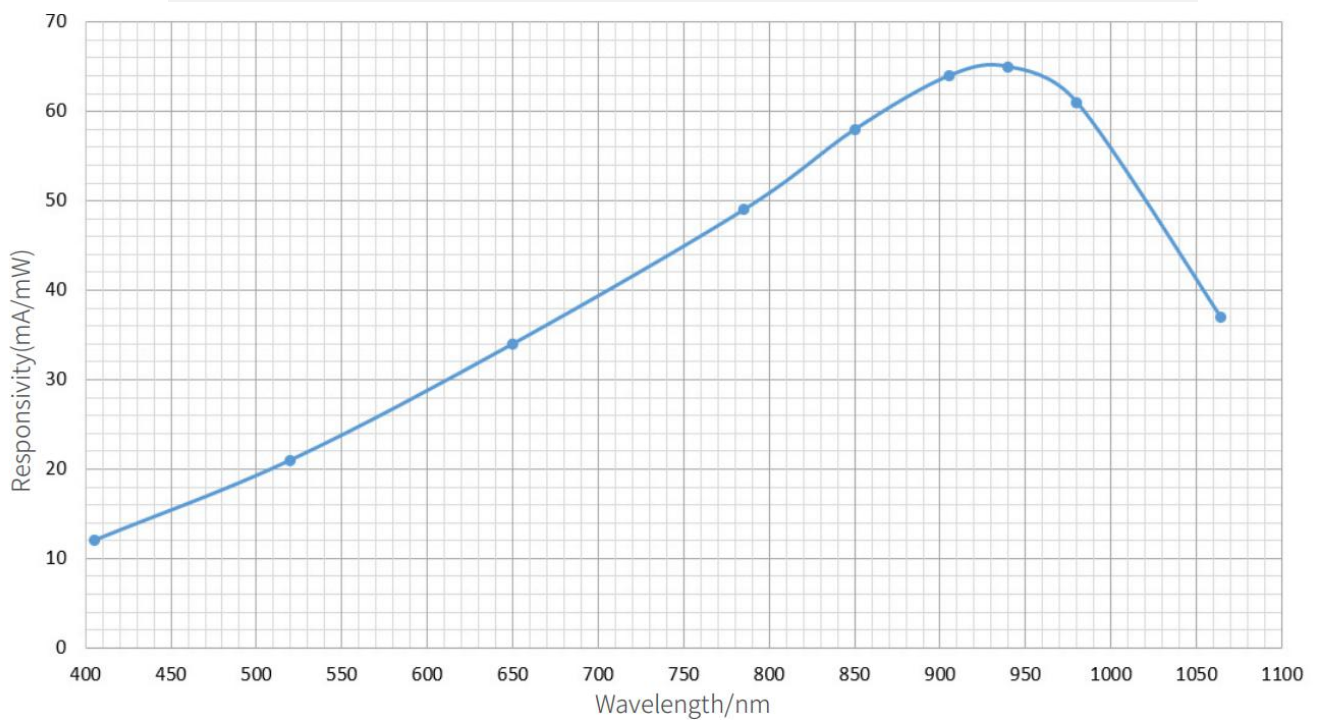
1203 APD (Avalanche Photo Diode)

APD2000

The Typical Responsivity Curve of APD2000-1 APD2000-2 APD2000-3



The Typical Responsivity Curve of APD2000-4 APD2000-5



Order notes to our customers: The default parameters are as follows. For special needs, please contact sales.

- 1) Connector FC/APC, 900 um, 1 m by default for all devices except for high power devices.
- 2) Slow axis working, fast axis blocked, connector key is aligned to slow axis by default for PM devices.