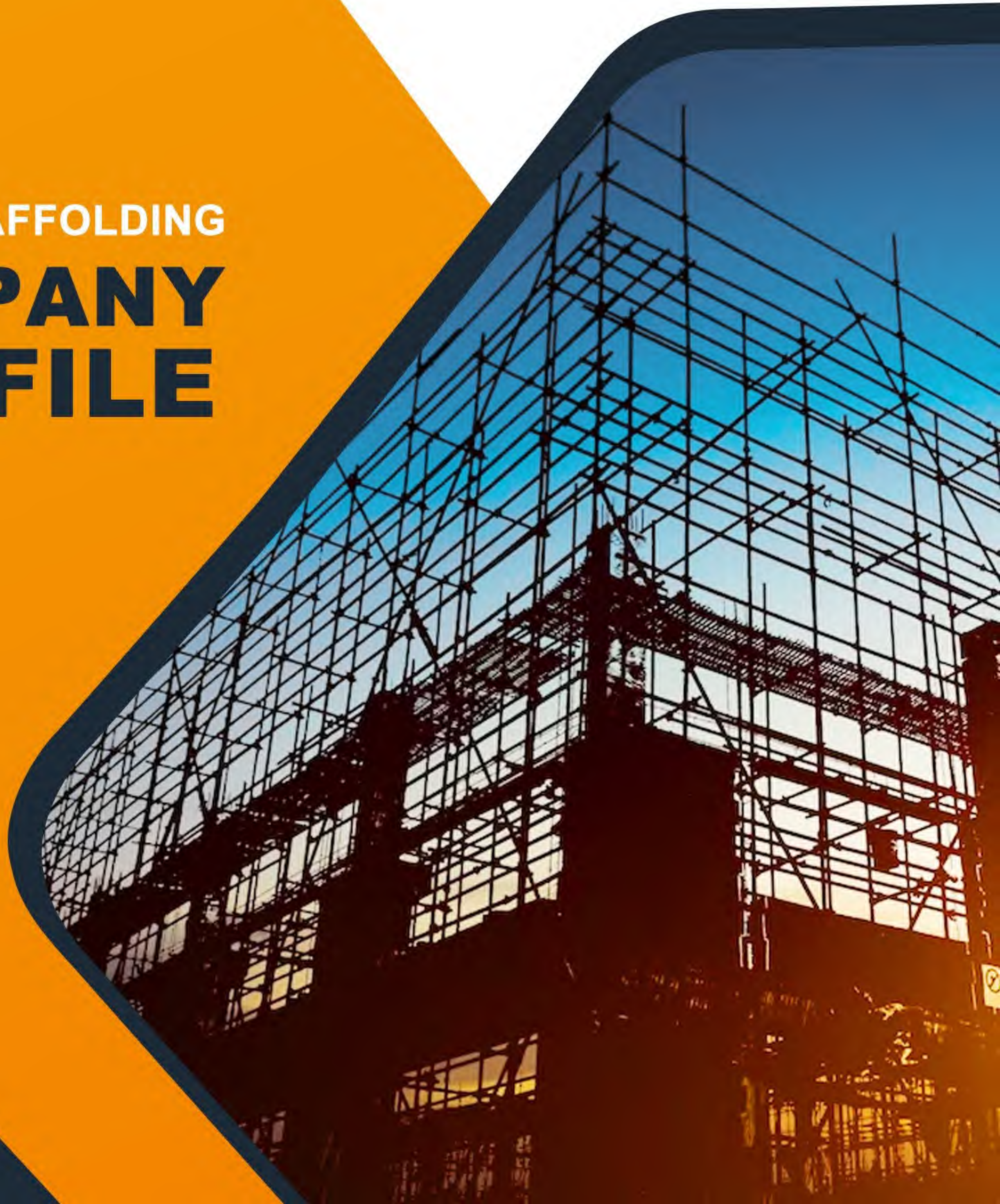




QUEEN

SCAFFOLD MANUFACTURE

QUEEN SCAFFOLDING
**COMPANY
PROFILE**





WELCOME TO

LINYI QUEEN SCAFFOLDING

Linyi Queen Scaffolding is a well-known enterprise committed to the manufacture, research and development of scaffolding series products. As a one-stop supplier, we can supply scaffolding, formworks system products, scaffolding tools and safety products in construction.



WE ARE THE **TOP 1** IN CHINA
SCAFFOLDING QUALITY RANKING.





TABLE OF CONTENTS

Company Introduction **01**

Company Services **02**

Culture and Honor **03**

Product Overview **04**

Development history

Linyi Queen Scaffolding was founded in 2013, The company has more than 100 products suppliers,we have a very strict management of the supply chain, and strictly control the quality of products and delivery time.At the same time, we also have our own factory ,which can meet the customized needs of customers.

- 2013** ● Linyi Queen Scaffolding Manufacture Co.,LTD was founded.
- 2015** ● Linyi Queen IMP&EXP Co.,LTD was founded.
- 2017** ● LINYI Queen Scaffolding Spanner Factory was founded.
- 2019** ● Linyi Queen Scaffolding Inspection Center Was Founded
- 2022** ● Linyi Queen Passed Ce, ISO9001, BSCI Certificated.
- 2023** ● The Scale Of The Company Continues To Expand





CEO Message

DEREK SHAO

Co-founder of Linyi QUEEN SCAFFOLDING
Senior engineer

Young entrepreneur

He is honest and trustworthy and fearless of difficulties.

Over the past few years, his business has continuously expanded into many fields, and he has developed into a benchmark in the industry.

Our Team

Linyi Queen Import and Export Co., Ltd. is a well known enterprise dedicated to scaffolding products, scaffolding tools and safety products.

Our team own 20 designers,50 customer service, 200 experienced workers.



Department of Design

We own 20 designers and 200 experienced workers. Relying on China's complete industrial chain, controlling every link from raw materials to delivery, increasing delivery speed.



Sales Department

We have 50 sales and customer service, efficient communication, answer your questions and doubts quickly.



Quality Inspection Department

We have internal quality testing departments, Only the finished product tested qualified will be delivered to the customer to ensure that the customer can use it with confidence.

Company Culture



Our Mission

Our mission is to relentlessly pursue excellence in customer satisfaction and business results.



Our Vision

We focus on customer service, innovation, project management and an unwavering focus on scaffolding safety.



Our Value

Be kind to customers and grow together with them.



Social Responsibility

Pay attention to quality, keep innovating, and let more customers love products which made in China



Our Service

Linyi Queen Scaffolding has full customization capability, we can provide design-based and sample-based customization. ODM service is available. We have complete supplier assessment procedures to provide consolidation service for customers meet their diversified purchasing needs. We have passed the quality management certificated, on-site material inspection and finished product inspection are necessary. Linyi Queen Scaffolding is the cooperated supplier.



ONE-STOP PROCUREMENT SUPPLIER

Customers can realize one-stop procurement in our company, you can buy what you want here to improve the purchase efficiency.



FULL CUSTOMIZATION

We can customize based on the drawings or samples provided by customers, Customize exclusive molds for customers, and build their own brand for customers in the scaffolding industry.



ON-SITE TECHNICAL SUPPORT

Linyi Queen Scaffolding manufacture center covers 10,568 square meters, annual exports are 7.2 million US dollars. It is a supplier to Fortune 500 companies.



ODM SERVICE

We are the original design manufacturers, and we can provide customers with services from product development, design, manufacturing to after-sales.



CONSOLIDATION SERVICE

Our company which can provide you with the purchase of different products. We can consolidate goods from different suppliers in China.



QUALITY TEST SERVICE

We can provide quality test service. If you have other products need to be purchased in China, we can help you to check the factory and check the goods, and issue a report on the inspection.

Honor and Strength



Verified

Intertek Alibaba Verified

Linyi Queen Import and Export Co., Ltd.

<http://lyqueen.en.alibaba.com>

Onsite assessment of the following areas was conducted by Intertek.

- | | |
|--|--|
| <input checked="" type="checkbox"/> Annual export US \$7,200,000 | <input checked="" type="checkbox"/> Annual sales US \$7,200,000 |
| <input checked="" type="checkbox"/> Total floorspace (10,568m ²) | <input checked="" type="checkbox"/> Years in industry(10) |
| <input checked="" type="checkbox"/> Cooperated suppliers (30) | <input checked="" type="checkbox"/> Suppliers fortune 500 companies |
| <input checked="" type="checkbox"/> Design-based customization | <input checked="" type="checkbox"/> Sample-based customization |
| <input checked="" type="checkbox"/> On-site technical support | <input checked="" type="checkbox"/> International service centers(1) |
| <input checked="" type="checkbox"/> Consolidation service | <input checked="" type="checkbox"/> Multi-Language capability |
| <input checked="" type="checkbox"/> Total staff (86) | <input checked="" type="checkbox"/> Global export expertise |
| <input checked="" type="checkbox"/> ODM services available | <input checked="" type="checkbox"/> Socially responsible |
| <input checked="" type="checkbox"/> Full customization | <input checked="" type="checkbox"/> Minor customization |
| <input checked="" type="checkbox"/> International warehouses(1) | <input checked="" type="checkbox"/> Total trading staff (25) |
| <input checked="" type="checkbox"/> Finished product inspection | <input checked="" type="checkbox"/> Quality management certified |
| <input checked="" type="checkbox"/> Supplier assessment procedures | <input checked="" type="checkbox"/> Testing instruments (1) |
| <input checked="" type="checkbox"/> International showrooms(1) | <input checked="" type="checkbox"/> On-site material inspection |
| <input checked="" type="checkbox"/> Current Export Situation | <input checked="" type="checkbox"/> Export Business Capacity |
| <input checked="" type="checkbox"/> Production Capacity | <input checked="" type="checkbox"/> Quality Assurance |
| <input checked="" type="checkbox"/> Production Process Management | <input checked="" type="checkbox"/> R&D Capacity |
| <input checked="" type="checkbox"/> Company Development/ Expansion Plans | <input checked="" type="checkbox"/> Production Flow |
| <input checked="" type="checkbox"/> Certification & Photos | <input checked="" type="checkbox"/> Company and Product Samples |

Issued by:  **Alibaba.com**

Assessed by:

intertek
Total Quality. Assured.

Monitoring result for LINYI QUEEN IMP&EXP CO.,LTD on site LINYI QUEEN IMP&EXP CO.,LTD



Monitoring

Monitored Party	: LINYI QUEEN IMP&EXP CO.,LTD
amfori ID	: 156-036318-000
Site	: LINYI QUEEN IMP&EXP CO.,LTD
Site amfori ID	: 156-036318-001
Address	: No.0001,Xujia huangsuo village,tuanlin Town,Lingang Economic Development Zone
	: LINYI
	: Shandong Sheng
	: China
Monitoring Activity	: amfori Social Audit - Manufacturing
Monitoring Type	: Full Monitoring
Submission Date	: 19/06/2022
Expiration Date	: 19/06/2023

This is an extract of the online monitoring result, generated on 19/06/2022, and is only valid as an acknowledgement of the result. To see all the details, review the full monitoring result, which is available [here](#) - The English version is the legally binding one.



amfori does not assume any liability with regard to the compliance of this extract, or any versions of this extract, with the Regulation (EU) 2016/679 (General Data Protection Regulation).

All rights reserved. No part of this publication may be reproduced, translated, stored in a retrieval system, or transmitted, in any form or by any means electronic, mechanical, photocopying, recording or otherwise, be lent, re-sold, hired out or otherwise circulated without the amfori consent. © amfori, 2021

Overall rating



Section rating

PA1: Social Management System	C
PA 2: Workers Involvement and Protection	B
PA 3: The Rights of Freedom of Association and Collective Bargaining	A
PA 4: No Discrimination	A
PA 5: Fair Remuneration	B
PA 6: Decent Working Hours	D
PA 7: Occupational Health and Safety	B
PA 8: No Child Labour	A
PA 9: Special Protection for Young Workers	A



Form QAT_10-M05, version 02, effective since September 5th, 2022

Certificate



No. 4Z230615.LQITU65

Certificate's Holder: Linyi Queen Imp & Exp Co., Ltd.
Iec 1712 Shanghai Road Lanshan District Linyi City
Shandong Province China

Certification ECM Mark:



Product: Scaffolding
Brand: LINYI QUEEN
Model(s): Scaffolding Tube 48.3x4.0mm
48.3x3.75mm, 48.3x3.25mm
Double coupler 48.3mm
Swivel coupler 48.3mm
Toe board coupler 48.3mm
Sleeve coupler 48.3mm
Putlog Coupler 48.3mm
Half coupler 48.3mm

Verification to: Standard:
BS EN 39:2001, BS 1139-1.2:1990, EN 74-1:2022,
EN 74-2:2022

Remark:

The manufacturer has voluntarily decided to submit its documents concerning the above-mentioned product for verification. Ente Certificazione Macchine confirms that the documentation made available and immediately returned to it, as containing sensitive data, meets the essential requirements of the above-mentioned directives. The verification activity carried out exclusively concerned the technical documentation and no verification was carried out on the product. This document cannot replace the EC Declaration of Conformity. The above conformity mark can be affixed to the technical documentation in accordance with the ECM regulation on its issue and use, published on the website www.entecerma.it

Date of issue 15 June 2023

Expiry date 14 June 2028

For online check:



Approver
Ente Certificazione Macchine
Legal Representative
Luca Redonni



Ente Certificazione Macchine Srl

Via Ca' Bella, 243 – Loc. Castello di Serravalle – 40053 Valsamoggia (BO) - ITALY
☎ +39 051 6705141 📠 +39 051 6705156 ✉ info@entecerma.it 🌐 www.entecerma.it

شهادة – Certificate – 증명서 – 證明書 – Сертификат



ASCEND



Quality Management System Certification
To Certify
LINYI QUEEN IMP&EXP CO.,LTD.

Registered Address: ROOM 1712, BUILDING 1, IEC INTERNATIONAL ENTERPRISE CENTER, INTERSECTION OF SHANGHAI ROAD AND XIAOHE ROAD, LIUQING STREET, LANSHAN DISTRICT, LINYI CITY, SHANDONG PROVINCE
Business Address: ROOM 1712, BUILDING 1, IEC INTERNATIONAL ENTERPRISE CENTER, INTERSECTION OF SHANGHAI ROAD AND XIAOHE ROAD, LIUQING STREET, LANSHAN DISTRICT, LINYI CITY, SHANDONG PROVINCE
Production Address: BUILDING 101, BUILDING 0001, HUANGSUO VILLAGE, XUJIA, TUANLIN TOWN, LINGANG ECONOMIC DEVELOPMENT ZONE, LINYI CITY, SHANDONG PROVINCE

Its quality management system has passed the certification review of ASCED, to meet
GB/T19001-2016 idt ISO9001:2015 Standard
Scope of approval
MANUFACTURING, RESEARCH AND DEVELOPMENT (R&D) OF HARDWARE TOOLS AND SCAFFOLDING

Certificate number: **ASED2022Q1412R0S**
Unified credit social code: **91371302076984683N**
Certificate of the issuance date: **19 Aug. 2022**
Certificate of the Change date: **09 Sep. 2022**
Certificate of the effective date: **18 Aug. 2025**
The authentication manager: *Yiman Cai*



First supervision and examination: effective after labeling on 2023.08

Second supervision and examination: effective after labeling on 2024.08



This certificate issued by Shanghai Ascend Certification&Technical Co.,Ltd. The certificate is only valid with related permits when appropriated. The certificated organization must successful pass the annual surveillance audit to maintain the validity after the certificated approval date. It should be returned if the management system of certificated organization to fail to be in conformity with the certification standard. The effectiveness of the certification qualification can be log on www.ascendchina.com.cn to query. Certificate information also can inquire on <http://cx.cnca.cn> by national certification and accreditation.

Ascend Certification

Address: 28A Yindong building, No. 58, Xinjinqiaoroad, Pudong, Shanghai (China free trade area)

The Exhibition



United Italy

FIXY & HTN
— GROUP —

Our Factory



10,568M²+
Factory Area



20
Punching Machines



6
Aluminum Alloy
Casting Lines



6
Welding Robots



10
CNC Machining
Centers



5
Laser Cutting
Machines



Pedal workshop



Steel Prop Workshop



Scaffold Workshop



H20 Beam Workshop



Coupler Workshop

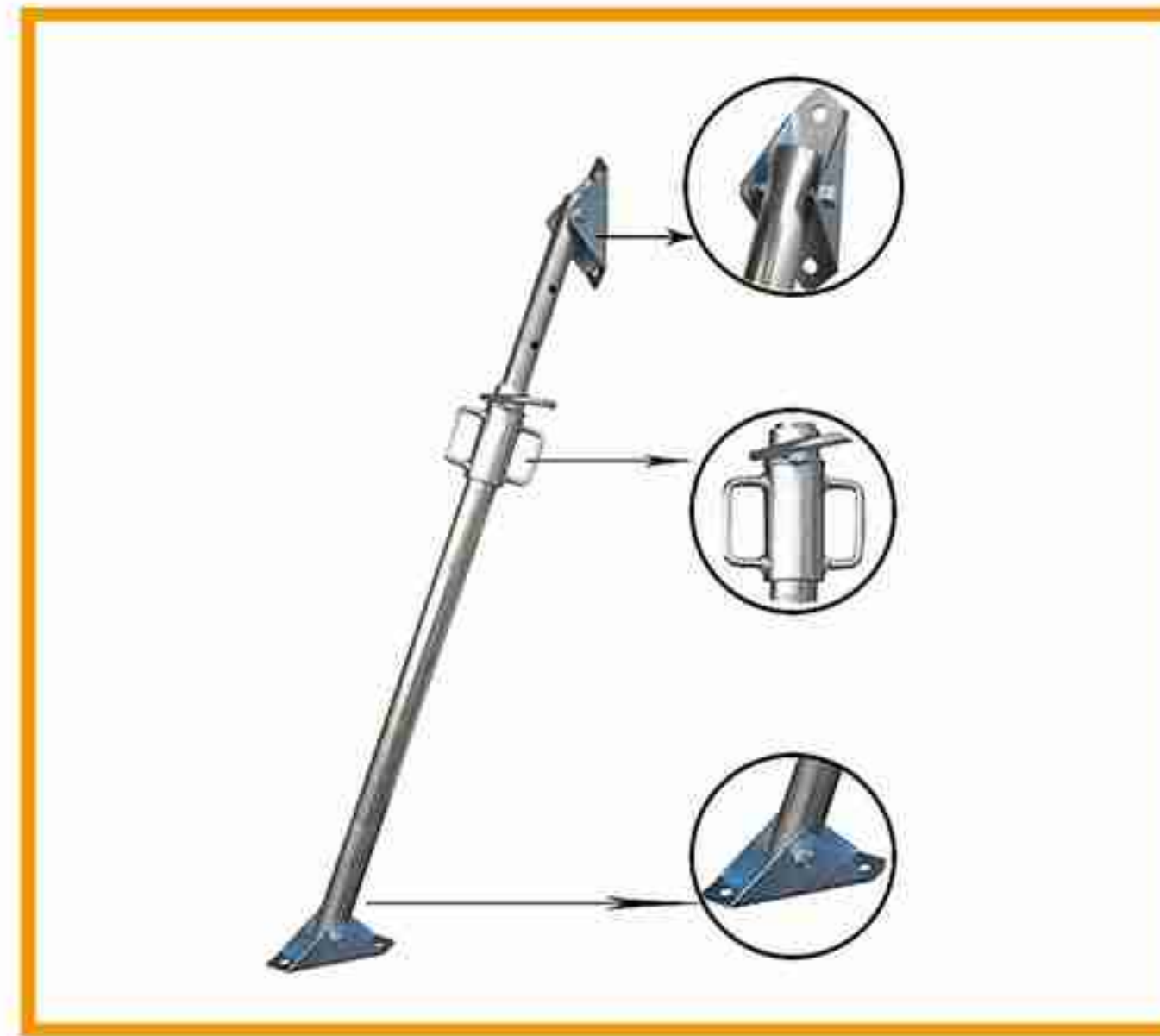


Tool workshop

Main Product Display



Adjustable Steel Prop



Adjustable Push Pull Prop



Standard Telescopic Prop



Aluminium Multi Prop



Italy Props



French Prop



Ringlock Scaffolding



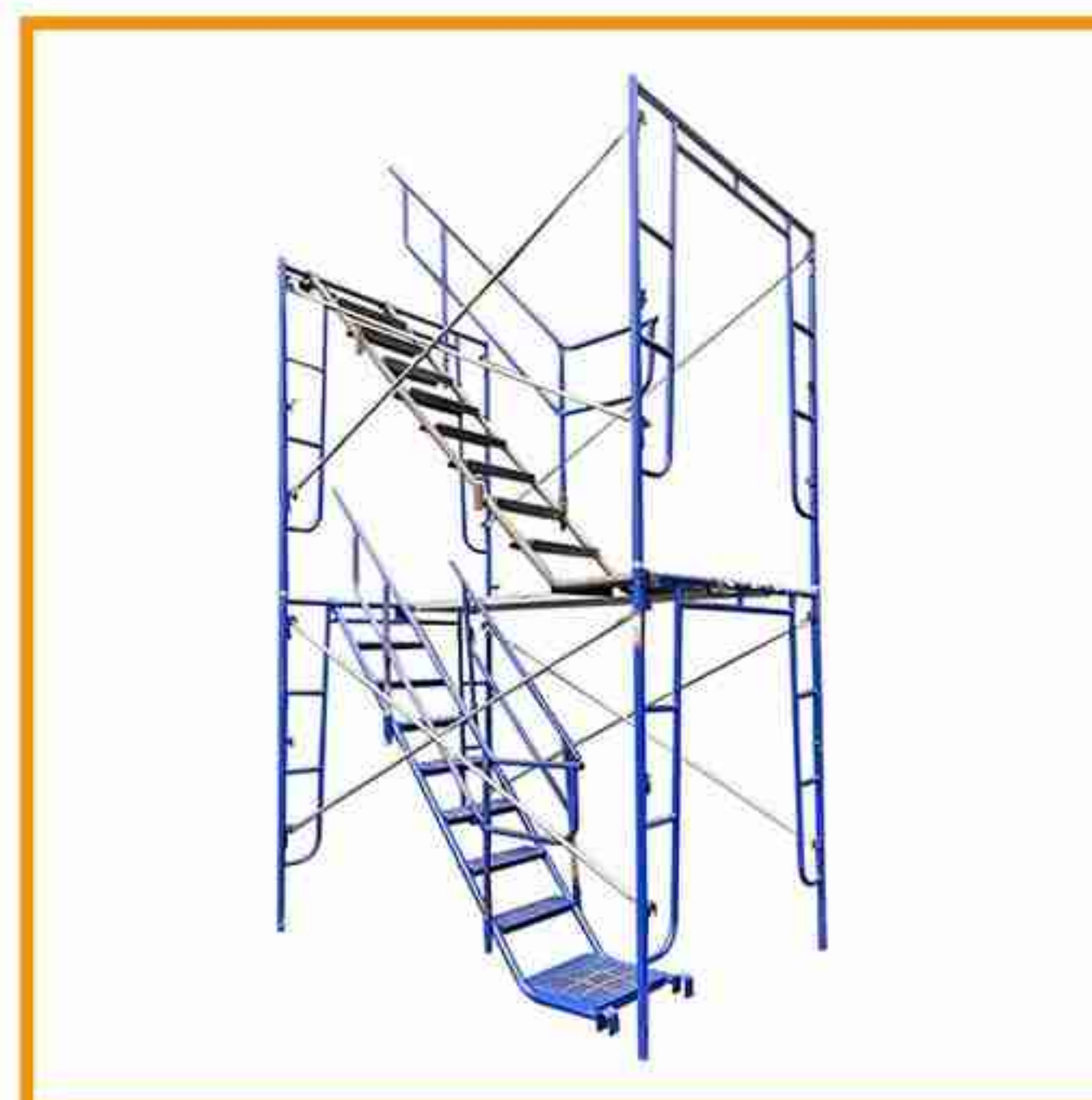
Kwikstage Scaffolding



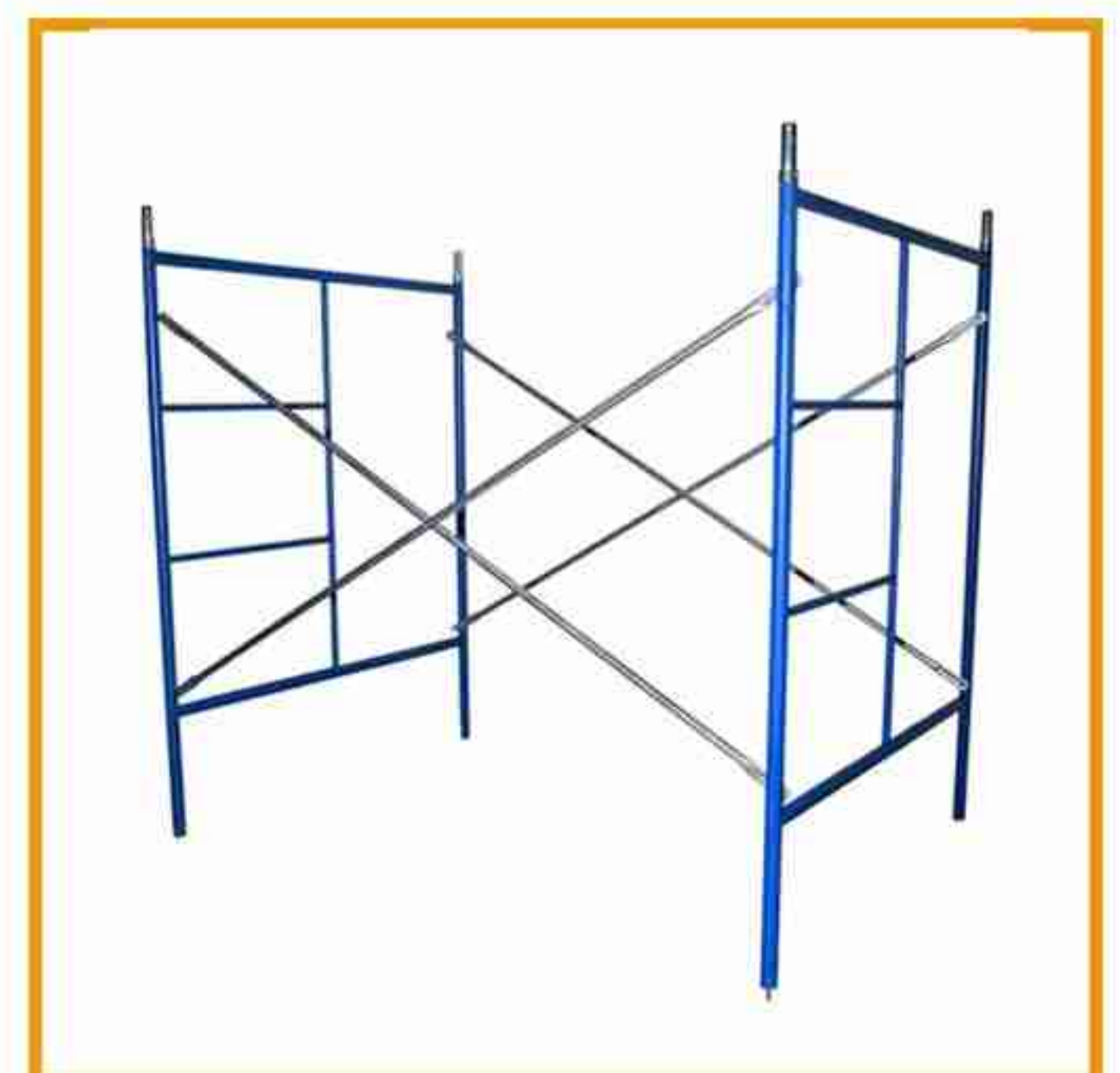
Bridge Leg



Italy Frame Scaffolding



Walk Through Frame



Manson Frame

Main Product Display



Baker Scaffolding



Mobile Aluminium Scaffolding



Slab Formwork



H20 Timber Beame



3-Ply Shuttering Panel



LVL Scaffolding Board



Aluminium Plank



Steel Plank



240MM Steel Plank



Ringlock Steel Deck



Ladder Access Deck



Trench Box

Main Product Display



Galvanized Tube



Pressed Coupler



Drop Forged Coupler



Drop Forged Eye Bolt



Screw Anchor Eyebolt



Tubular Anchorage



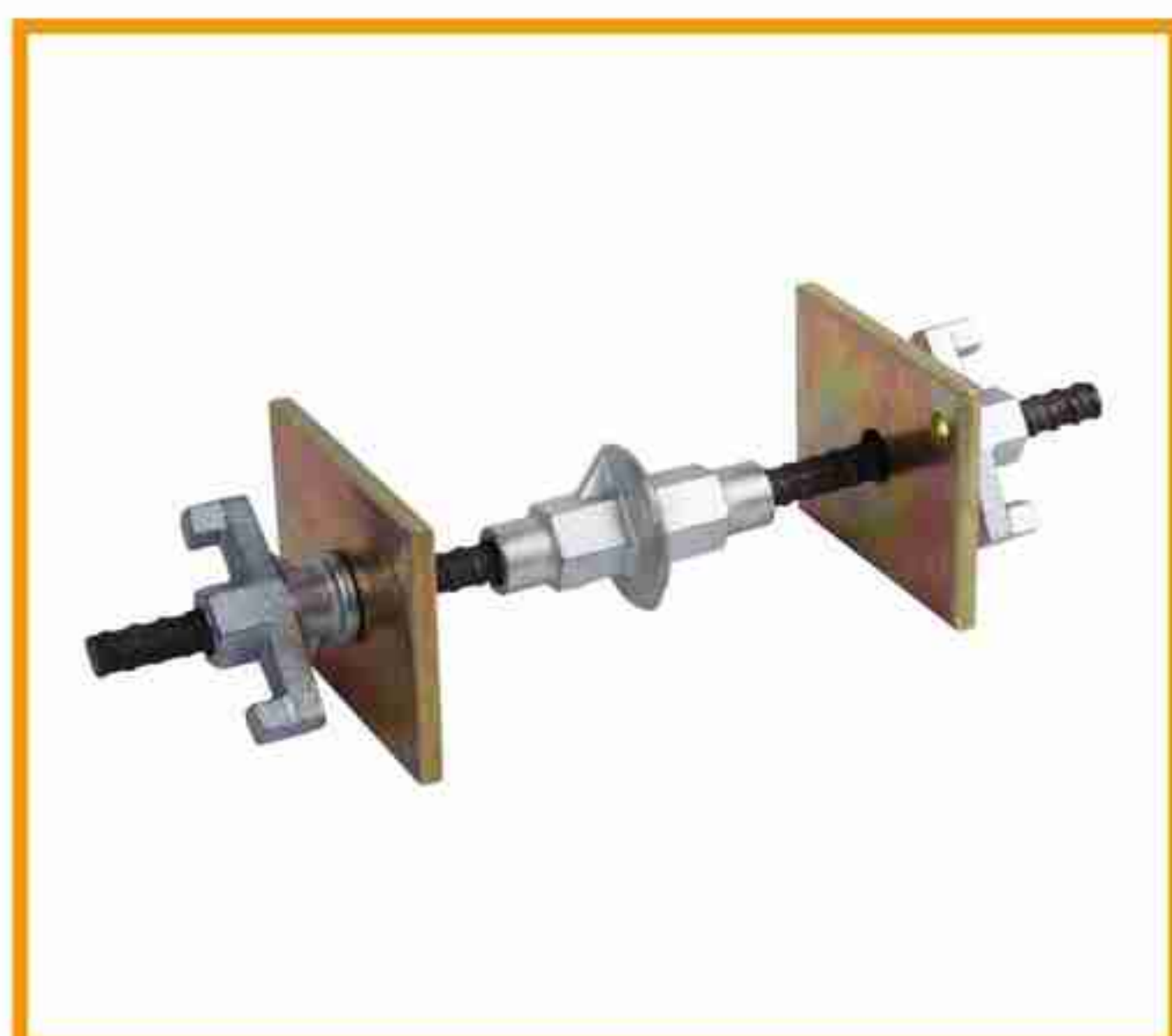
Formwork Clamp



Forkhead Jack



Screw Jack Base



Wing Nut



Coupling Pin



Lock Pin

Main Product Display



Ratchet Wrench



Scaffold Spanner



Spirit Level



Claw Hammer



Black Podger Hammer



Welded Hammer



Tool Belt Kits



Coiled Tool Lanyard



Retractable Tool Lanyard



Toggle Tie



Safety Cover Product



Lifting Bag

Main Product Display



Safety Tag



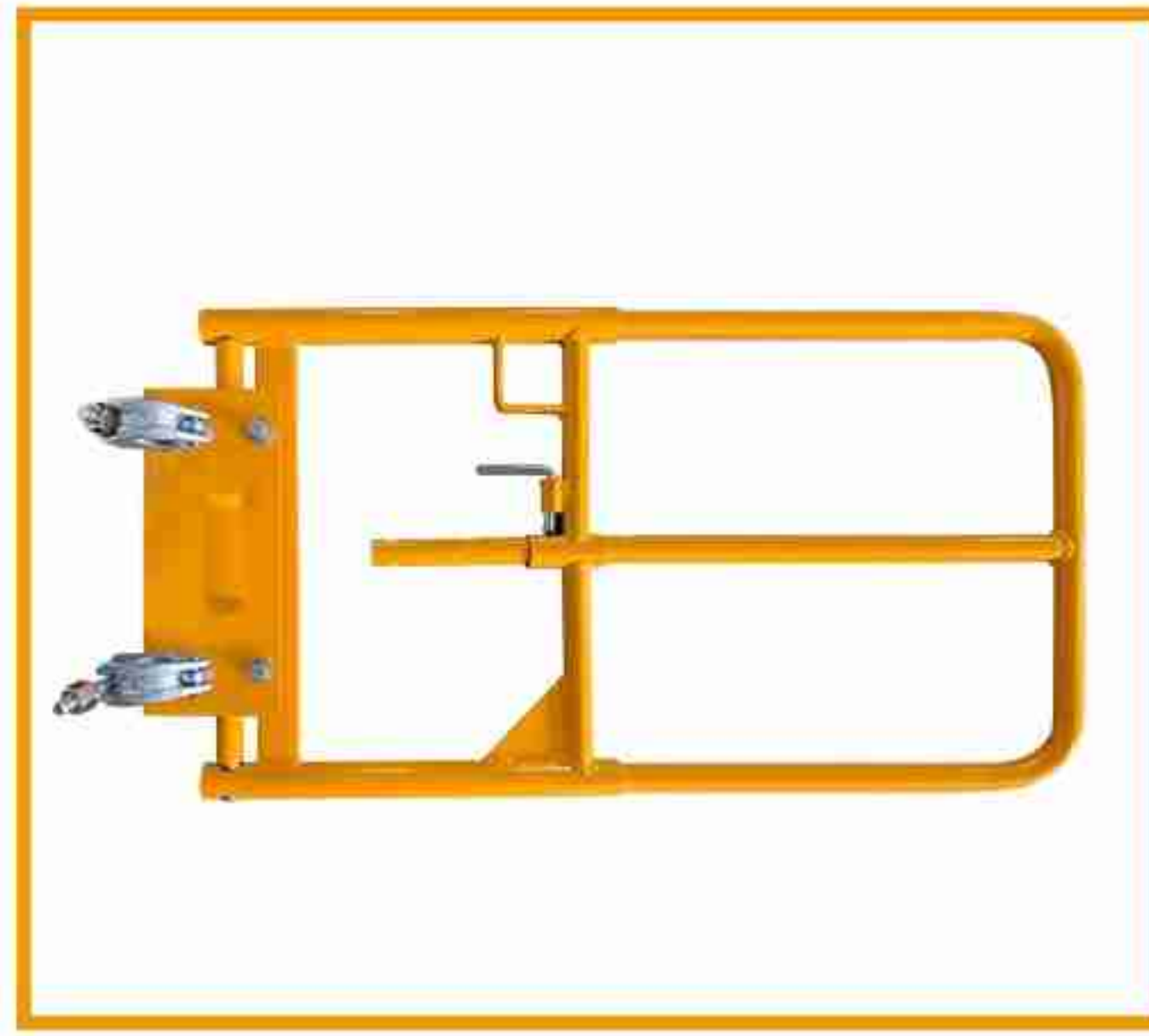
Gin Wheel



Trash Chutes



Adjustable Swing Gate



Adjustable Swing Gate



Swing Gate



Construction Barrier



Guardrail



Caster Wheel Jack Base



**“Scaffolding One-stop
Procurement Supplier”**



Contact Us

Linyi Queen Scaffolding

-  0086-539-8612887
-  0086-18653976938
-  info@lyqueen.com
sophie@lyqueen.com
-  www.scaffolding-in-china.com
-  18/F Tai Sheng Gran Centre, Nanjing Road,
Lanshan District, Linyi City ,Shandong Province
China 276000