

VOLANTEX RC



**OFF-ROAD CAR
SERIES MANUAL**

CAUTIONS

The following terms are used throughout the product literature to indicate various levels of potential harm when operating this product:

NOTICE: Procedures, which if not be properly followed, will create a possibility of physical property damage AND or possibility of injury.

WARNING: Read the **ENTIRE** instruction manual to become familiar with the features of the product before operating. Failure to operate the product correctly can result in damage to the product, personal property and cause serious injury.

This is a sophisticated hobby product. It must be operated with caution and common sense and requires some basic mechanical ability. Failure to operate this Product in a safe and responsible manner could result in injury or damage to the product or other property. This product is not intended for use by children without direct adult supervision. Do not use with incompatible components or alter this product in any way outside of the instructions provided by VolantexRC Co., Ltd.. This manual contains instructions for safety, operation and maintenance. It is essential to read and follow all the instructions and warnings in the manual, prior to assembly, setup or use, in order to operate correctly and avoid damage or serious injury.

AGE RECOMMENDATION: NOT FOR CHILDREN UNDER 14 YEARS. THIS IS NOT A TOY.

Safety Precautions and Warnings

As the user of this product, you are solely responsible for operating in a manner that does not endanger yourself and others or result in damage to the product or property of others.

Always keep a safe distance in all directions around your model to avoid collisions or injury. This model is controlled by a radio signal subject to interference from many sources outside your control. Interference can cause momentary loss of control.

Always operate your vehicle in open space away from full-size vehicles, traffic, people and animals.

Always carefully follow the directions and warnings for this and any optional support equipment (chargers, rechargeable battery packs, etc.).

Always keep all chemicals, small parts and anything electrical out of the reach of children.

Always avoid water exposure to all equipment not specifically designed and protected for this purpose. Moisture causes damage to electronics.

Never place any portion of the vehicle in your mouth as it could cause serious injury or even death.

Never operate your vehicle with low transmitter batteries.

Always keep your vehicle in sight and under control.

Always use fully charged batteries.

Always keep transmitter powered on while your vehicle is power on.

Always remove batteries before disassembly.

Always keep moving parts clean.

Always keep parts dry.

Always let parts cool after use before touching.

Always remove batteries after use.

Never operate your vehicle with damaged wiring.

Battery Warnings

IMPORTANT NOTE: Lithium Polymer (LiPo) batteries are significantly more volatile than the alkaline, NiCd and NiMH batteries also used in RC applications. All instructions and warnings must be followed exactly to prevent property damage and/ or personal injury as mishandling of LiPo batteries can result in fire.

By handling, charging or using the included LiPo battery you assume all risks associated with LiPo batteries. If you do not agree with these conditions, please return your complete product in new, unused condition to the place of purchase immediately.

You must read the following safety instructions and warnings before handling, charging or using the LiPo battery.

- You must charge the LiPo battery in a safe area away from flammable materials.
- Never charge the LiPo battery unattended at any time. When charging the battery you should always remain in constant observation to monitor the charging process and react immediately to any potential problems that may occur.
- After flying / discharging the battery you must allow it to cool to ambient / room temperature before recharging. Also, it is NOT necessary or recommended to discharge the battery 'completely' before charging (LiPo batteries have no 'memory' and it's safe to charge partially discharged batteries when using an appropriate charger and settings).
- To charge the battery you must use only the stock included Charger or a suitably compatible LiPo battery charger. Failure to do so may result in a fire causing property damage and/ or personal injury. DO NOT use a NiCd or NiMH charger to charge Li-Po battery.
- If at any time during the charge or discharge process the battery begins to balloon or swell, discontinue charging or discharging immediately. Quickly and safely disconnect the battery then place it in a safe, open area away from flammable materials to observe it for at least 15 minutes. Continuing to charge or discharge a battery that has begun to balloon or swell can result in a fire. A battery that has ballooned or swollen even a small amount must be removed from service completely.
- Store the battery partially charged (approximately 50% charged/3.85V per cell), at room temperature (approximately 68–77° Fahrenheit [F]) and in a dry area for best results.
- When transporting or temporarily storing the battery, the temperature range should be from approximately 40–100°F. Do not store the battery or model in a hot storage car or direct sunlight whenever possible. If stored in a hot garage or car the battery can be damaged or even catch fire.
- Do not over-discharge the LiPo flight battery. Discharging the LiPo flight battery to a voltage that is too low can cause damage to the battery resulting in reduced power, flight duration or failure of the battery entirely.
- LiPo cells should not be discharged to below 3.0V each under load. In the case of the 2-Cell/ 2S 7.4V LiPo battery used to power the plane you will not want to allow the battery to fall below 6.0V during flight.

The included ESC features a 'soft' low voltage cutoff (LVC) that smoothly reduces power to the motor (regardless of the power level you have set with the throttle stick) to let you know the voltage of the battery is close to the 6.0V minimum.

However, even before this reduction in power, if you find that more than the typical amount of throttle/ power is required to cruise or climb you should land the model and disconnect the battery immediately to prevent over-discharge.

And while it is possible to continue flying the model after the soft LVC occurs, this is NOT recommended. Continued discharging can result in reaching the 5.0V 'hard' LVC which may cause permanent damage to the LiPo battery resulting in reduced power and flight duration during subsequent flights (or failure of the battery entirely which is not covered under warranty).

Also, it is not recommended that you fly to the soft LVC every time you fly. Instead you should be aware of the power level of the battery / airplane throughout the flight, and if at any time the airplane begins to require more throttle/ power than typical to maintain cruise or climb you should land the airplane and disconnect the LiPo battery immediately.

Constantly discharging the battery to the soft LVC can still cause permanent damage to the battery so it's best to use a timer or stop -watch to time the duration of your flights and to stop flying at a reasonable time before the soft LVC is reached.

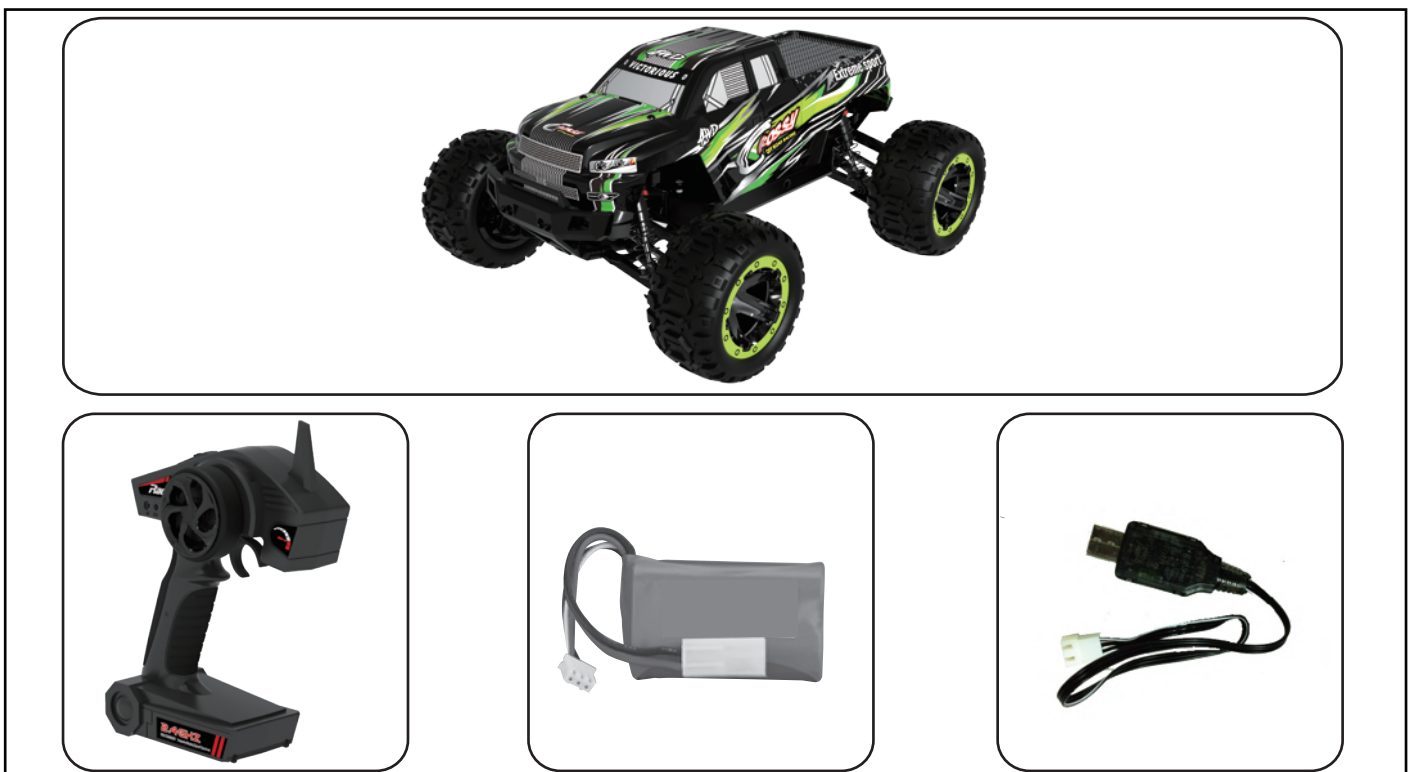
IMPORTANT NOTE: DO NOT LEAVE THE LIPO BATTERY CONNECTED TO THE ESC UNLESS YOU ARE READY TO FLY. IF THE BATTERY IS LEFT CON- NECTED TO THE ESC WHEN IT IS NOT IN USE THE LIPO BATTERY WILL BE OVER-DISCHARGED BY THE SMALL AMOUNT OF CURRENT THE ESC CONSUMES.

It can sometimes take a few hours or even up to a few days to over- discharge the battery this way but doing so will likely cause permanent damage to or failure of the battery entirely (which is not covered under warranty).

IMPORTANT NOTE: DO NOT STORE THE LIPO FLIGHT BATTERY FULLY CHARGED. For improved safety and longevity of the LiPo battery it's best to store it only partially charged for any length of time. Storing the LiPo battery at approximately 50% charged (which is approximately 3.85V per cell) is typically best, however it will take some careful management of the charge time and the use of a voltmeter to achieve this voltage.

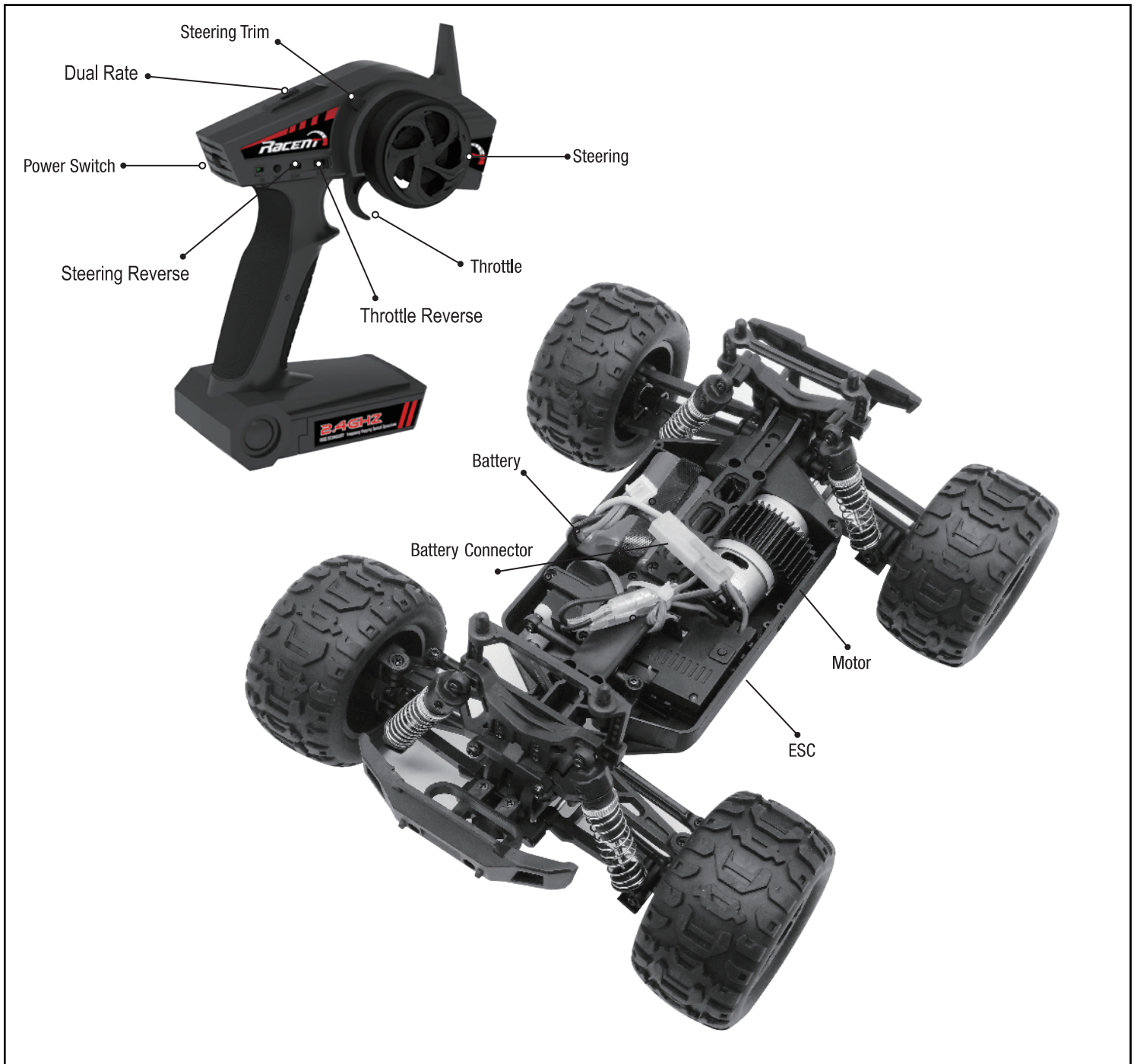
If you have the equipment and skills to achieve the 50% charge level for storage it is recommended. If not, simply be sure to not store the battery fully charged whenever possible. In fact ,as long as the battery will be stored at approximately room temperature and for no more than a few weeks before the next use, it may be best to store the battery in the discharged state after the last flight (as long as the battery was not over-discharged on the last flight).

Box Contents

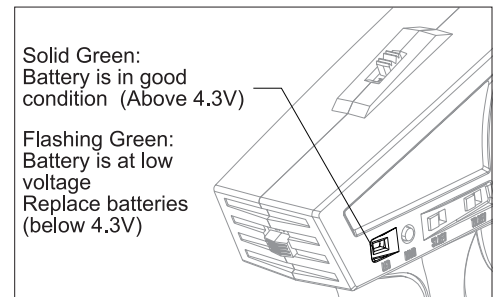
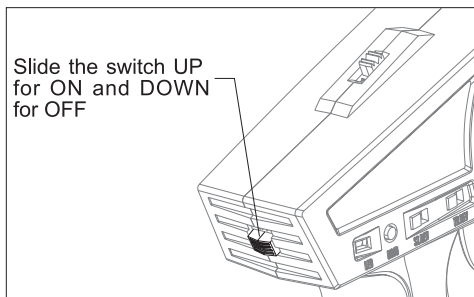
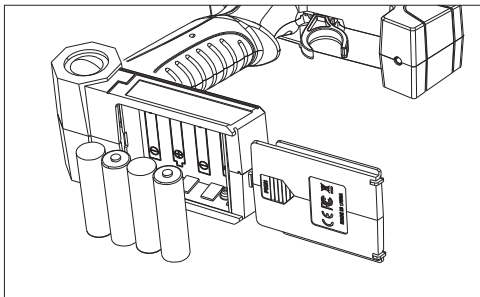


We, as the kit manufacturer, provide you with a top quality, thoroughly tested kit and instructions, but ultimately the quality and flyability of your finished model depends on how you build it; therefore, we cannot in any way guarantee the performance of your completed model, and no representations are expressed or implied as to the performance or safety of your completed model.

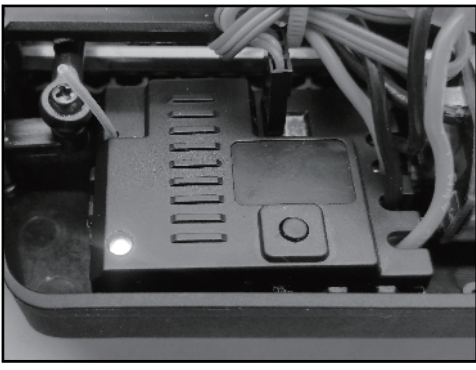
Components Details



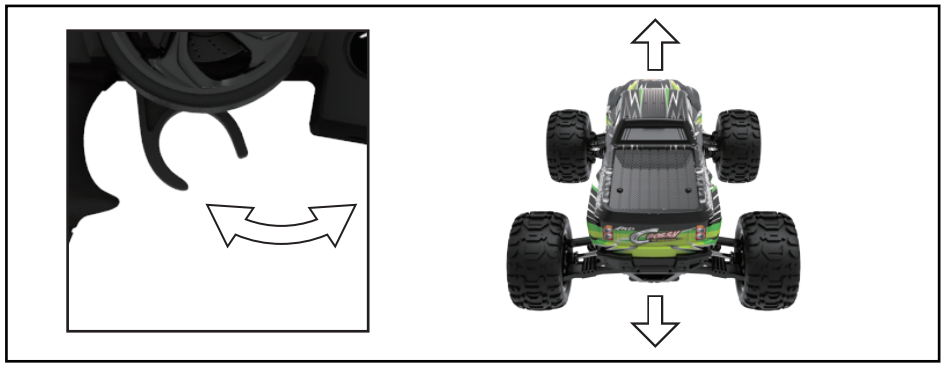
How-to-start Guide



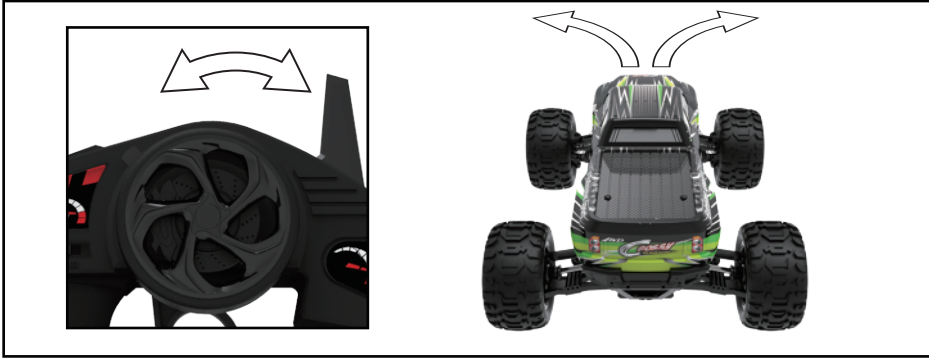
1. Put in AA batteries (not included) to the transmitter, and then turn on the power switch.



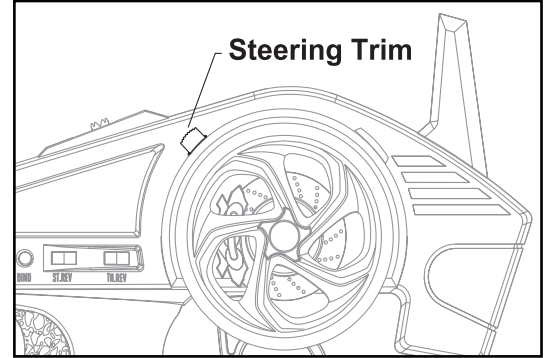
2. Switch on the power with a short press and off the power with a long press.



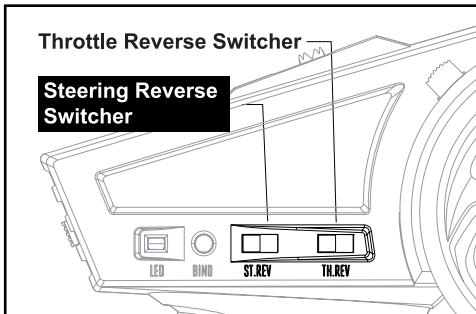
3. To slowly drive forward, pull the throttle trigger slightly. Adjust the speed by pulling the trigger. Push the trigger to brake/reverse. Release the trigger to keep your vehicle still.



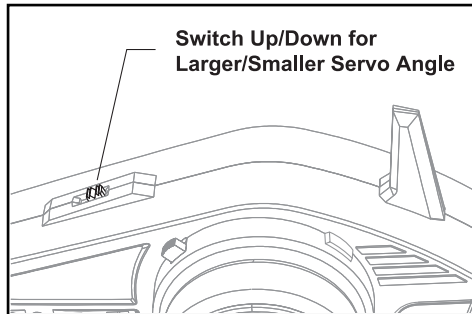
4. Rotate the wheel counter-clockwise to turn left. Rotate the wheel clockwise to turn right.



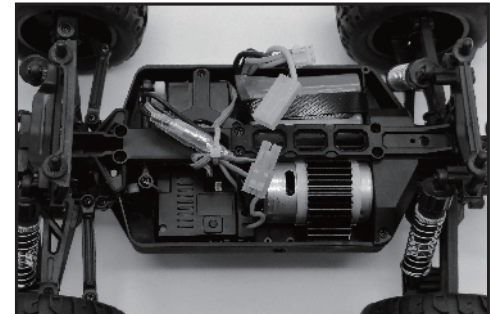
5. Use the steering trim dial to adjust the neutral position of the servo. Push the dial counter-clockwise to trim left, clockwise to trim right, until your vehicle tracks straight when steering at neutral position.



6. If the direction of travel on the rudder is opposite, slide the steering reverse switch to the other position.
WARNING: Do NOT slide the throttle reverse switch unless you completely understand this function and it is necessary to switch. Otherwise serious damage may occur.



7. Adjust the servo angle by turning the switch up or down. Turn the switch to upper position for larger servo angle. Turn the switch to lower position for smaller servo angle.



8. After you finished, turn off ESC power, then unplug battery and put in a dry safe place to cool down before you use it again.

Running Tips:

1. Run your vehicle on a flat surface, and keep your vehicle in sight.
2. Always release the throttle trigger right away following a crash to prevent further damages.
3. Do not run your vehicle in an area with people or property nearby.
4. When you finish, always turn off your transmitter AFTER your vehicle power.
5. Always keep the battery unplug when you are not attempt to run the vehicle.

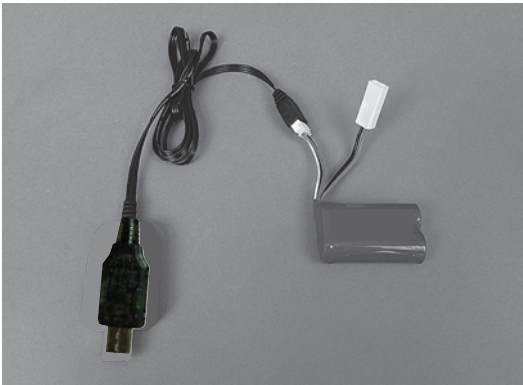
Charging Warnings

The battery charger included with your vehicle is designed to safely balance and charge the battery.

CAUTION: All instructions and warnings must be followed exactly. Mishandling of batteries can result in a fire, personal injury, and/or property damage.

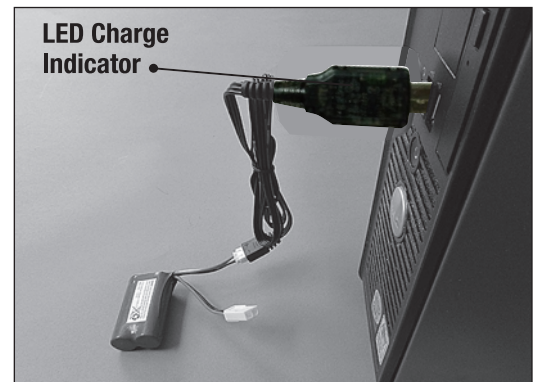
- By handling, charging or using the included battery, you assume all risks associated with lithium batteries.
- If at any time the battery begins to balloon or swell, discontinue use immediately. If charging or discharging, discontinue and disconnect. Continuing to use, charge or discharge a battery that is ballooning or swelling can result in fire.
- Always store the battery at room temperature in a dry area for best results.
- Always transport or temporarily store the battery in a temperature range of 40–120 F (5–49 C). Do not store battery or vehicle in a car or direct sunlight. If stored in a hot car, the battery can be damaged or even catch fire.
- Always charge batteries away from flammable materials.
- Always inspect the battery before charging and never charge damaged batteries.
- Always disconnect the battery after charging, and let the charger cool between charges.
- Always constantly monitor the temperature of the battery pack while charging.
- **ONLY USE A CHARGER SPECIFICALLY DESIGNED TO CHARGE BATTERIES.** Failure to charge the battery with a compatible charger may cause fire resulting in personal injury and/or property damage
- Never discharge battery cells to below 3V under load.
- Never cover warning labels with hook and loop strips.
- Never leave charging batteries unattended.
- Never charge batteries outside recommended levels.
- Never attempt to dismantle or alter the charger.
- Never allow minors to charge battery packs.
- Never charge batteries in extremely hot or cold places (recommended between 40–120°F or 5–49°C) or place in direct sunlight.

Charging Guide



1. Power off your vehicle.
2. Carefully plug the charger into the USB port on your computer or USB adapter.
3. Connect battery into the charger.

4. The charging process takes approximately 3.5 hours. For safety reasons, never charge the battery for longer than 4 hours. While charging, the red charger LED will be on. When the battery is finished, the green charger LED will be on.



EXIHOBBY

© 2016 VOLANTEXRC Co.,Ltd.