

iCreation CANADA
Unit 202, 3621 Highway 7 East, Markham ON, L3R 0G6 Canada
Tel: 416-840-6383 Fax: 416-915-4800
E-mail: info@iCreation.com
Website: www.icreation.com

Empowered by BIG Ideas



2020.10



Company Profile

iCreation Inc. is a technology innovation company of Xingtel International Inc., with its headquarters in Markham, Ontario Canada. We design, manufacture and distribute a broad range of wireless connectivity products. Our management team consists of enthusiastic entrepreneurs with management experience in the telecommunication industry for more than 27 years. iCreation covers more than 35 countries and regions.

Our core capabilities that are reflected in our product design are in electronic and mechanical design, RF design, PCB design, bluetooth communication and software development. We are dedicated to creative innovation and development of high quality telecommunication and radio frequency and bluetooth control products.

iCreation's sole manufacturer is headquartered in Xiamen, China and is a leader in a broad variety of telecommunication products. The strength of their organization assures iCreation of worldclass quality and production capacity to meet our everincreasing market requirements. Their MFi 6.0 license from Apple, gives us assurance of providing our customers with trouble free performance.

MAIN ODM/OEM CUSTOMERS BRAND



VAULT

BT-309

Transportable Audio System

Designed in Canada by Gibson



**IP67 dust proof
& waterproof**

**Long life battery with
50 hours + playtime**

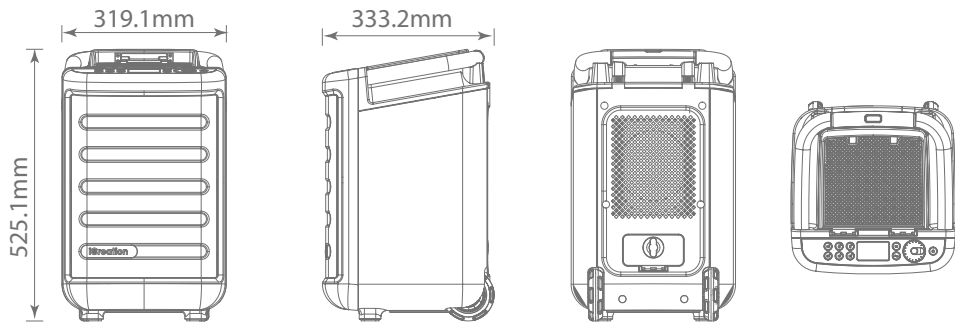
- IP67 Waterproof and Dustproof
- 8" woofer + 8" passive radiator + 3" tweeter
- 100W peak power
- Light up the party to astound your crowd with a lasting visual experience (optional).
- Long life battery with 50 hours + Playtime
- Back-lit display
- Jog wheel selection control
- Retractable handle and rugged big wheels for easy transport
- USB input port with built-in USB Player



CHANGING THE PICTURE OF SOUND



- Waterproof/Dustproof: IP67
- Woofer: 8"(203.2mm) , 4ohms / 30W
- Tweeter: 3"(76.2mm) , 4ohms / 15W
- Amplifier: Class D
- Speaker output power: 100W (peak)
- S/N Ratio: 90dB
- Frequency response: 50Hz-20KHz
- Battery: 12V 7Ah lead-acid battery
- Display: 128x64 Dots-matrix
- Bluetooth: V4.0
- Bluetooth frequency band: 2.402 – 2.480 GHz ISM spectrum
- Bluetooth range: 10m (up to 30m in open area)
- TrueWireless Stereo range: 9m between two speakers
- USB output: 5V 2.1A * 1
- FM: 87 - 108 MHz
- AM: 500 - 1710 KHz
- AC power input: 100~230V , 50/60Hz
- Fuse: glass tube (slow-blow) Φ 5.2x20mm, 250V, 1A
- Charging time: about 8 hours
- Play time: 100 hours standby, 50+ hours play time
- Storage Temperature: -40 C to 50 C
- Operating Temperature: -5 C to 35 C













GIBSON PRODUCT DESIGN



Gibson Product Design is a 3-person design office, working in high technology industrial design for over 30 years. Experienced in developing products from concept through manufacturing in a wide variety of sectors, including business, health, and consumer electronics. Gibson has a reputation for design that combines high utility with sophisticated appearance, and have helped to win more CES Innovations and Best of Innovations Awards than any other Canadian company. Based in Ottawa, Canada's primary technology center, Gibson is a full service office, carrying projects from initial strategy and concept through production CAD and documentation.

All-Terrain Bluetooth Speaker

RECOGNITION

 <p>Nov 2012 CES Las Vegas – Innovations Award Definitive Technology SubSeries iTC</p>	 <p>Nov 2012 CES Las Vegas – Best of Innovations Award WELMIRAC1</p>	 <p>Jan 2011 CES Las Vegas – Innovations Award Esoter Solar Technologies PowerBox</p>	 <p>Jan 11 CES Las Vegas – Best of Innovations Definitive Technology/HTC-S2</p>	 <p>Jan 09 CES Innovations – High Performance Audio Definitive Technology/ MY/DNA 513</p>
 <p>Jan 08 CES Las Vegas – Innovations Award Symphonix DS-0300 Bluetooth Headset</p>	 <p>Jan 07 CES Las Vegas – Innovations Award Definitive Technology MyPlex 33</p>	 <p>Aug 05 Electronic House – Best Products HTC/Carlin Technion AV Converter</p>	 <p>Jan 05 Manning Innovation Awards Terrain Communications / Safety Tube</p>	 <p>Jan 05 Design News – Best Products 21w/1D-1 subwoofer</p>



BT-143



Bluetooth v4.2



HD handsfree



>15h music playing

CLIENT SHORTLIST

- IP67 Waterproof and Dustproof
- Shock-resistant
- 15W speaker
- TWS play for a stereo sound
- Handsfree speakerphone
- Music playtime 15+ hours
- Bluetooth V4.2



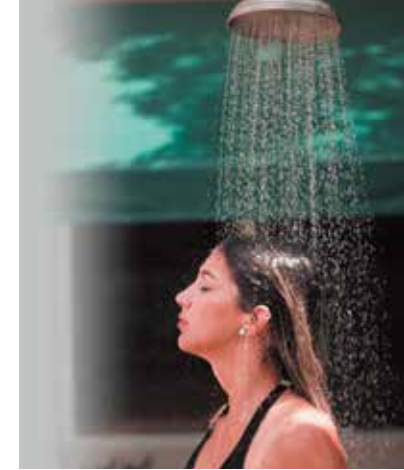
Bring the sound stage wherever you go



Bluetooth Shower Radio Speaker



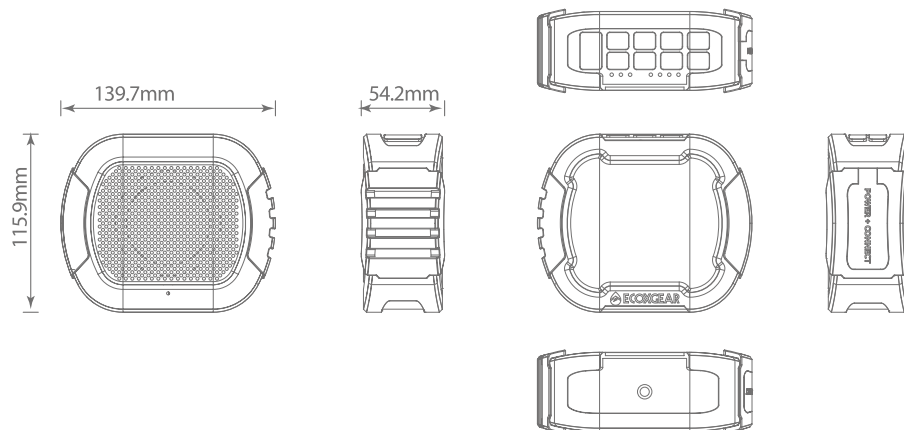
BT-318



- Bluetooth: V4.2
- Power input: Micro USB charging input jack
- Audio input: Bluetooth and 3.5mm Aux in
- Speaker: 15W
- Battery: Lithium battery, 2600mAh, 3.7V
- Length: 147.7 mm
- Width: 155.1 mm
- Height: 124.1 mm
- Weight: 480g



IP67 Waterproof – Play Hard! Rain or Shine

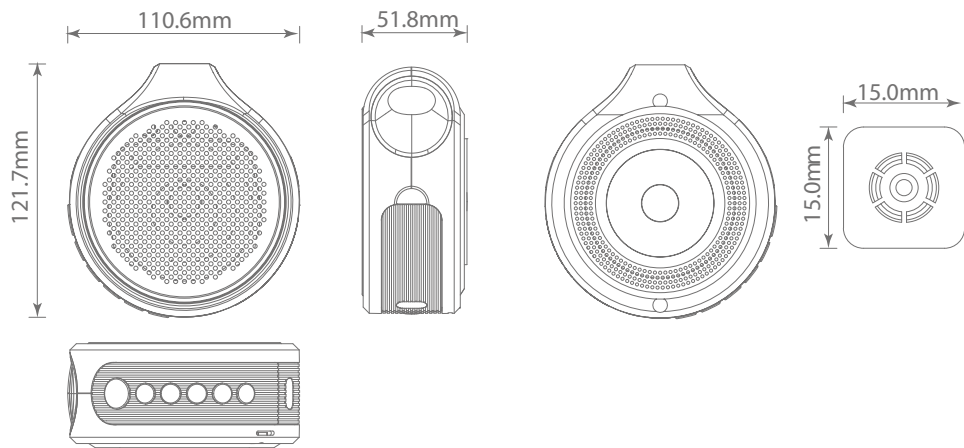


- IP67 Waterproof and Dustproof
- Build-in MIC for phone calls
- FM radio
- Music playtime 15+ hours
- 15W powerful speaker
- TWS play for a stereo sound
- Straps for showers
- Aux In jack

Make shower time the best it can be and never miss a call



- Bluetooth: V4.2
- Operating distance: 10m
- Power: Lithium battery, 2600mAh
- Waterproof: IP67
- Speaker: 15W
- Length: 121.7mm
- Width: 111.5mm
- Height: 50.5mm
- Weight: 370g



Waterproof Lantern Speaker

BT-146



Light up the night!

- IP55 Waterproof and Dustproof
- 400 lumens brightness
- 15W speaker
- 360° light patterns
- 3200 mAh lithium battery
- TWS pairing for stereo performance



Your perfect companion for outdoor activities
Relax and Enjoy



BT-306



PLAY IT LOUD!

100W total power for booming sound.

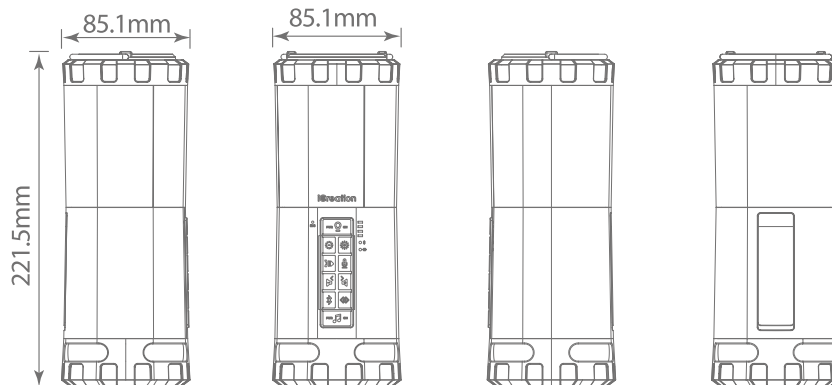
EcoBoulder

- Bluetooth: V4.2
- Width: 85.1mm
- Height: 221.5mm
- Weight: 600g
- Power input: Micro USB charging input jack
- Power output: USB Type A device charge output jack
- Speaker: 15W
- Battery: 3.7V 3200mAh, Lithium battery



Rugged & Waterproof.

IP67 waterproof, floating, & rugged drop-proof design.



- Retractable Handle for Easy Transport
- LED Display for Easy Viewing in Sunlight
- Back-lit Buttons for Night Viewing
- Anti-Corrosive Metal Grill
- Secure Cradle for Tablet or Phone
- Protective Rubber Pad for Mobile Devices
- Rugged Handles for Lifting
- Waterproof Compartment to keep Phone Safe, Dry, and Charged
- Heavy Textured Finish for Ultimate Protection



100 WATTS
PEAK POWER



50+ HOURS
OF PLAYTIME



Perfect for tailgating, backyard parties, beach, workshops, restaurant patios, and more



PLAY IT LOUD!

EcoBoulder+

BT-308

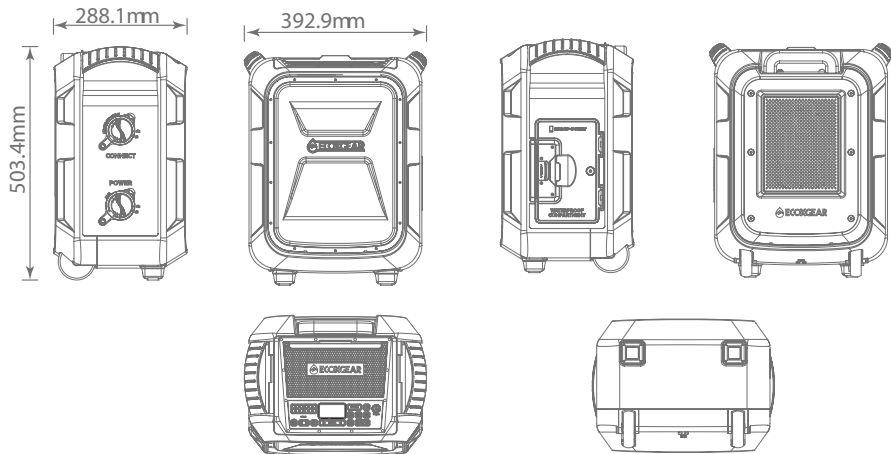


- Audio Equalizer Control
- EcoTalk button for easy Voice Assistant (Siri and OK Google) activation

- Length: 288.1mm
- Width: 392.9mm
- Height: 503.4mm
- Weight: 12.25kgs
- Dual 5V USB out 2.1A / 1A
- 110-230V, 50-60Hz AC IN
- 2 – Aux In (3.5mm)
- Mic In (6.5mm)
- SLA Rechargeable Battery
- Over 50 hours playtime
- Fully re-charges in 7-8 hours



Bottle Opener & Dual Cup Holders



- Retractable Handle for Easy Transport
- LED Display for Easy Viewing in Sunlight
- Back-lit Buttons for Night Viewing
- Anti-Corrosive Metal Grill
- Secure Cradle for Tablet or Phone
- Protective Rubber Pad for Mobile Devices
- Rugged Handles for Lifting
- Waterproof Compartment to keep Phone Safe, Dry, and Charged
- Heavy Textured Finish for Ultimate Protection





Carry Handles
& Retractable
Long Pull Handle



EcoBoulder^{MAX} Waterproof Speaker



BT-322

IP67 Waterproof - Rough & Tough!

- Length: 288.4mm
- Width: 393.1mm
- Height: 503.6mm
- Weight: 12.25kgs
- Dual 5V USB out 2.1A / 1A
- 110-230V, 50-60Hz AC IN
- 2 - Aux In (3.5mm)
- Mic In (6.5mm)
- SLA Rechargeable Battery
- Over 50 hours playtime
- Fully re-charges in 7-8 hours

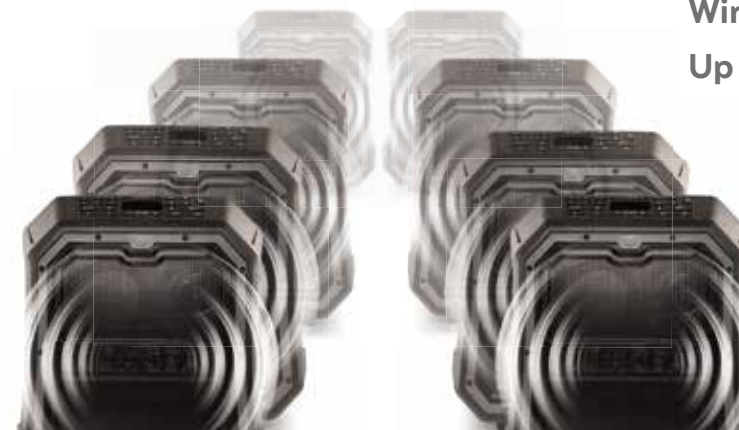
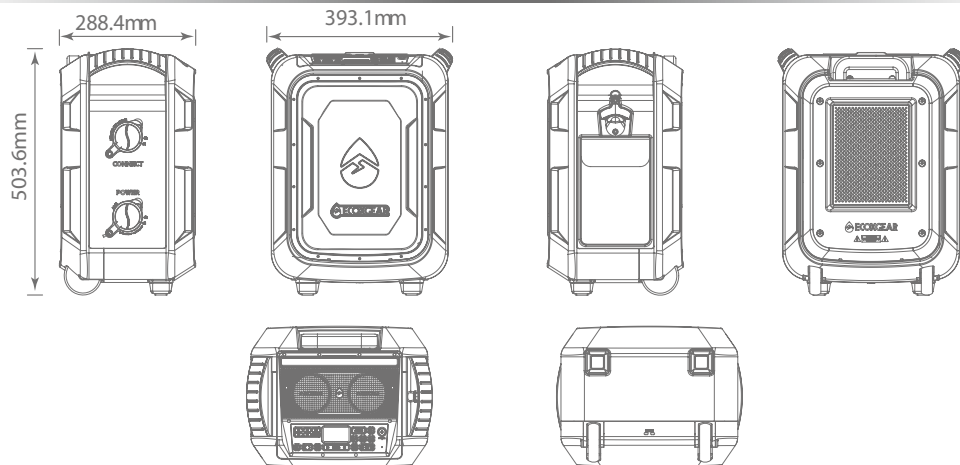


100FT
Long Range
Bluetooth
Connectivity



Qi Wireless Charging Pad

Wireless Qi charging pad for easy
smartphone recharging.
for IOS and Android smartphones



Wirelessly Connect
Up to **50** Units



120W Max Booming Sound & Party Lights!
Great for BBQ's, Water Fun, Camping and more.



ECOTREK STEREO Bluetooth® Speaker

BT-307

- IP67 100% waterproof and dustproof.
- Drop the EcoBoulder Max in your pool, lake or ocean, no worries – it floats.
- 120-watts dynamic power amplifier for massive sound.
- 3-way speaker system w/ 8" full range main driver + 3" Tweeter + Oval passive subwoofer.
- Tune the audio output to match your listening preference with 5 preset equalizer sound profiles.
- 50+ hours playing time
- Bluetooth 5.0 connection
- Digital AM/FM radio
- RGB party lights.
- Wireless Qi compatible charging pad.
- USB charging port.
- EcoCast Pair up to 50 EcoBoulder Max 's together to be completely immersed sound experience.
- Oversized rugged wheels and telescoping handle for easy transport.

**Bluetooth® AUX IN
AM/FM STEREO**

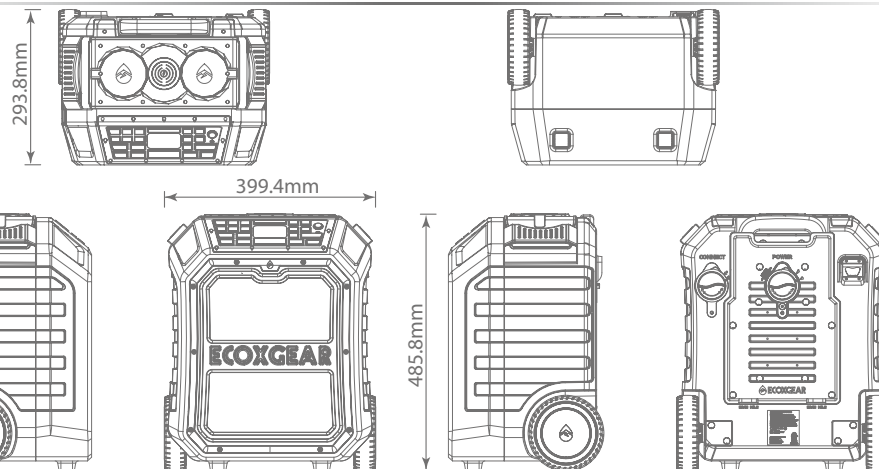
**WIRELESSLY STREAM
MUSIC VIA BLUETOOTH®**

CONNECT MUSIC PLAYER
WITH AUX-IN CABLE

**LISTEN TO
AM/FM STATIONS**



**2 CUP
HOLDERS**



Charge Out

Charge a smartphone / tablet

Aux in

Wired audio connection

Mic in

For PA & Karaoke

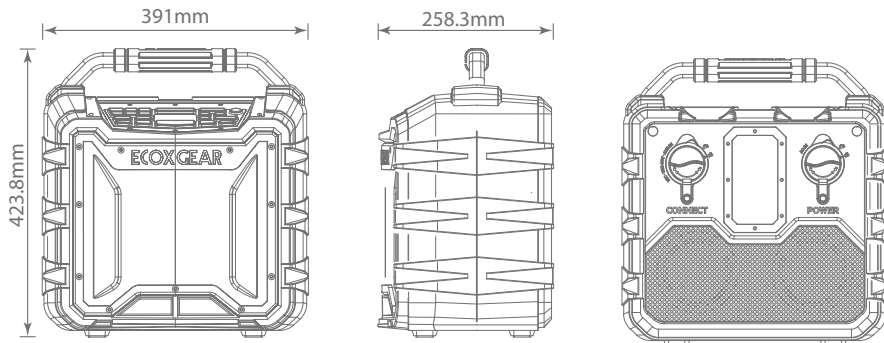
Subwoofers



WIRELESSLY CONNECT 2 UNITS FOR 200 WATTS OF SOUND



- 100% waterproof and dustproof. Meets IP67 standards
- Drop the EcoTrek in your pool, lake or ocean, no worries – it floats
- 100-watts dynamic power amplifier for massive sound
- 5 preset Equalizer settings for optimized sound profile
- 6-ways speaker system with 2* 5.25" full range + 2* 5.25" passive woofer + 2* 2.5" tweeter
- Play on standard AC wall power for continuous play, or up to 50+hrs on the rechargeable battery
- Digital AM/FM radio with 6 preset
- Built-in Mic/Speakerphone
- EcoTalk button for easy voice assistant (Siri and OK Google) activation
- 5V USB port for portable device charging
- Back-lit buttons and large LED display for night viewing
- Wireless pairing of two speakers using EcoConnect



Waterproof Case + Bluetooth® Speaker

IP67 Waterproof

Don't worry about dropping the EcoExtreme 2 into a swimming pool, lake, or the ocean, It's IP67 waterproof, submersible, and it floats!

BT-337



15W SPEAKER

PLAY YOUR TUNES WITH **BIG, CLEAR SOUND & 15 HRS OF PLAY TIME.**



STORE YOUR STUFF

HOLDS AN XL PHONE, KEYS & MORE.
KEEPS THEM **CLEAN & DRY** IN 30 CUBIC INCHES OF **WATERPROOF STORAGE.**

15 Hr
Battery Life



Rugged Waterproof Lantern Speaker

Ecolantern
BT-141



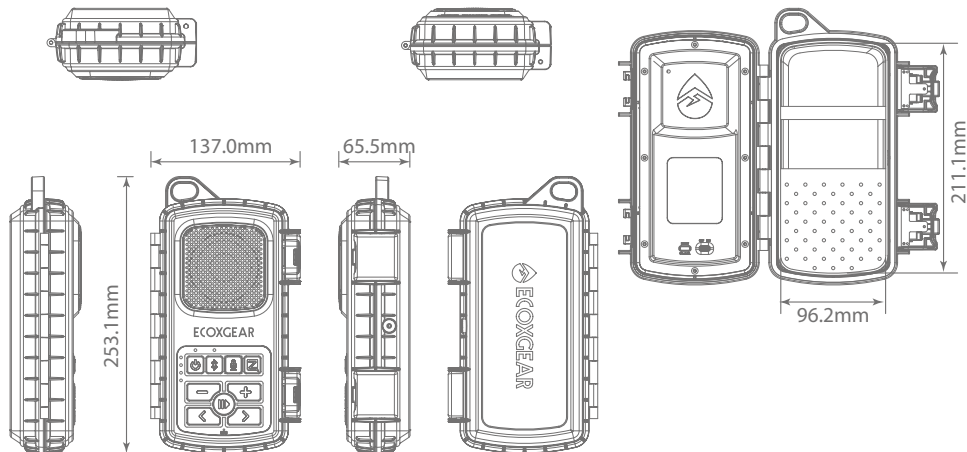
- IP67 Waterproof, shock resistant, sand proof. It even floats!
- 30 cubic inches of waterproof dry storage for phone, key fob, and credit cards
- Big sound & long playtime packed into a slim, rugged, and portable package
- Integrated music controls: Volume, play/pause, FWD, and back buttons
- Built in microphone: provides speakerphone function, Siri / Ok Google integration
- Integrated rechargeable lithium battery: 15 hours of playtime
- Loud full range 15W Max speaker
- Walkie talkie feature integration with Zello app installed on your smartphone
- Bluetooth 5.0 streams audio wirelessly from your phone while inside the Extreme 2 or use it as a standalone speaker and stream audio from any Bluetooth enable device up to 100 feet away

Emergency Mode

Bright flashing white and red light to attract attention in emergency situations.

Party Light Mode

Two multi-colored party light modes - Fun music synced mode and relaxing color changing mode.



- IP67 Waterproof / Shock Resistant
- 400 Lumens max brightness
- Loud 5W speaker with 360° sound
- White, Red, Party, and Emergency light modes
- 4400 mAh Mobile Charging
- Fast Charging USB Out Port (2.1A)
- 180° of 360° Light patterns with 5 brightness settings
- Siri and OK Google compatible
- EcoConnect compatible - pair two units together for stereo sound

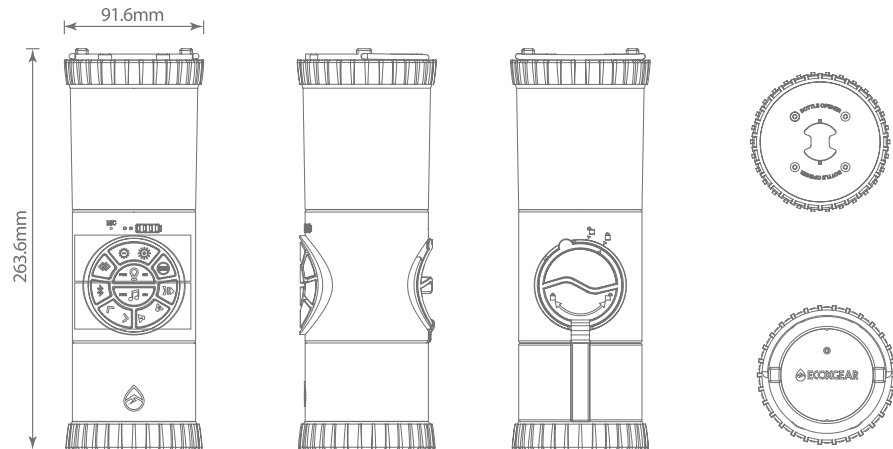


360° Sound + Light

Proprietary sound cone creates rich sound quality in every direction. In addition, the bright 400 lumen warm white light produces a full 360° light pattern.



- Width: 91.6mm
- Height: 263.6mm
- Weight: 0.73kg
- Micro USB charging input jack
- USB Type A device charge output jack
- Powered by Rechargeable Built-in Lithium Battery
- Includes rapid charge AC charge Adapter
- Battery size: 4400mAh, 3.7V



EMERGENCY Jump Starter + XL-9160



Complete Jump Start Kit



Rechargeable Battery



Dual Fast Charge Ports



Safety Features



Shock Resistant



Hazard Lights & Flashlight

BLE
BLUETOOTH LOW ENERGY

Bluetooth Low Energy



Waterproof & Dustproof

App connected

Enhance your experience with the ECOXGEAR mobile app. Your smartphone (Android and iOS) monitors the battery level of the EcoJump charger and sends notification messages when the battery levels are low. Additional features include access to performance levels of EcoJump Battery and temperature level, customized notifications, step by step guide to jump starting your car and online access to user manual



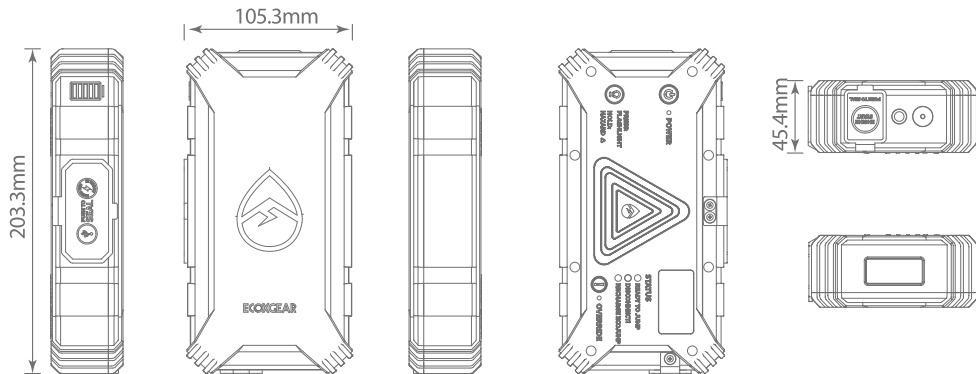
- IP67 Waterproof / Shock Resistant
- 50+ Jump Starts per Charge
- 600 Peak Amps – 6.0 Liter Gas & Diesel Engines. Car, Truck, Boat, Motorcycles
- 200 Lumen Flashlight & Strobging Hazard
- 15,000 mAh Mobile Charging
- 5 step LED battery Gauge
- 2 Fast Charging USB Out Ports (2.1A x 2)
- Super Safe Mistake Proof design with Reverse Polarity Notification & Spark Protection
- Override option for very low voltage situations.
- iOS/Android App to monitor wireless charge status notification via Bluetooth



BLE
BLUETOOTH LOW ENERGY



- Length: 105.3mm
- Width: 203.3mm
- Height: 45.4mm
- Weight: 0.77kg
- Micro USB charging input jack
- 2x USB Type A device charge output jack
- Custom high-current 12V jump start output jack
- Powered by Rechargeable Built-in Lithium Battery
- Charging time approx. 7 hrs
- Charging estimates for USB devices
- Tablet – 100% x 1+
- Smartphone – 100% x 3+
- Digital Camera – 100% x 10+
- Jump start standard car engine 50+ times
- Jump start V8 truck engine multiple times



10-Year WATERPROOF EMERGENCY POWER

for
iPhone® & Android
Mobile Devices

EcoBoost XL-9165



Up to **4 hrs** boost
of talk time.

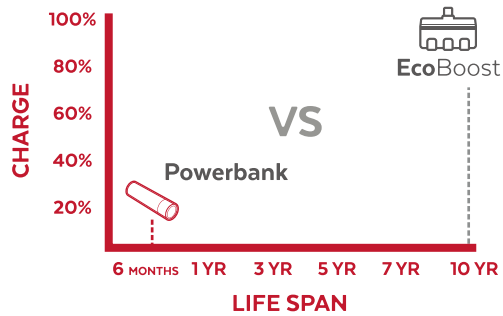


- IP67 Waterproof and Dustproof
- Retains full charge for over 10 years
- 1500mAh capacity primary lithium CR123 battery
- Integrated connector - 3 versions: Lightning; micro USB; USB-C
- Replaceable battery (use any CR123)



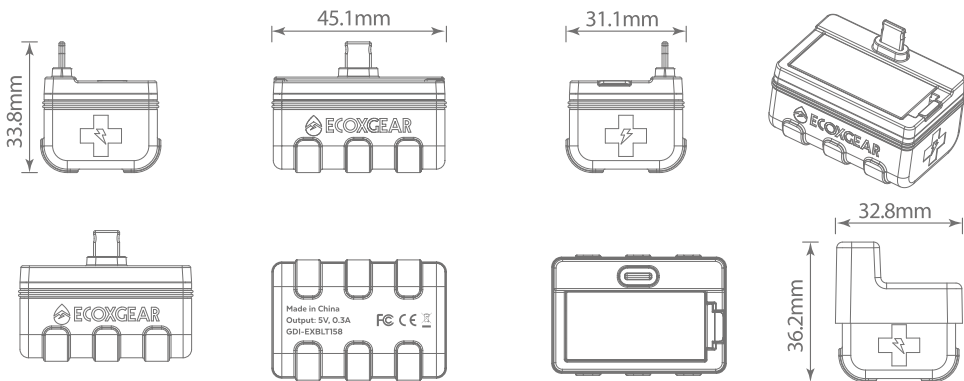


One time use
with **replaceable**
CR123 Battery.



Charge Retention: EcoBoost vs Powerbank

- Length: 45.1mm
- Width: 31.1mm
- Height: 33.8mm
- Weight: 60g
- Lightning Connector
- Micro USB Connector
- USB-C Connector
- CR123 Lithium Battery 1500 mAh
- Emergency Boost 5V 500mA



Your One Stop Solution for Smart Home



An integrated smart home solution built with you in mind



By using app and mobile devices, you are able to easily control, monitor and schedule connected devices anytime from anywhere.

Add a little smartness to your things

Make traditional single or multiple lights into an intelligent lighting system.
Create different scenes for better control.



Voice command with your mobile devices



"Hey Siri, turn off the light"

Ask the intelligent personal assistant on your mobile devices for voice control, totally handsfree.

Smart Power Strip

Waterproof Smart Power Strip

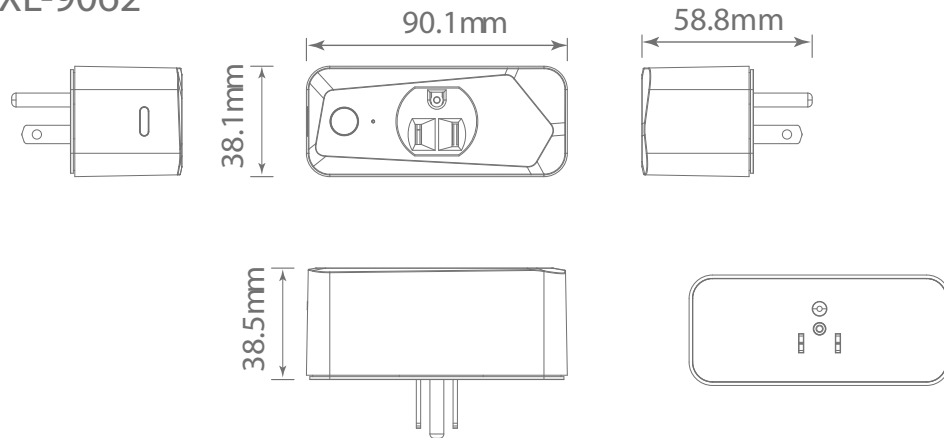


ID-1904A



ID-1904B

XL-9062

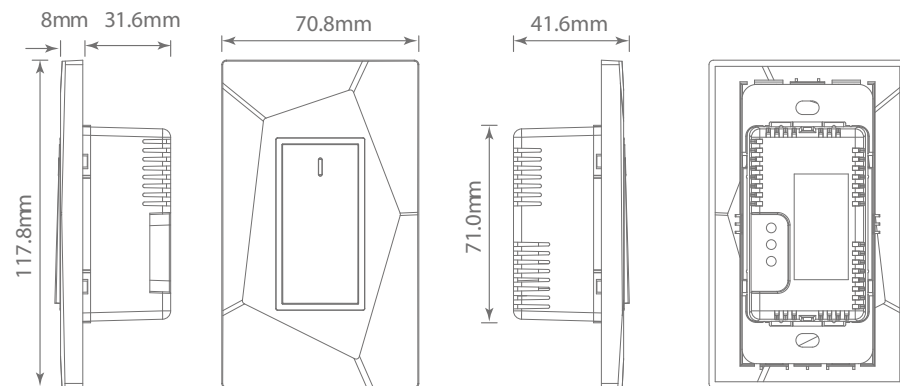


Safe and Weatherproof Design



- Timer and Schedule
- Surge Protection
- Voice Control
- Control from Anywhere
- IP55 Waterproof

XL-9176



Control from Anywhere





Wi-Fi Video Doorbell

The New Face of Smart Home



CL-3297B



Live View 24/7 Monitor

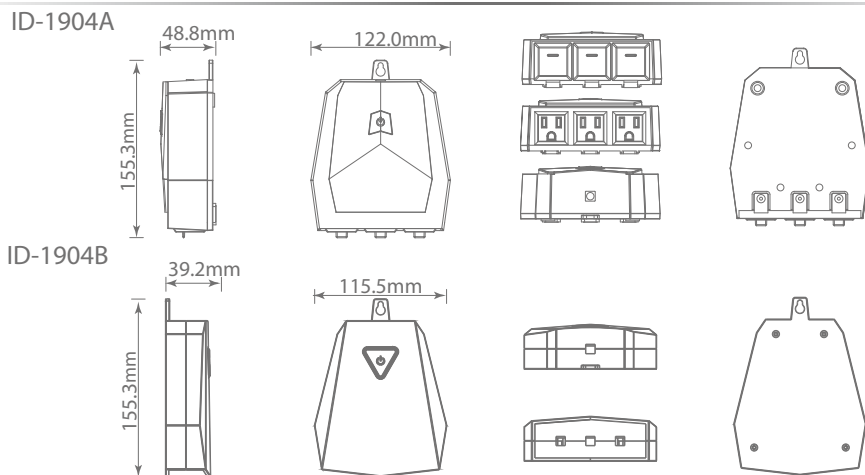


Cloud and Local Storage

- 3 AC outputs with separate control
- IP55 waterproof, perfect for outdoor appliances.
- Reliable Surge Protector & Overload Protection
- Set Schedule & Timer with APP Control, iOS and Android APP available.
- Voice Control - Compatible with Alexa, Google Home Assistant and IFTTT
- Rugged and durable housing
- Space-saving design
- Rated Power: 1250W-10A Max, 125V
- AC Input: AC 100-240V 50-60Hz

Improved User Experience

Ultra large button makes the task as simple as a mouse click. Users simply have to apply a gentle press or flex on the elbow to actuate the button.



Never miss your visitor

The Wi-Fi doorbell is the smart video doorbell that allows you to answer your door with smartphones anytime anywhere



- Easy to Install
- FHD Video
- 140° Ultra Wide Angle
- Motion Detection
- Night Vision
- Photo/Video Recording
- Two-Way Communication
- Cloud Service
- Up to 128GB Local Storage
- Work with iOS & Android

Your Personal Gatekeeper to a Connected Home



Wire-Free Video Doorbell

On guard rain and shine, IP55 weather resistant

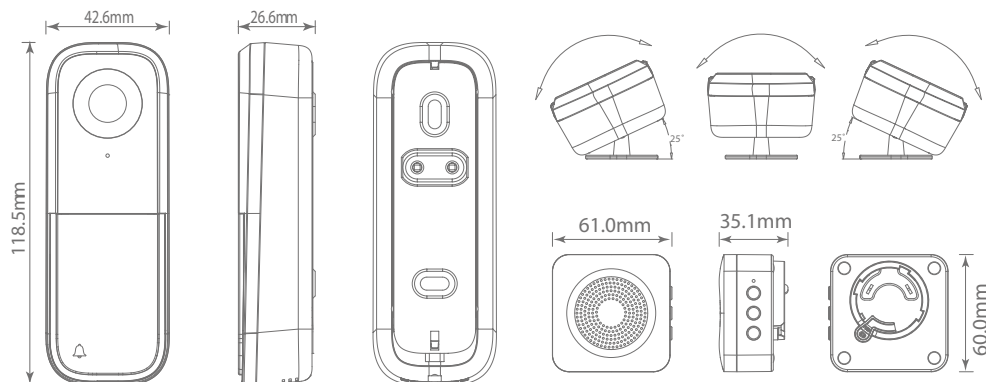


ID-1901

Specifications

- Motion sensors
- Cloud and local storage (support TF card upto 128G)
- Wall mount bracket for multi-angle adjust
- IP55 dustproof and waterproof
- Wireless indoor chime (optional)
- Resolution: HD 1920*1080, Balanced 640*360, Smooth 640*360
- Focus: f=2.96mm F/N = 2.4
- Audio input/output: Built-in two way audio and Microphone
- Inferred: 6pcs IR LEDs for night veiw
- APP for smart phone: IOS & Android
- Angle of view: 140° horizontal
- Wireless Security: WEP, WPA, WPA2
- Power specication : AC 10-24V
- Wi-Fi Protocol: Wi-Fi/802, 11b/g/n
- Wi-Fi Distance: 100m outdoor, 50m indoor
- Operating Temperature: -20°C~ 50°C
- Operating Humidity: 0% ~ 95%RH

100% wire-free installation, plug and play





Wi-Fi Video Doorbell

Secure, Reliable, Hassle-free
You personal door butler

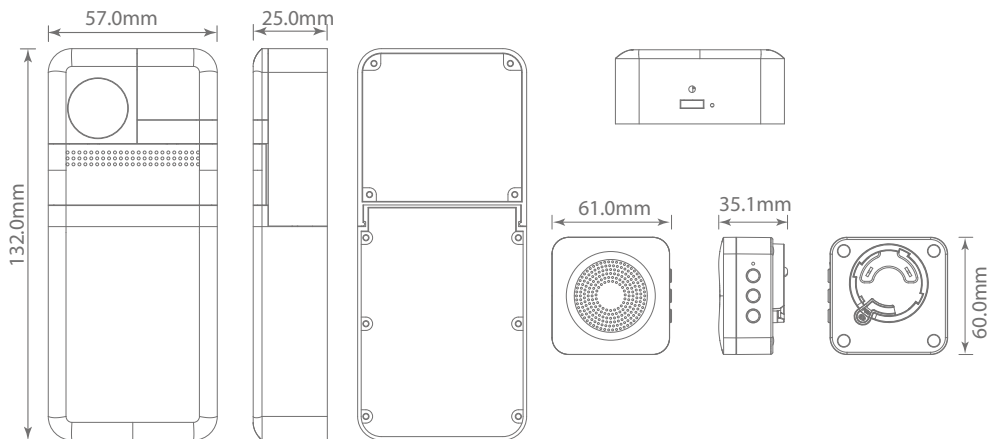


CL-3239

- Full duplex two-way audio
- 130° wide angle
- PIR sensor
- Infrared Night Vision
- Support up to 128G SD card
- Standby time 10 months
- Working time 3 months (10 times per day)
- 6000mAh rechargeable battery pack or connect to power supply
- IOS & Android APP available
- Optional indoor chime

Use smartphone to remotely access your video doorbell

Never miss your visitor



Know the Knock

The Wi-Fi doorbell is the smart video doorbell that allows you to answer your door with smartphones anytime anywhere



See who's at your door from your mobile device.



Outdoor Surveillance Camera

Your First Line Home Security

ID-1903



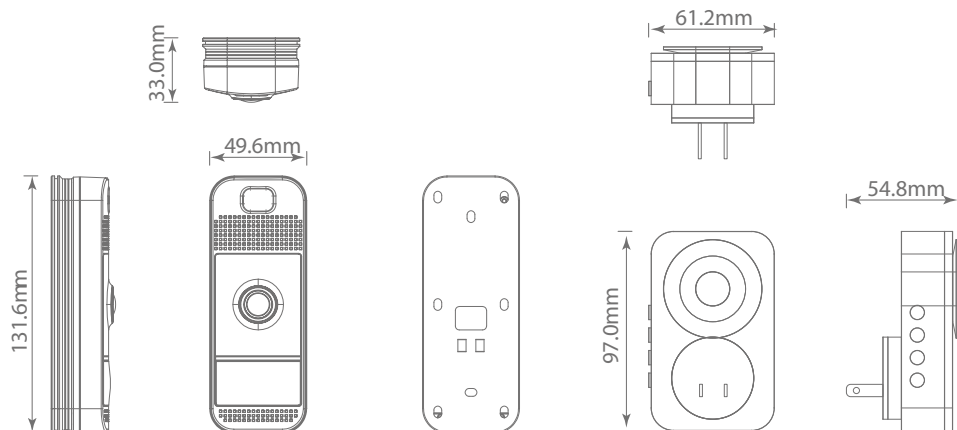
Specifications

- AGC: Automatic
- White Balance: Automatic
- Resolution: HD, 1280*720; Balanced: 640*360; smooth: 320*180;
- Focus: f=1.3mm F/N = 2.5
- Audio input/output: Built-in two way audio and Microphone
- Infrared: 8pcs IR LEDs
- APP for smart phone: iOS, Android
- Angle of view: 170° horizontal
- Wireless Security: WEP, WPA, WPA2

- Power specification : AC 10-24V, DC 10-36V
- Wi-Fi Protocol: Wi-Fi/802, 11b/g/n
- Wi-Fi Distance: Outdoor: 100m, indoor 50m
- Operating Temperature: -20°C ~ 50°C
- Operating Humidity: 0% ~ 95%RH



- Adjust Angle: Tilt: -10°~75°; Pan: 0°~355°
- Water proof: IP65
- Sensor Type: 1/3" CMOS
- Pixel: 2Mega
- Min illuminance: Color 0.01Lux@F1.2Black and White 0.001Lux@F1.2"
- Lens: 4.0mm F2.0
- Shutter: 1/25~1/100,000 per second
- IR: High power LED with ICR
- IR distance: 10m
- WDR: Digital WDR
- Video compression standard: H.264
- Bit rate: 32Kbps~2Mbps
- Max picture size: 1920 × 1080
- Frame Rate 1~25 per second
- Audio: Two-way audio
- Storage Support: SD card(Max 128G)、NVR、 Cloud storage
- Intelligence: Support motion detect
- Working temperature -20°C ~55°C



Your Smart Home Guardian



- Cloud and Local Storage
- Pan/Tilt
- Night Vision
- IP65
- Wide Angle
- V3 CMOS
- 2* way Audio
- Motion Detection

Indoor Surveillance Camera



Keep An Eye On What Matters Most.

ID-1902



- Sensor Type: 1/3" CMOS
- Pixel: 2Mega
- Min illuminance: Color 0.01Lux@F1.2Black and White 0.001Lux@F1.2"
- Lens: 4mm F2.0
- Shutter: 1/25~1/100,000 per second
- IR: High power LED with ICR
- IR distance: 10m
- WDR: Digital WDR
- Video compression standard: H.264
- Bit rate: 32Kbps~2Mbps
- Max picture size: 1920 × 1080
- Frame Rate 1~25 per second
- Audio: Two-way audio
- Storage Support: SD card(Max 128G)、NVR、 Cloud storage
- Intelligence: Support motion detect
- Working temperature:-20°C ~55°C

Facial Recognition Doorlock



XL-9201



No keys? No problem.

- Features facial and palm print recognition, RFID and Smart Pin Code for secure access
- Designed to fit on most standard doors
- Accommodates conventional deadbolt with a sleek sliding LCD display
- Integrated with one button locking feature



Always Home.



Wide Angle



Night Vision



Motion Detection



Compression



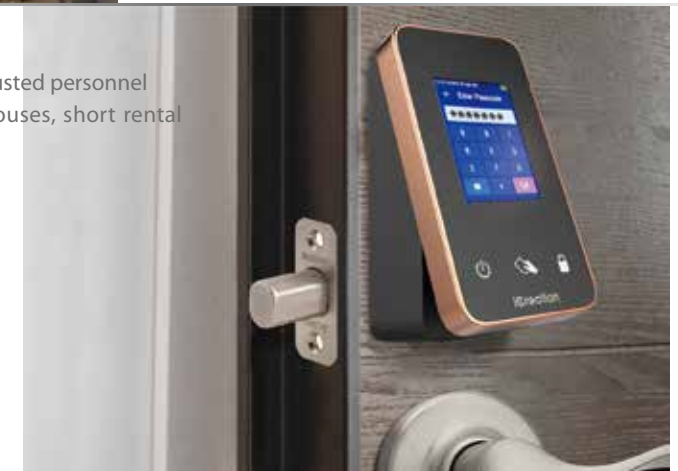
2* way Audio



Cloud and Local Storage



- Share temporary access to trusted personnel
- Ideal for offices, vacation houses, short rental homes and everyday use



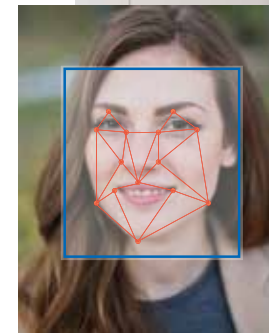


Simple & Safe
All personal data save to local storage

Facial Recognition Doorlock

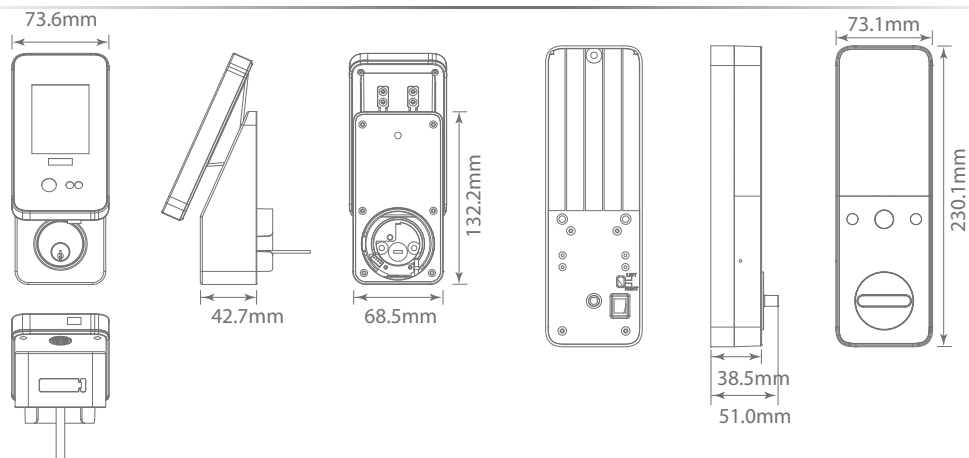


XL-9192



- Authorized face ID, Palm ID, PIN and ID card to open the door
- Face ID storage: 105(100 users + 5 admins)
- Palm ID storage: 105
- PIN storage: 105
- ID card storage: 105
- Powered by AA batteries *8 PCS
- Smart power saving design, more than 8,000+ times facial recognition unlock
- Can be unlocked using the backup mechanical keys
- Installs in minutes with just a screwdriver, no new screw holes and hard wiring needed.
- Suitable for most doors - metal, wood or phenolic
- Reversible design, works on doors with left or right hinges
- All data are securely stored in local storage

- when only one or few staffs have the key
- when the key keeper is absent
- VIP or member access only



- When both hands are full after grocery shopping
- When you lost or forgot to bring your key
- When you want to give access to trusted family members, relatives, friends or personnel (e.g. deliverymen, real estate agents, housekeeper)



The future is now.
Let's FACE it.

Control is at your fingertip

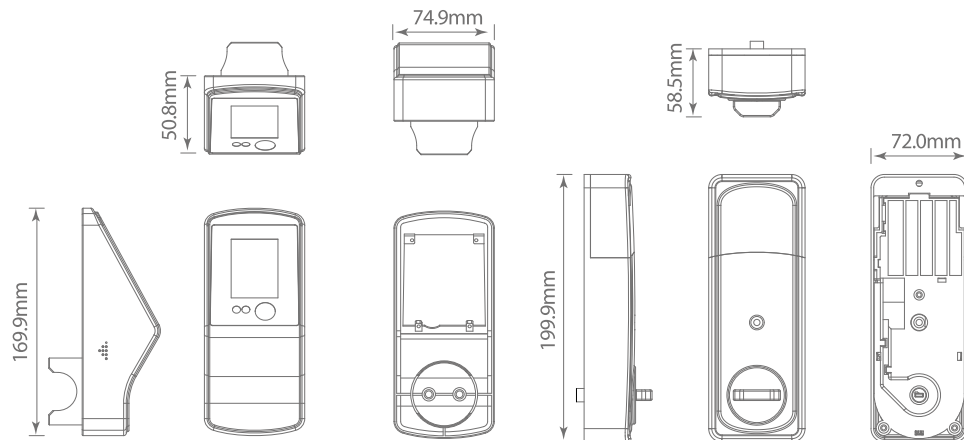
Fingerprints Padlock



XL-9076

- Authorized face ID, PIN and ID card to open the door
- Face ID storage: 105(100 users + 5 admins)
- PIN storage: 105
- ID card storage: 105
- Powered by AA batteries *8 PCS
- Smart power saving design, more than 8,000+ times facial recognition unlock
- With traditional mechanical keys
- Installs in minutes with just a screwdriver, no new screw holes and hard wiring needed.

Pop-up automatically for better unlocking experience
Magnetic charging port with enhanced reliability



More User-friendly Design
Rounded corner design to reduce the size and weight
Enhanced fingerprint recognition
Built-in rechargeable lithium battery

Fingerprint Smart Lock



Control is at your fingertip

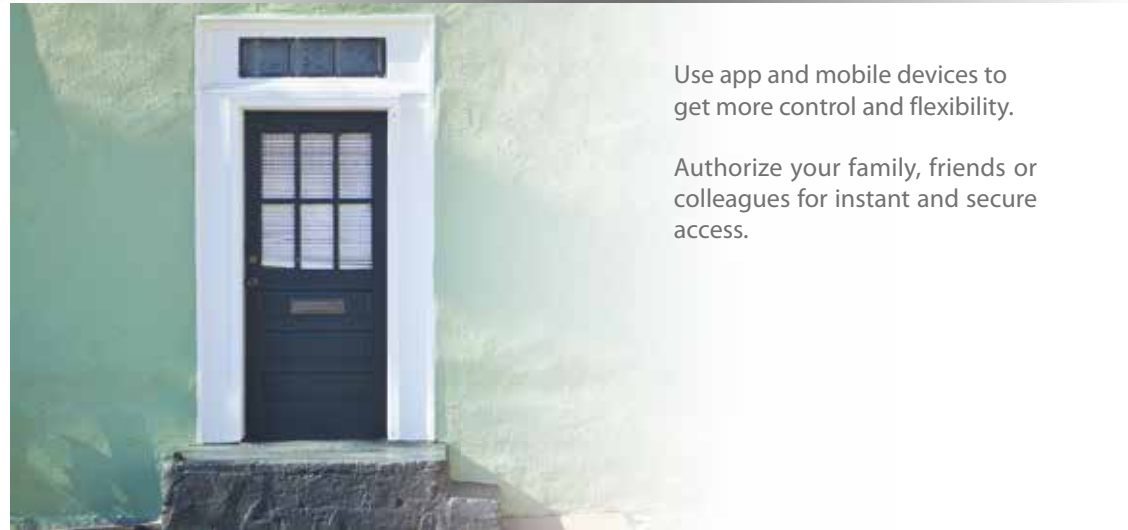
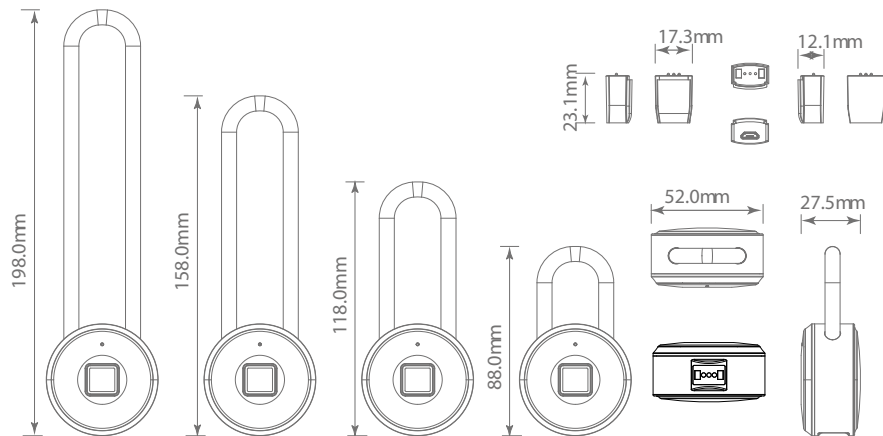
XL-9063



- Use app and mobile devices for remote control
- Fast Fingerprint unlocking, just need 1 second
- Rounded corner design to reduce the size and weight
- Built-in rechargeable lithium battery
- Smart power-saving standby mode, standby up to 1 year
- Magnetic charging port with better reliability
- Remotely share temporary access code
- Low battery alerts
- Backup USB-Key is integrated with magnet charging
- High quality metallic body construction for enhanced security and durability
- Compact design fits most locker
- Pop-up automatically for better unlocking experience
- Up to 50 fingerprints can be recorded

Your mobile devices & your fingerprints are your keys now.

No need to worry about losing keys or forgetting combinations. Use your mobile devices and fingerprints to unlock efficiently. Ideal for storage lockers, bike locks, vacation rental property and real estate showing.



Use app and mobile devices to get more control and flexibility.

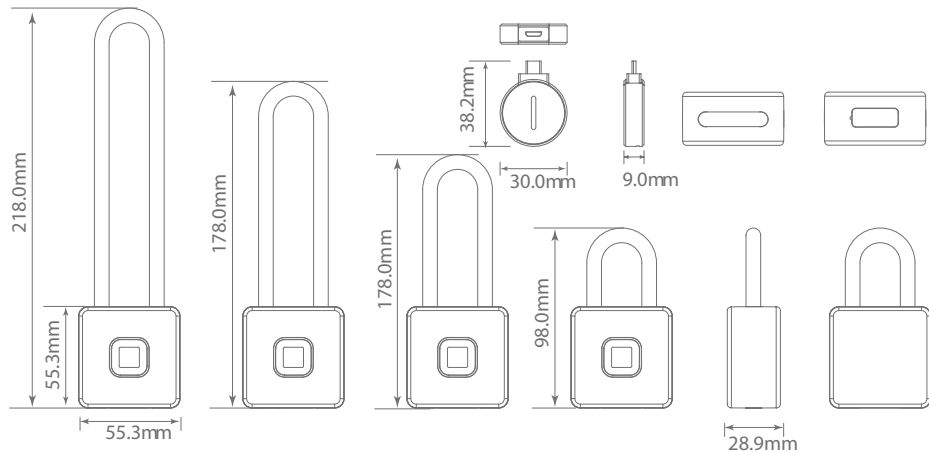
Authorize your family, friends or colleagues for instant and secure access.

Secure and Durable



Strong metallic body construction with waterproof design.
Enhanced security and durability in the toughest environments

- Use app and mobile devices for remote control
- Fast fingerprint unlocking, just need 1 seconds
- Smart power-saving standby mode, standby up to 1 year
- Remotely share temporary access code
- Low battery alerts
- Support backup battery
- High quality metallic body construction for enhanced security and durability
- Compact design fits most lockers
- Up to 50 fingerprints can be recorded



PIR Thermo-Hygrometer Switch

Solar Powered PIR Light Switch with Indoor/Outdoor Temperature and Humidity Display



XL-9195

First to Know. Does Before You Ask

- An all-in-one motion, light, temperature and humidity sensor.
- IP55 Waterproof and Dustproof.
- Long and stable working range up to 50m/160ft.
- Compatible with standard light switch, DIY installation with minimal configuration.
- Screen display shows indoor and outdoor temperature and humidity.
- High Efficiency Solar Panel & Energy Saving design, up to 30 days working time w/o Sunlight.
- High quality battery that lasts up to 8 years.
- Designed for controlling common area fixtures such as lights in entryways, hallways, porches, patios and landscape lighting



Solar Powered

Illuminate Your Journey Home

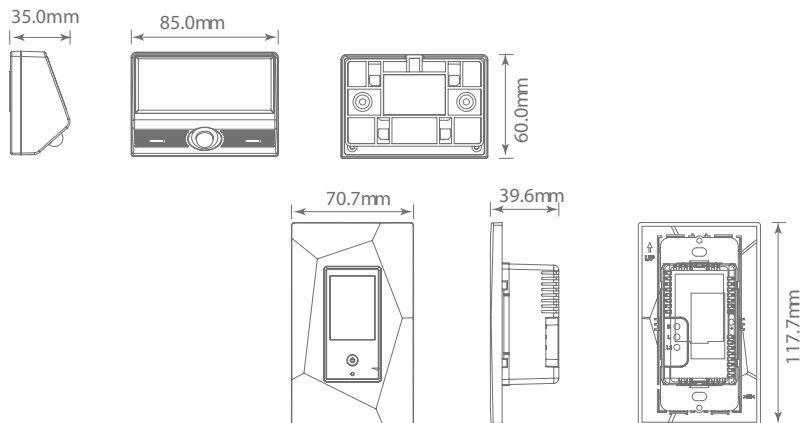


Adapt to Daylight Savings and Conserve Energy



Specifications:

- 433 MHz transmission frequency..
- Temperature range: -40°F~176°F (-40~80 C).
- Humidity range: 0% ~ 100%.RH
- Temperature tolerance: $\pm 1.8^{\circ}\text{F}$ ($\pm 0.1^{\circ}\text{C}$).
- Humidity tolerance: $\pm 2\%$ RH



Bookshelf Speaker

Enjoy karaoke at home

BT-319



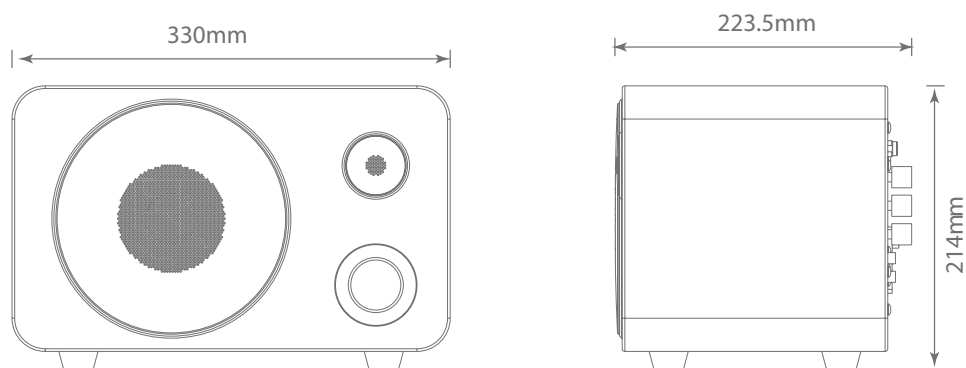
Creating Joy Through Music



Bring Your Heart's Voice Out!



- Sound System: 6.5" Full Range Speaker + 1" Tweeter
- Output power: 50W
- Peak power: 200W
- TWS: True Wireless Stereo
- Karaoke
- 2 Wireless Mics Included
- Line In
- Echo Control
- Bluetooth 4.0
- R. Frequency: 20Hz-20KHz
- S/N: ≥ 80 dB
- Input Type: RCA x 2
- Input Sensitivity: 350 ± 50 mV
- Power: 100/240V
- Size: 330 x 200 x 220 mm
- Item Weight: 5.5kgs



Motorized TV Mount Bracket



Features:

- Motorized TV mount supports both manual and remote angle adjustment
- Up to 170-degree horizontal swivel angel
- Features smart auto-saving function to lock your TV in the perfect viewing angle
- Heavy duty steel construction supports TV screens up to 45KGs
- Universal TV FIT: Fits TVs from 32 to 70 inches
- Space-saving design
- Integrated with built-in anti-collision system to prevent TV/wall damage
- Includes cable management labels to keep your wires organized
- Designed to accommodate most VESA patterns, compatible with major TV brands including LG, Sony, Samsung and others

Enjoy your TV Viewing

Experience to the Fullest



Perfect for home, school, office and many others.



X8/X8L One way swivel motor



RL20/RL21 Two way swivel motor

