

## LED Strip Light Fixture



### Product Description

Eagle Star LED strip light fixtures to use less energy and last longer than their fluorescent counterparts. Most are designed with integrated LEDs so there is no need to replace lamps, lowering maintenance costs. Another benefit is that many fixtures can be mounted in continuous rows, allowing you to cover larger areas. This strip light can be used in hospitals, offices, warehouses, schools, etc.



- Voltage 100-277V AC
- Light Efficiency 135lm/w
- Lifespan above 50,000 hours
- Qualified with CE, RoHS, cETL, ETL, DLC
- UL approved driver & PHILIPS LEDs
- Warranty:5 years
- IP 44
- Dimming is available with 0-10v
- Sealed fixture is dirt and bug free
- Microwave motion sensor available
- For single or continuous row mounting
- Ambient temperature from -30°C to 50°C

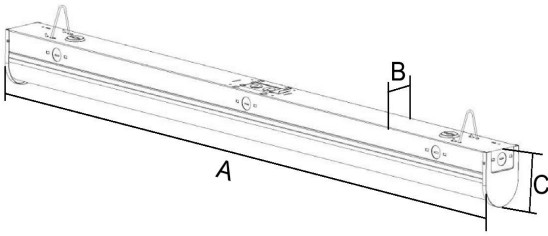
### Product Parameters

| Input Power         | 36W                                  | 40W         | 68W         |
|---------------------|--------------------------------------|-------------|-------------|
| LED Chips           | PHILIPS LEDs                         |             |             |
| Initial Lumens      | 4,860lm                              | 5,400lm     | 9,180lm     |
| Efficacy            | 135lm/w                              | 135lm/w     | 135lm/w     |
| CRI                 | > 80Ra                               |             |             |
| CCT                 | 5000k                                |             |             |
| Length              | 4ft                                  | 4ft         | 8ft         |
| Input Voltage       | 100-277V AC 50Hz/60Hz                |             |             |
| Working Temperature | -30°C Up to 50°C (-22°F up to 122°F) |             |             |
| Certification       | CE, RoHS, cETL, ETL, DLC             |             |             |
| Warranty            | 5 years                              |             |             |
| Carton/Pieces       | 16                                   | 6           | 4           |
| G.W                 | 28.8kg                               | 16.8kg      | 18.5kg      |
| Carton Size         | 132*33*27cm                          | 126*44*34cm | 248*21*23cm |

Free Shipping from CA NY TX Warehouses in the USA. Email: [info@eaglestarled.com](mailto:info@eaglestarled.com).

<https://eaglestarled.com/collections/led-strip-light-fixture>

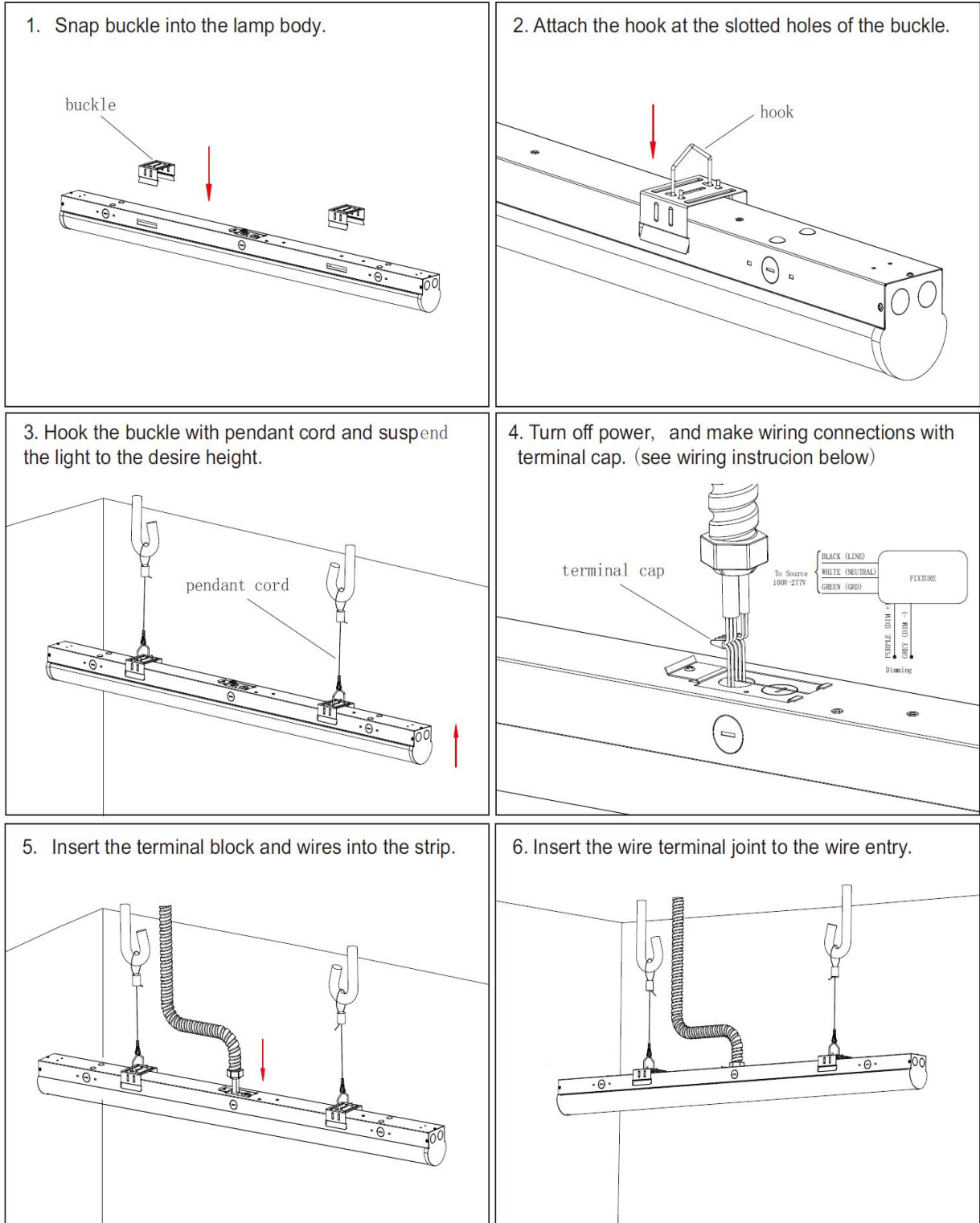
## Dimensions



| Item | L(inch) | W(inch) | H(inch) |
|------|---------|---------|---------|
| 36W  | 48"     | 3.3"    | 3.5"    |
| 40W  | 48"     | 3.3"    | 3.5"    |
| 68W  | 96"     | 3.3"    | 3.5"    |

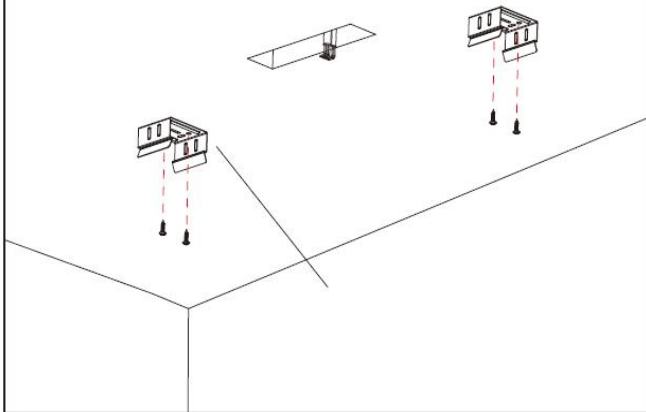
## Installation

### Chain Installation

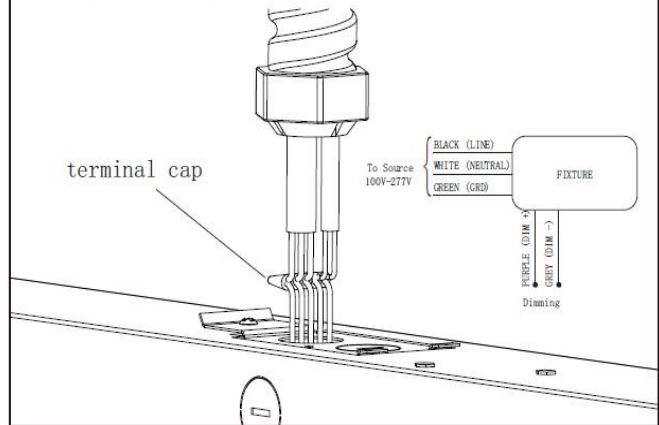


## Surface Mounted Installation

1. fix the buckles in parallel by screws with distance 641mm between each other.

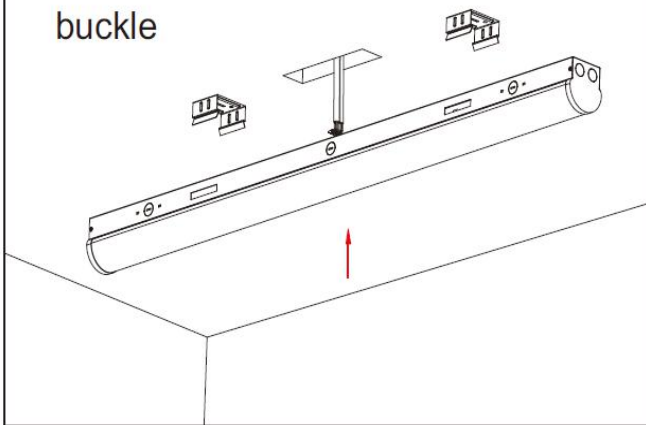


2. Turn off power, and make wiring connections with terminal cap. (see wiring instruction below).



3. Secure the strip with buckle.

buckle



4. Installation completed.

