

Solar Landscape Post Top Light

Product Description

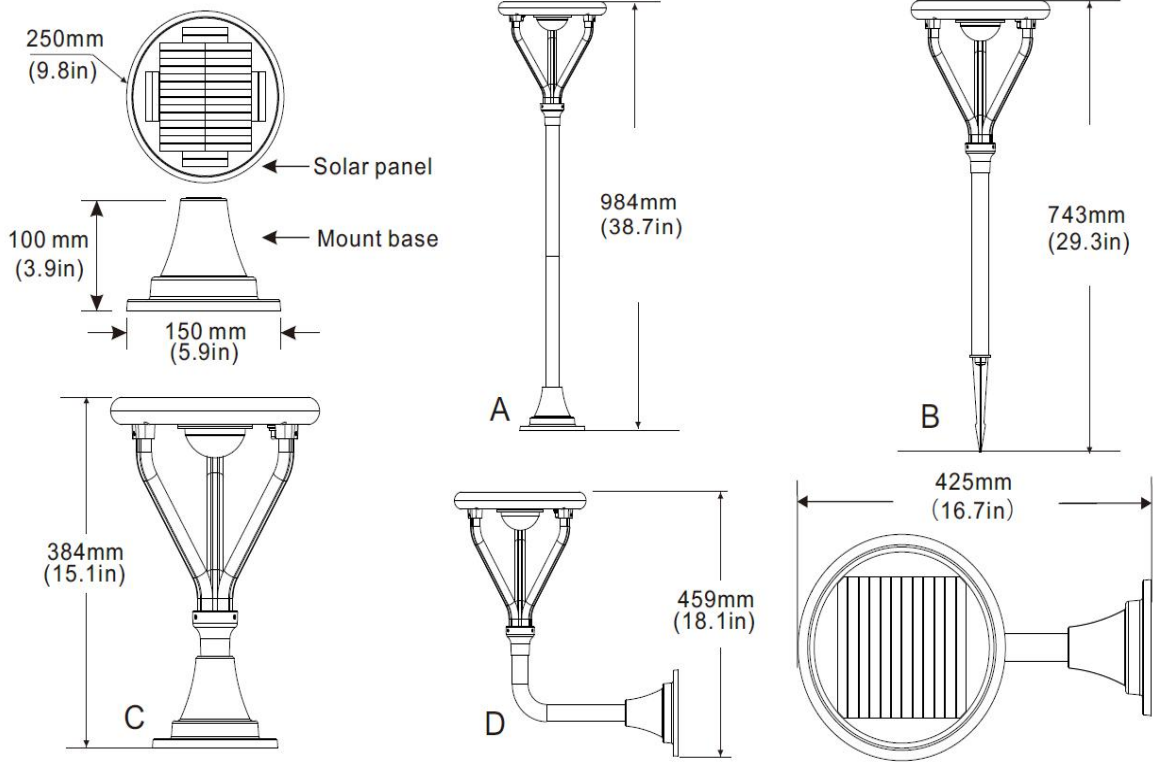
Eagle Star LED Solar LED Landscape Post Top light is a cost-effective method to lighten up the dark pathways, garden, yard, or outdoors of your house. Apart from that, they also enhance the security surrounding your project. They use sunlight as a power source so you don't have to spend money on its maintenance. Most of them have light sensors that will automatically turn on at dusk and turn off at dawn.



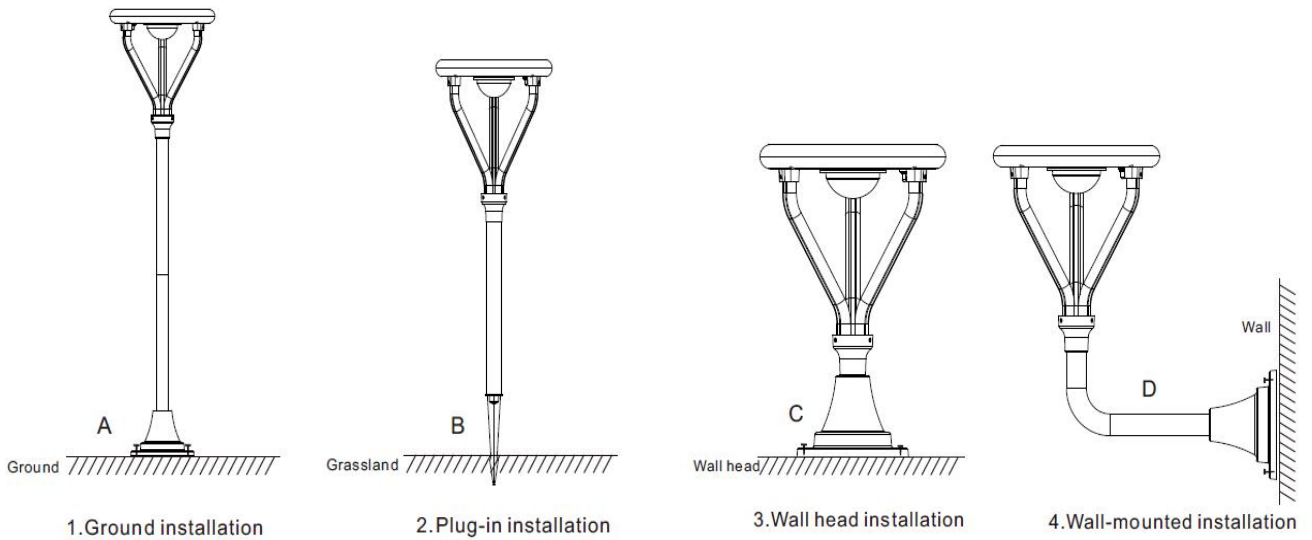
Product Parameters

Rated Power	5W	10W
Solar Panel Power	6V 4W	6V 4W
Light Efficacy	160lm/w	100lm/w
Initial Lumens	800lm	1,000lm
Beam Angle	120°	
CRI	> 75Ra	
CCT	5000k	
Charging Time	9-10 hours (sunlight enough)	
Working Time	3~5 rainy days	
Working Temperature	-25°C~60°C	
Body Material	Aluminium	
Warranty	3 years	
Carton/Pieces	1	1
G.W	2.4kg	2.4kg
Carton Size	32*30*19 cm	32*30*19 cm

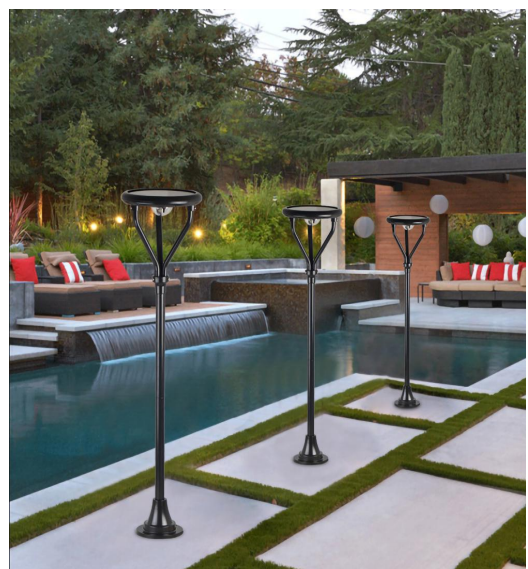
Product Dimensions



Installation



Application



Free Shipping from CA NY TX Warehouses in the USA. Email: info@eaglestarled.com.