

LED UFO High Bay Light



Product Description

Eagle Star LED UFO styled LED High Bay Light Fixtures look like a UFO flying ship, which makes them more futuristic and full of the feeling of high-tech. These LED high bay fixtures come in four models, which can replace 250W to 1000W Metal Halide Lamp. Beam angle is 120°, which is ideal for warehouse, garage, workshop, gymnasium, parking place etc. The starting time is less than 0.5 s in -40°C.



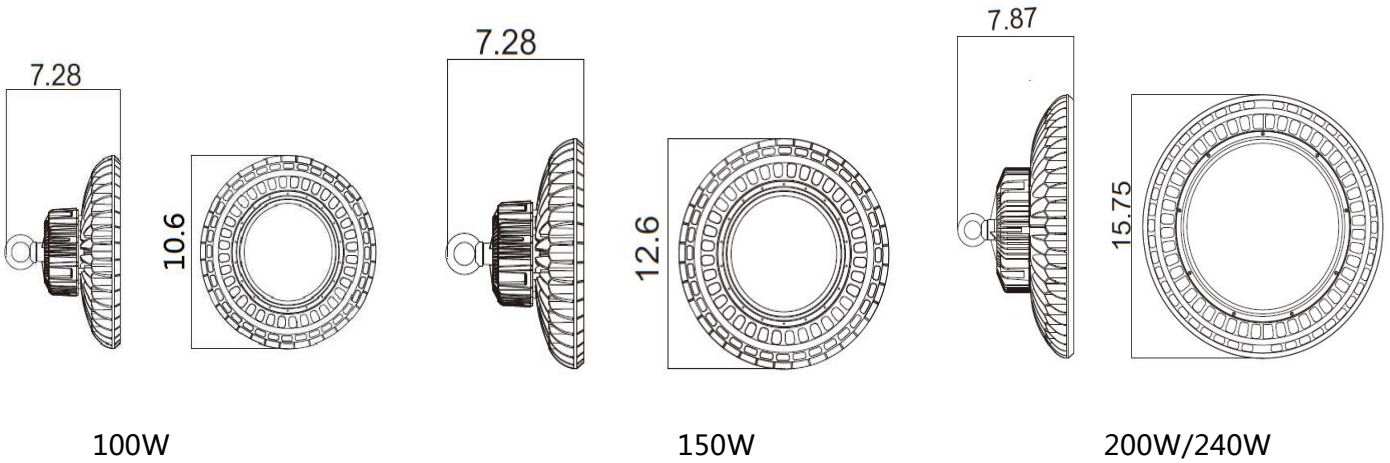
- Voltage 100-277V & 200-480V
- Light Efficiency 160lm/w
- Lifespan above 50,000 hours
- Qualified with CE, RoHS, cETL, ETL, DLC
- Sosen LED driver & PHILIPS LEDS
- 5 years warranty
- IP 65
- Die-casted aluminum housing is polyester powder coated to be rust and corrosion proof
- High efficiency, energy saving, eco-friendly
- Sealed fixture is dirt and bug free
- PIR and motion sensor available
- Ambient temperature from -40°C to 50°C

Product Parameters

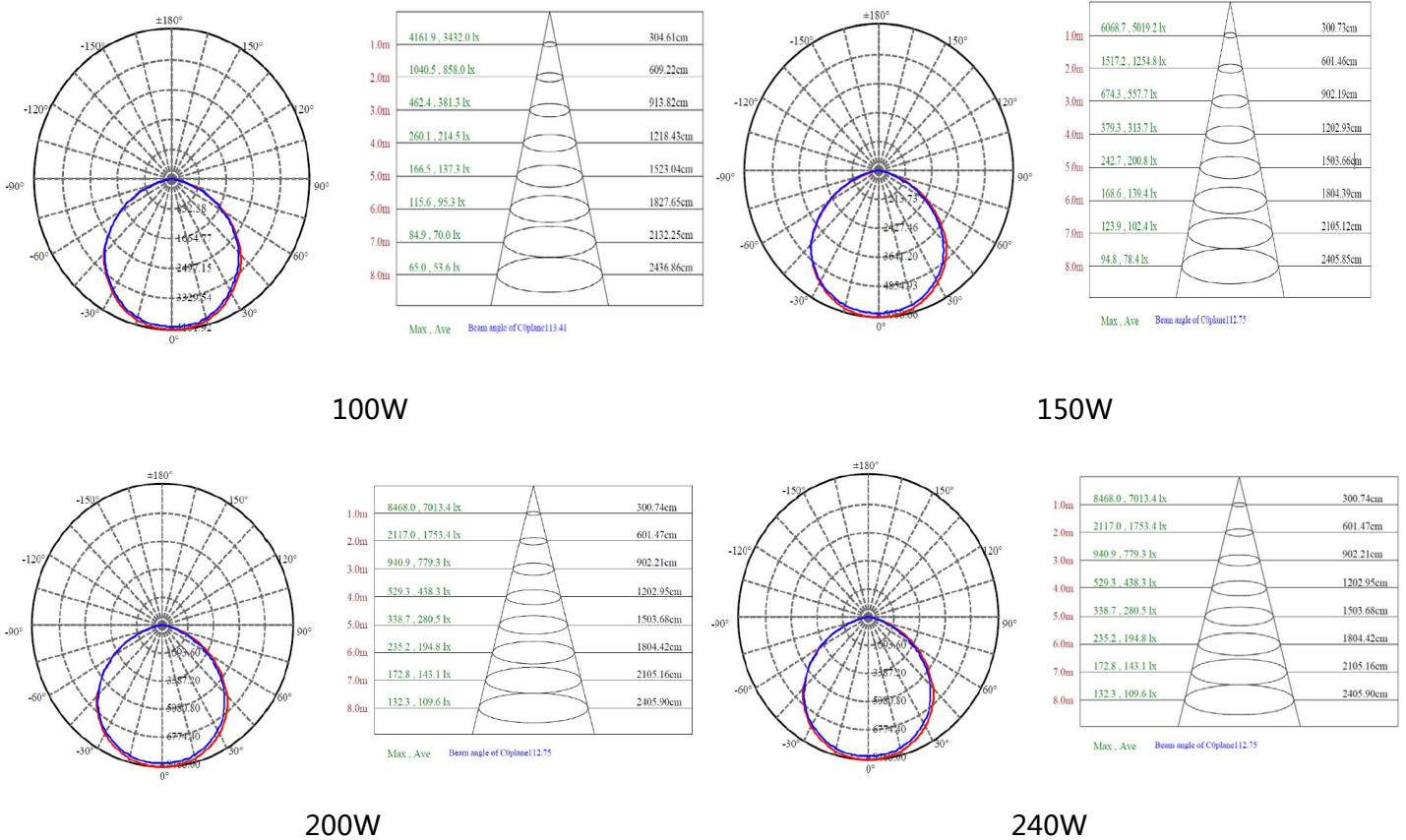
Input Power	100W	150W	200W	240W
LED Chips	PHILIPS LEDS			
Lumens	16,000lm	24,000lm	32,000lm	38,400lm
Efficacy	160lm/w	160lm/w	160lm/w	160lm/w
CRI	> 80Ra			
CCT	4000k/5000k/5700k			
Beam angle	120°			
Input Voltage	100-277V/200-480V AC			
Working Temperature	-40°C Up to 50°C (-40°F up to 122°F)			
Certification	CE, RoHS, cETL, ETL, DLC premium			
Warranty	5 years			
Replacement	250W MH	480W MH	750W MH	1000W MH
Carton/Pieces	1	1	1	1
G.W	4.5kg	4.7kg	5.8kg	6.2kg
Carton Size	38*38*20cm	38*38*20cm	45*45*25cm	45*45*25cm

Goods are shipped from CA NY TX Warehouses in the USA. Email: info@eaglestarled.com.
<https://eaglestarled.com/collections/led-ufo-high-bay-light>

Dimensions



Photometrics



UL approved driver or Sensen LED driver

Motion sensor

American design, high quality aluminum die-casting shell never fade cracking prevention

SMD LEDs High efficiency Brighter luminance longer lifespan