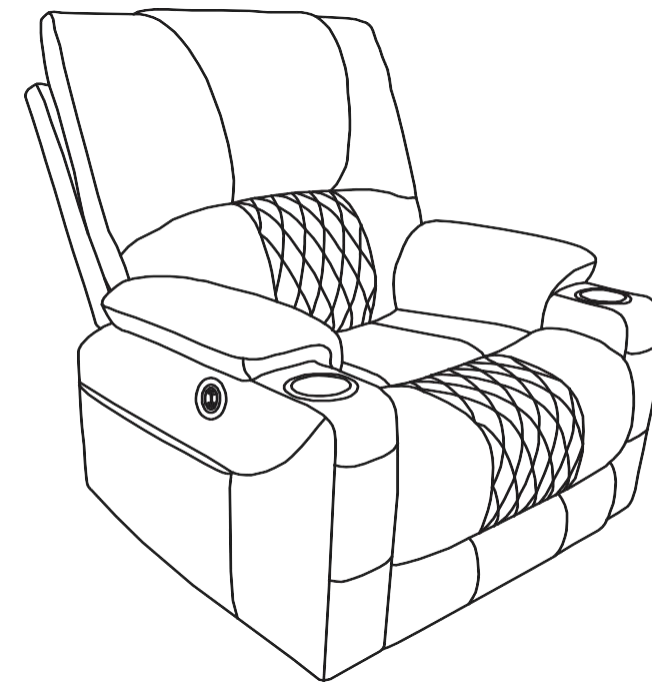
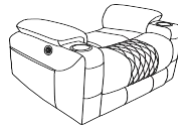

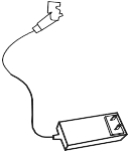
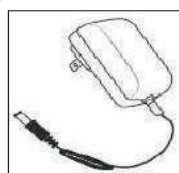

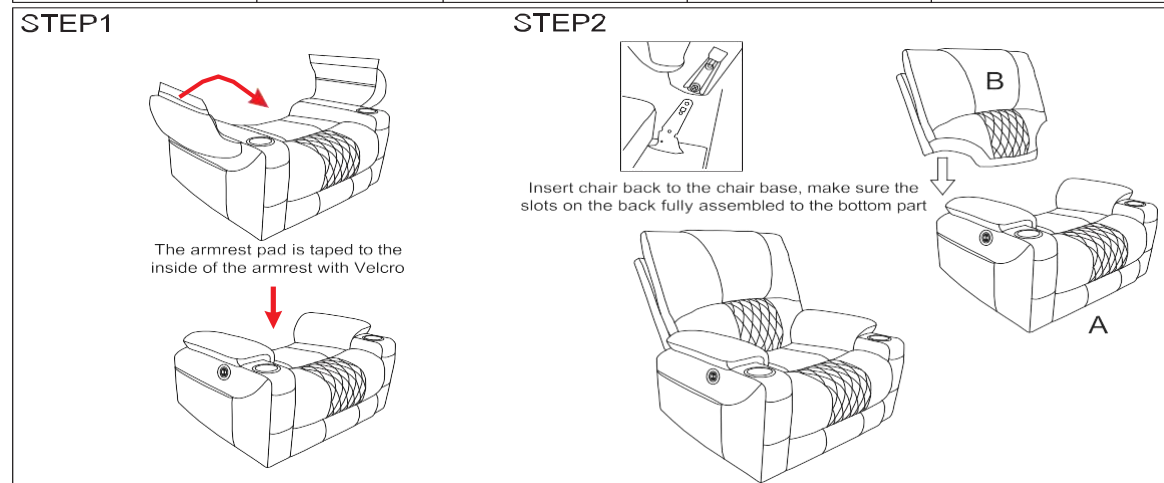


# Assembly Instruction



## Electric Lift Chair Assembly Instruction

A 	B 	C 	D 	E 
Chair base	Backrest	Power source	Power cord	Remote control



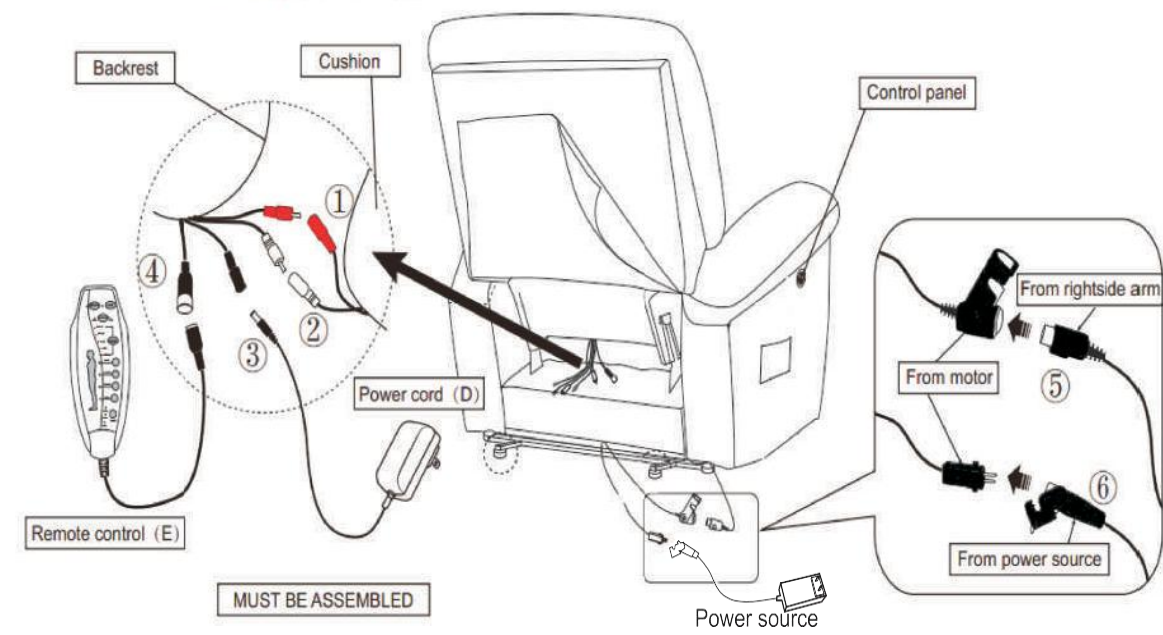
2

### STEP3

No.1 and No.2 wire connect with the backrest and chair base.  
 No.3 wire connects with backrest and power cord(D).  
 No.4 wire connects with backrest and remote control(E).  
 No.5 wire connect the motor and the wire from rightside armrest, which use to connect the control panel.  
 No.6 wire connect the motor and power source (F).

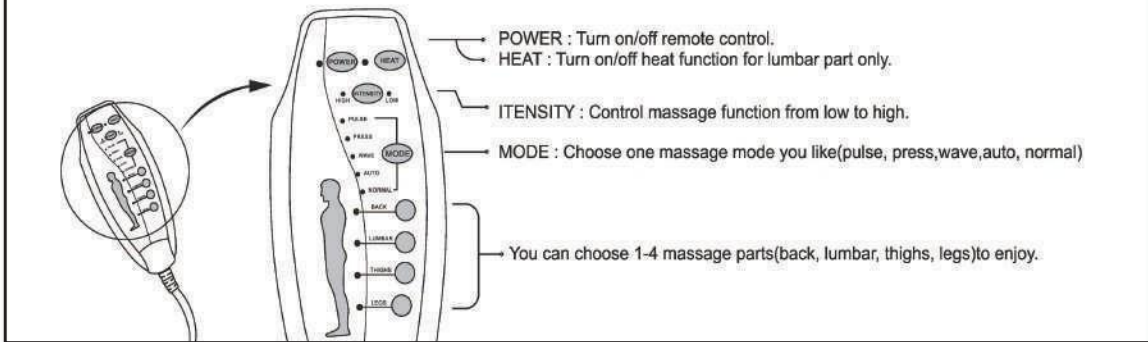
#### NOTE

1: Two same color wires connect.  
 2: Plug power cord and power source into outlet, then you can use all function.



3

### How to use remote control?

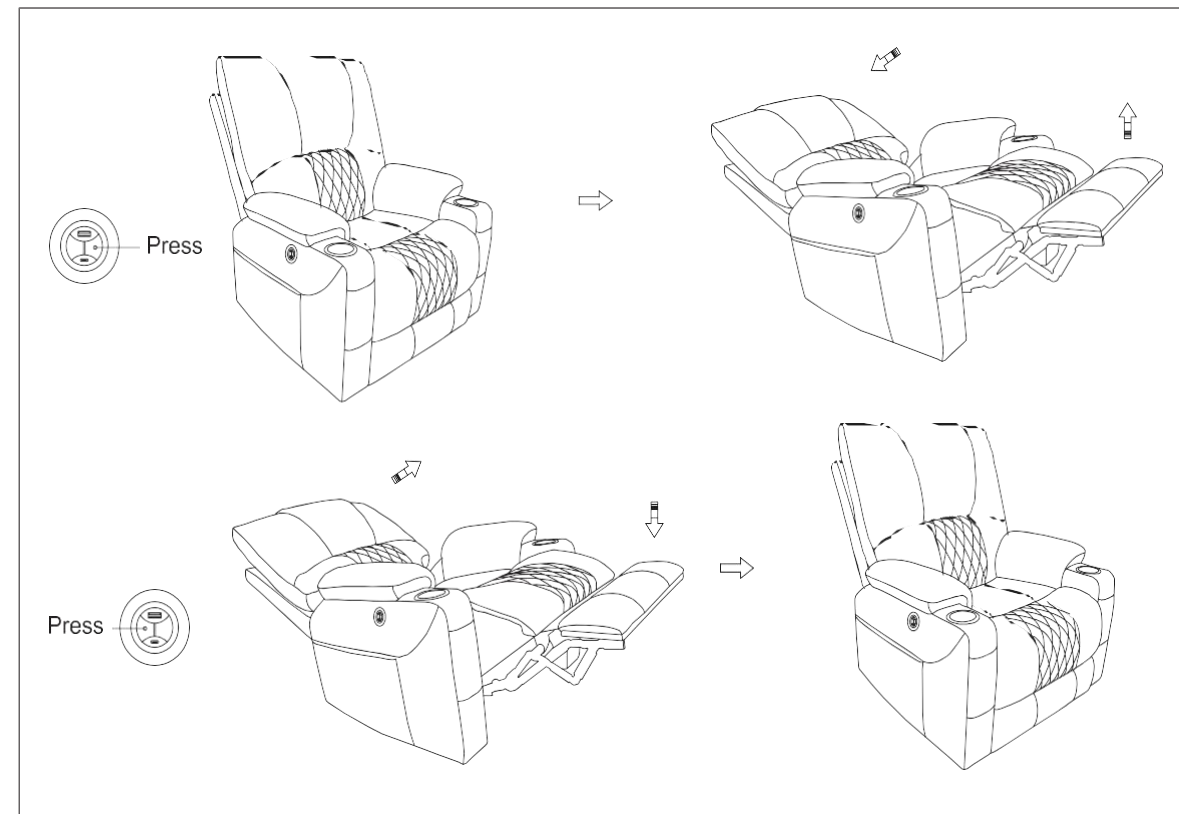


### How to use control panel that outside of right armrest?

Control panel is for chair lift and reclining function, also has dual USB outlets (5V2A+Type C) that keep your devices charging, such as nearly all smartphone(like iPhone, Samsung..), ipad, headphones, Kindle...



4



5